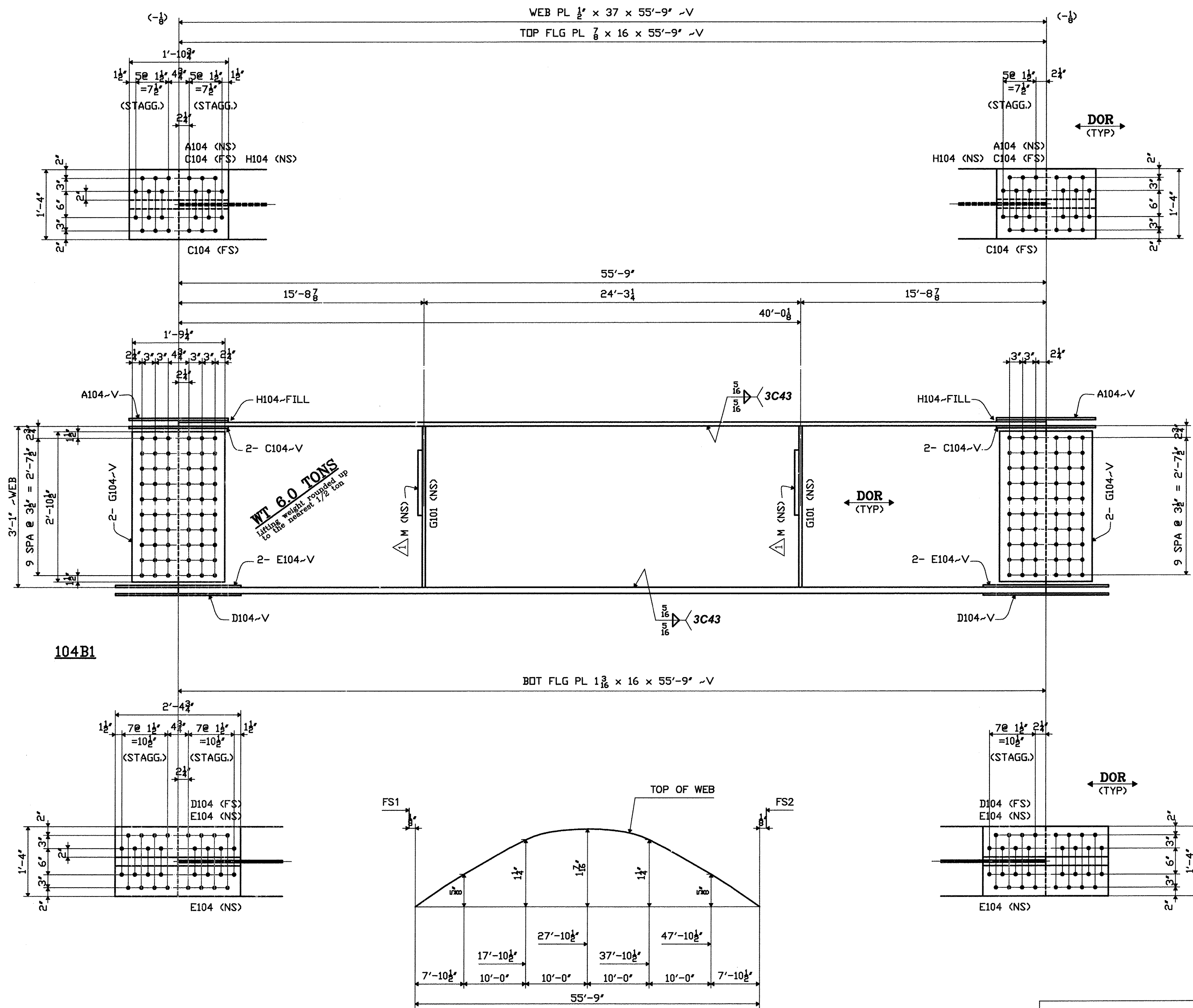


FS1

FS2

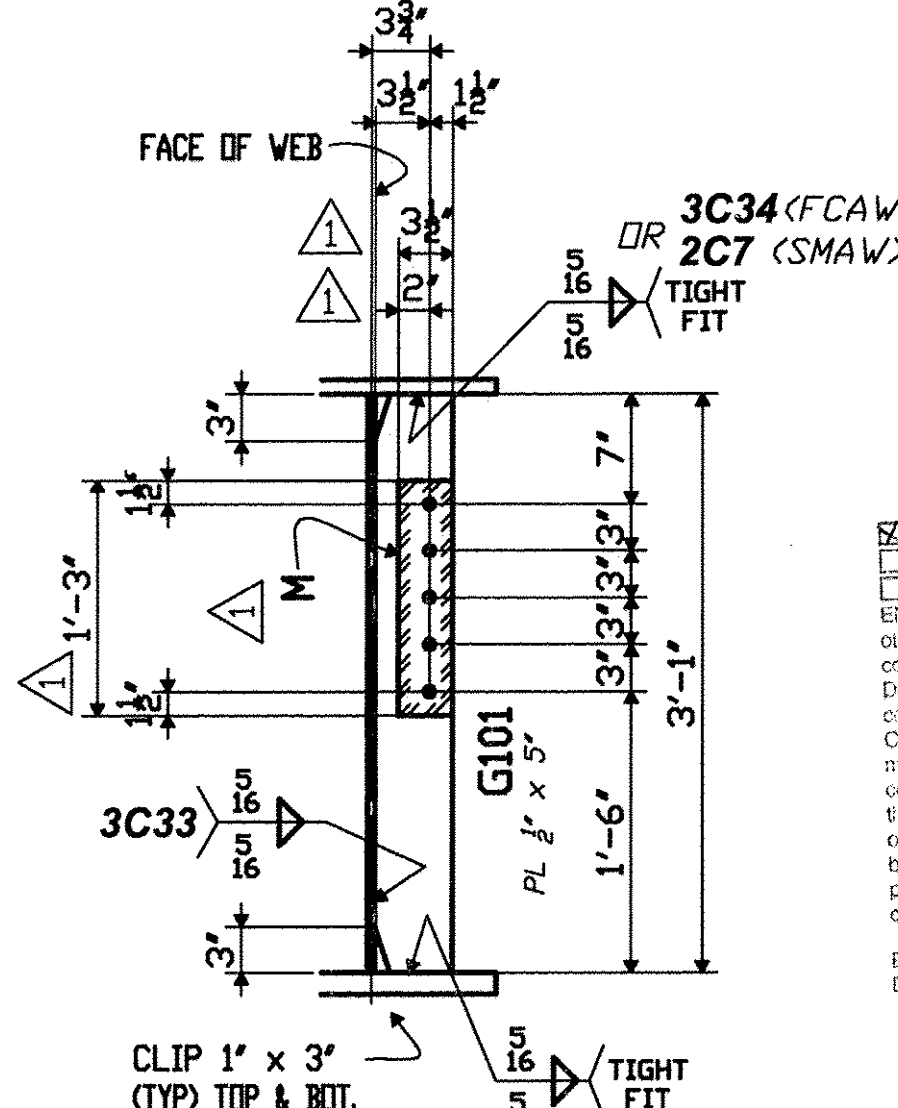


SHOP BILL

LINE NO.	SHIPPING LIST		PCS	DESCRIPTION	LENGTH	ASSEMBLY	REMARKS	MTRL. SPEC.	MATERIAL APPLICATION	
	NO.	MARK							FEET	INCHES
1	1	104B1		PLATE GIRDER						
2	1		1	PL $\frac{7}{8}$ x 16	55	9	TFB1	V	M270-50W	6015NH 5
3	1		1	PL $1\frac{3}{8}$ x 16	55	9	BFB1	V	M270-50W	6015NH 2
4	1		1	PL $\frac{1}{2}$ x 37	55	9	WB1	V	M270-50W	6015NH 8
5										
6										
7			2	PL $\frac{1}{2}$ x 16	1	10 $\frac{3}{4}$	A104	V	M270-50W	6016NH 4
8			4	PL $\frac{1}{2}$ x 7	1	10 $\frac{3}{4}$	C104	V	M270-50W	6016NH 4
9			2	PL $\frac{3}{4}$ x 16	2	4 $\frac{3}{4}$	D104	V	M270-50W	6016NH 2
10			4	PL $\frac{3}{4}$ x 7	2	4 $\frac{3}{4}$	E104	V	M270-50W	6016NH 2
11			4	PL $\frac{3}{8}$ x 34 $\frac{1}{2}$	1	9 $\frac{1}{4}$	G104	V	M270-50W	SHN
12			2	PL $\frac{5}{16}$ x 16	0	11 $\frac{1}{4}$	H104		M270-50W	SHN
13										
14			8	F BOLT	$\frac{7}{8}$	0	3 $\frac{1}{2}$		SHIPPING BOLTS A307	PS6331 2
15			8	F BOLT	$\frac{7}{8}$	0	4		SHIPPING BOLTS A307	PS6331 3
16			4	F BOLT	$\frac{7}{8}$	0	2 $\frac{1}{2}$		SHIPPING BOLTS A307	PS6331 1
17										
18			2	PL $\frac{1}{2}$ x 5	3	1	G101	TF-2E	M270-50W	6016NH 4
19										
20			2	PL 1 x 3 $\frac{1}{2}$	1	3	M	TF-2E	M270-50W	SHN
21			4	F BOLT	$\frac{7}{8}$	0	2 $\frac{3}{4}$		SHIPPING BOLTS A307	REQ
22										
23										
24										
25										

DOMESTIC MATERIAL

SEE HN101 FOR FABRICATION NOTES



TVGA CONSULTANTS

NO EXCEPTIONS TAKEN
 PURNISH AS CORRECTED
 REWSE AND RESUBMIT
 ENGINEER has reviewed Shop Drawings and Samples and other data which Contractor is furnished to submit, only for compliance with the information given in the Contract Documents and compatibility with the design concept of the Consultant. Such review does not constitute an endorsement, approval, or guarantee of the work or construction. Contractor is responsible for the construction of the work and for the safety of the work. The Consultant is not responsible for the construction of the work and for the safety of the work.

DATE: 5/16/2010

PROJECT No: ACIM 091-(33)
 STA. 22+47.71 TO STA. 25+05.93
 BRIDGE No. 3S (SOUTHBOUND)
 TOWN OF GUILFORD

FABRICATED BY: NASH
 HOLES: $\frac{15}{16}$ " SHOP FASTENERS
 SHOP PAINT: NONE
 SHOP INSPECTION:
 GENERAL NOTES:

ORDER NO. 08-18537H32
 DETAILS OF PL GIRDER - SPAN B
 LINE 1
 PROJECT I-91 OVER BROAD BROOK AND BROAD BROOK ROAD
 LOCATION WINDHAM COUNTY, VT
 CUSTOMER MEC CONSTRUCTION

DATE	NO.	BY	REVISIONS
04/28/10	R1	PDC/SB	REVISED TO AS-BUILT. ADDED PL "M"

MADE BY: GM
 CHECKED BY: PDC/SB
 SOUND LEADER Precision Drafting Co. Inc.
 DATE: 09-08
 SHEET: HF104