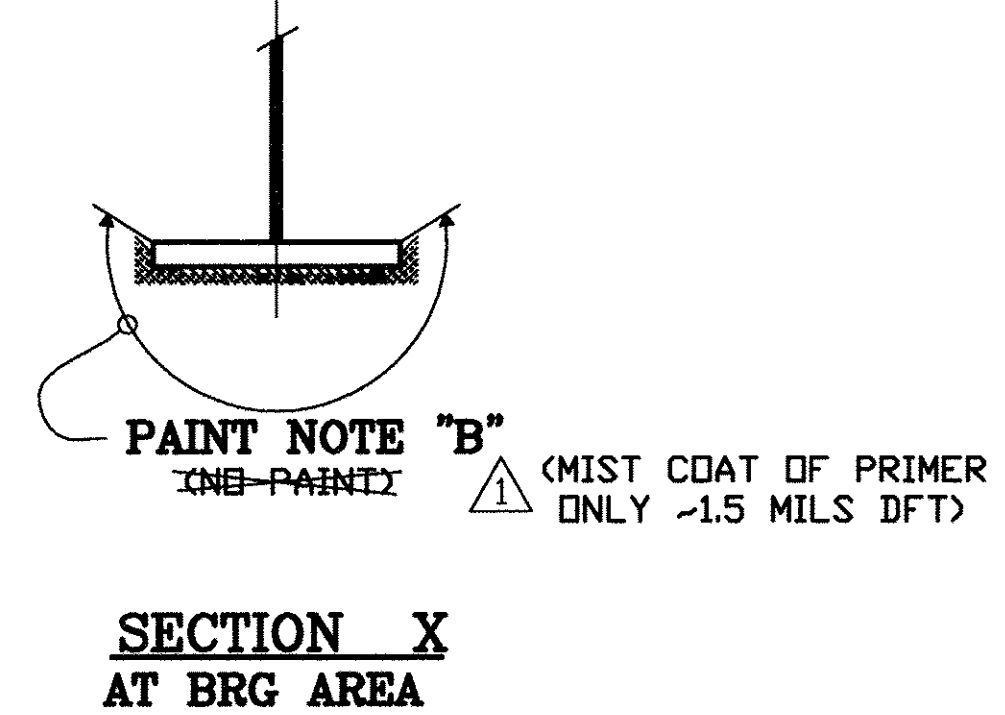
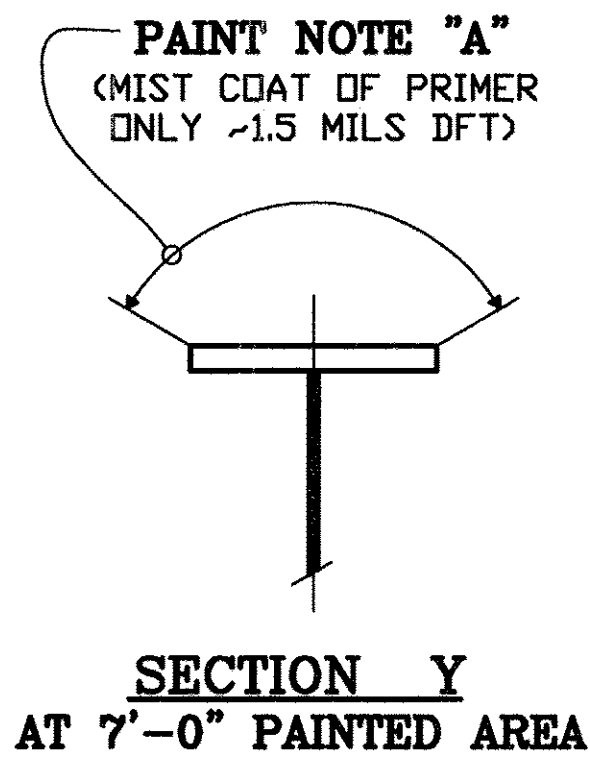


103AB5



DOR - DENOTES DIRECTION OF ROLLING

TVGA CONSULTANTS

NO EXCEPTIONS TAKEN REJECTED
 FINISH AS CORRECTED
 REVISE AND RESUBMIT

ENGINEER has reviewed Shop Drawings and Sampled and other data which Contractor is required to submit only for compliance with the information given in the Contract Documents and compliance with the design concept of the completed Project as a function of the design of the Contract Documents. Such review does not extend to means, methods, techniques, sequences or procedures of construction or to safety practices and programs initiated or implemented by the Contractor. Contractor is responsible for dimensions to be furnished and coordination of the job site for information that pertains solely to the fabrication processes or to techniques of construction, and for coordination of the work of all trades.

DATE: *10/20/08*

PROJECT No: ACIM 091-1(33)
 STA. 22+47.71 TO STA. 25+05.93
 BRIDGE No. 3S (SOUTHBOUND)
 TOWN OF GUILDFORD

FABRICATED BY NASH		
HOLES - 1 5/8"	SHOP FASTENERS	
SHOP PAINT	PARTIAL PAINT PER HNI01 & AS NOTED	
SHOP INSPECTION	WORK THIS SHEET w/HF103B	
GENERAL NOTES		
DATE	NO.	BY
07/06/09	R1	PDC/SB
REMOVED HATCHED AREA & ADDED NOTES		

ORDER NO.	08-18537H32
DETAILS OF	PL GIRDER - SPAN AB
LINE	5
PROJECT	I-91 OVER BROAD BROOK AND BROAD BROOK ROAD
LOCATION	WINDHAM COUNTY, VT
CUSTOMER	MEC CONSTRUCTION
CAROLINA STEEL GROUP, LLC.	
MADE BY	GM
CHECKED BY	PDC/SB
SOUND LEADER	Preese Drifflin Co. Inc.
DATE	09-08
SHEET	HF103A