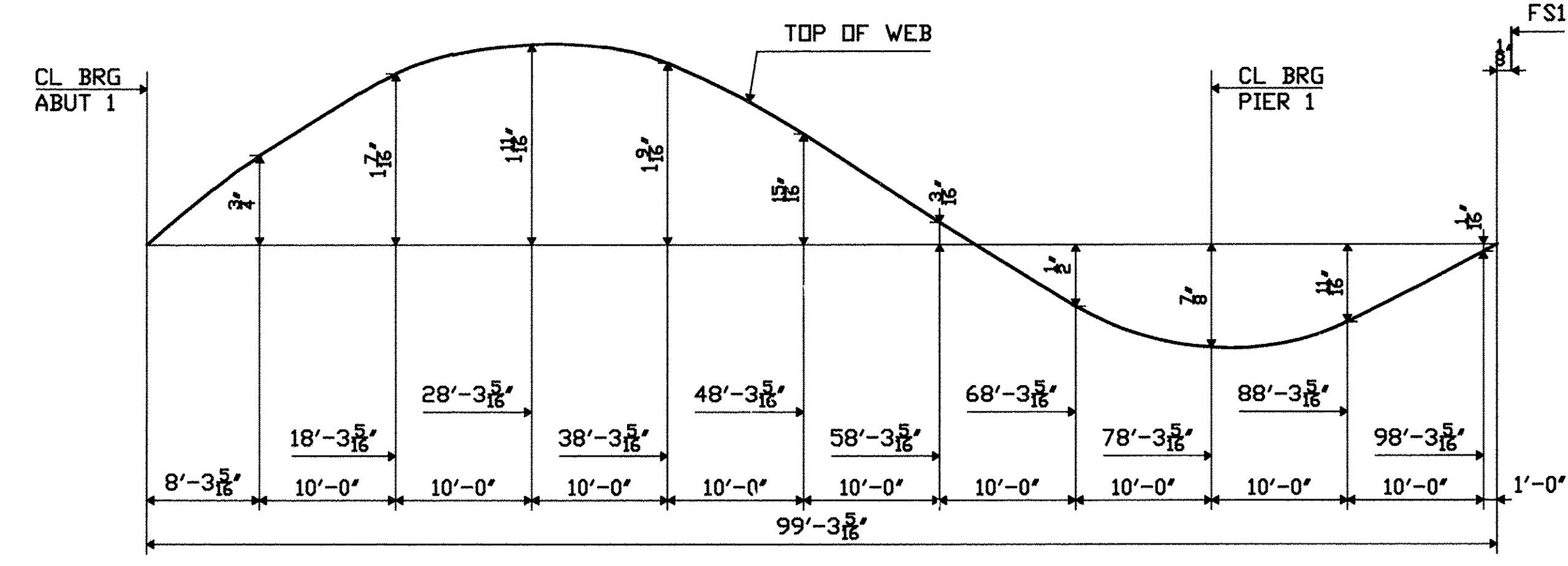
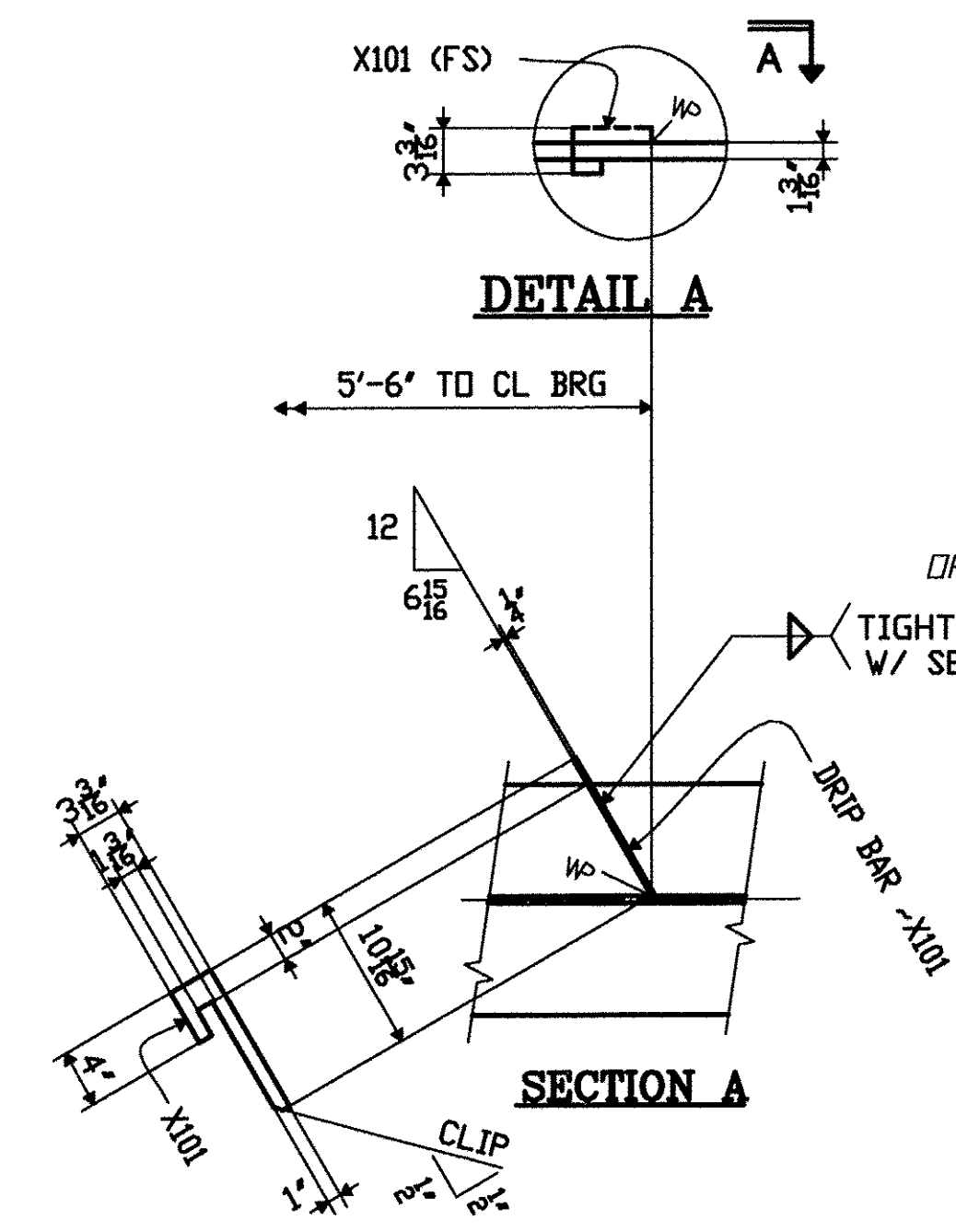
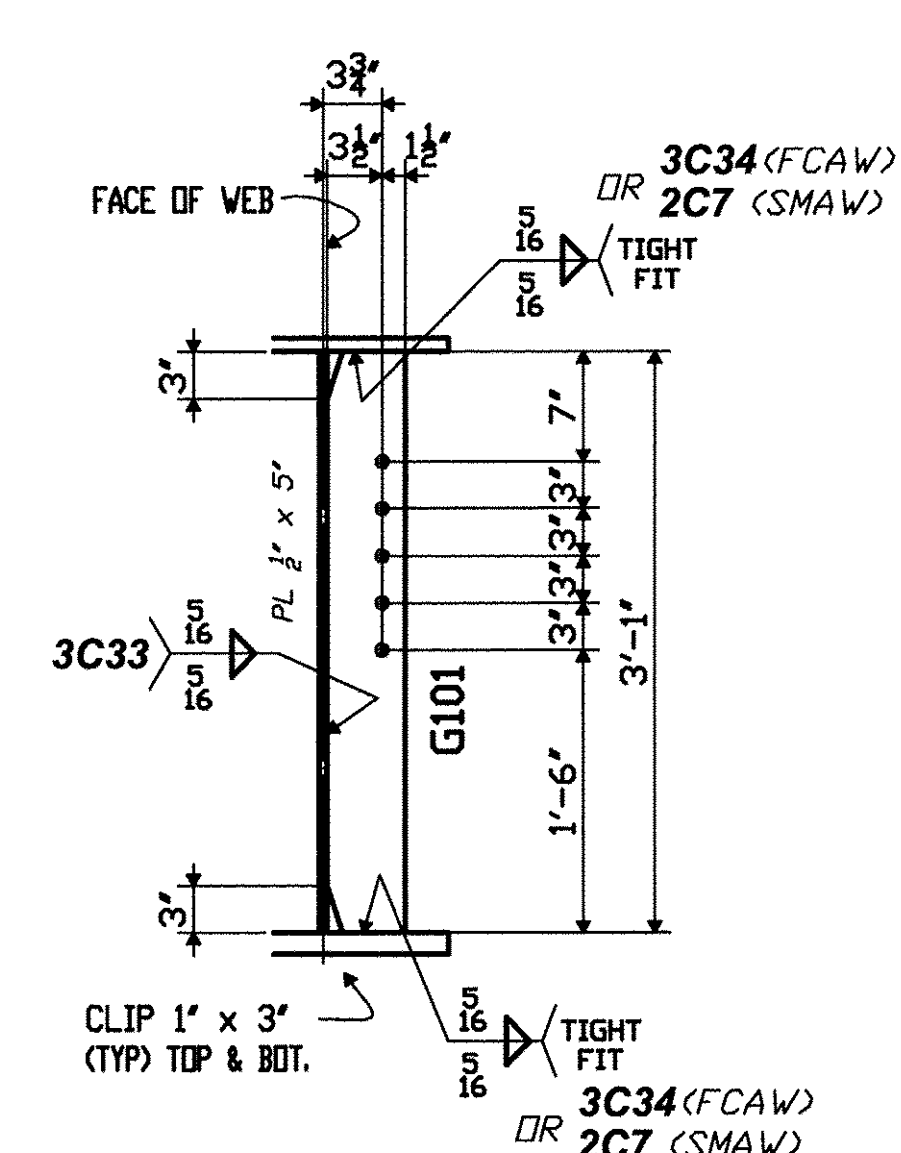


**PAINT NOTE "C"**  
 AREA SHOWN THUS  
 DENOTES FAYING SURFACE.  
 APPLY PRIMER ONLY (CS)  
 (CS) DENOTES 'CONTACT SURFACE'



CAMBER DIAGRAM

SHOP BILL

LINE NO.	SHIPPING LIST		DESCRIPTION	LENGTH	ASSEMBLY MARK	REMARKS	MTRL. SPEC.	MATERIAL APPLICATION				
	NO. POS.	MARK						FEET	INCHES	P.O. NO.	LINE NO.	LENGTH
1	1	101AB1	PLATE GIRDER									
2	1		PL 7/8 x 16	58	6 7/16	TFAB1 V	M270-50W	6015NH	4			
3	1		PL 1 3/16 x 16	41	5 7/8	TFAB2 V	M270-50W	6015NH	3			
4	1		PL 1 3/16 x 16	58	7 1/2	BFAB1 V	M270-50W	6015NH	1			
5	1		PL 1 3/16 x 16	41	5 7/8	BFAB2 V	M270-50W	6015NH	3			
6	1		PL 1/2 x 37	34	4 3/16	WAB1 V	M270-50W	6015NH	9			
7	1		PL 1/2 x 37	65	9	WAB2 V	M270-50W	6015NH	7			
8												
9												
10	1		PL 7/8 x 7 3/4	2	9	A101	FIN-2E	M270-50W	6016NH	1		
11	1		PL 7/8 x 7 3/4	2	9	C101	FIN-2E	M270-50W	6016NH	1		
12	1		PL 7/8 x 7 3/4	3	1	D101	FIN-2E	M270-50W	6016NH	1		
13	1		PL 7/8 x 7 3/4	3	1	E101	FIN-2E	M270-50W	6016NH	1		
14	5		PL 1/2 x 5	3	1	G101	TF-2E	M270-50W	6016NH	4		
15												
16	1		BAR 1/4 x 3 3/16	0	10 11/16	X101		M270-50W	SHN			
17												
18												
19												
20												
21												
22												
23												
24												
25												
DOMESTIC MATERIAL												

SEE HN101 FOR FABRICATION NOTES

TVGA CONSULTANTS

NO EXCEPTIONS TAKEN  
 REJECTED  
 FURNISH AS CORRECTED  
 REVISE AND RESUBMIT  
 ENGINEER has reviewed Shop Drawings and Samples and other data which Contractor is required to submit, only for conformance with the information given in the Contract Documents and compatibility with the design shown in the completed Plans; as a function which is not intended to constitute a warranty, nor a representation or program incident thereto. Such review does not extend to any LEED certification or other certification. Contractor is responsible for dimensions to be confirmed and controlled at the job site, for information that is contained and controlled at the job site, for information that is contained and controlled at the job site, for information that is contained and controlled at the job site, for information that is contained and controlled at the job site.

FABRICATED BY NASH  
 HOLES 150 SHOP FASTENERS  
 SHOP PAINT PARTIAL PAINT PER HN101 & AS NOTED  
 SHOP INSPECTION  
 GENERAL NOTES WORK THIS SHEET W/HF101A

DATE	NO.	BY	REVISIONS
07/06/09	R1	PDC/SB	ADDED CONTACT SURFACE

PROJECT No: ACIM 091-1(33)  
 STA. 22+47.71 TO STA. 25+05.93  
 BRIDGE No. 3S (SOUTHBOUND)  
 TOWN OF GUILFORD

ORDER NO. 08-18537H32  
 DETAILS OF PL GIRDER - SPAN AB LINE 1  
 PROJECT I-91 OVER BROAD BROOK AND BROAD BROOK ROAD  
 LOCATION WINDHAM COUNTY, VT  
 CUSTOMER MEC CONSTRUCTION  
 CAROLINA STEEL GROUP, LLC.  
 MADE BY GM  
 CHECKED BY PDC/SB  
 SQUAD LEADER Precise Printing Co. Inc.  
 DATE 09-08  
 SHEET HF101B