

SHOP BILL

LINE NO.	SHIPPING LIST			DESCRIPTION	LENGTH	ASSEMBLY MARK	REMARKS	MTRL. SPEC.	MATERIAL APPLICATION	
	NO. POS.	MARK	PCS REQ'D						P.O. NO.	LINE NO.
1	1	9BC6		PLATE GIRDER						
3			1	PL 1 3/8 x 16	42 5/8	TFBC1	V	M270-50W	6014NH	3
4			1	PL 7/8 x 16	58 0/8	TFBC2	V	M270-50W	6014NH	4
5			1	PL 1 3/8 x 16	42 5/8	BFBC1	V	M270-50W	6014NH	3
6			1	PL 1 3/8 x 16	58 0	BFBC2	V	M270-50W	6014NH	1
7			1	PL 1/2 x 37	66 3	WBC1	V	M270-50W	6014NH	6
8			1	PL 1/2 x 37	34 3/4	WBC2	V	M270-50W	6014NH	8
9			1	PL 7/8 x 7 3/4	2 6	A7	FIN-2E	M270-50W	6016NH	1
11			1	PL 7/8 x 7 3/4	2 6	C7	FIN-2E	M270-50W	6016NH	1
12			1	PL 7/8 x 7 3/4	3 1	C1	FIN-2E	M270-50W	6016NH	1
13			1	PL 7/8 x 7 3/4	3 1	D1	FIN-2E	M270-50W	6016NH	1
14			5	PL 1/2 x 5	3 1	E1	TF-2E	M270-50W	6016NH	4
16			1	BAR 1/4 x 3 3/8	0 10 15/16	X1		M270-50W	SHN	
DOMESTIC MATERIAL										

SEE HN1 FOR FABRICATION NOTES

TVGA CONSULTANTS

NO EXCEPTIONS TAKEN REJECTED
 FURNISH AS CORRECTED
 REVISE AND RESUBMIT
 ENGINEER has reviewed Shop Drawings and Samples and conforms with the information given in the Contract Documents and complies with the design concept of the Contract Documents. Such reviews do not extend to means, methods, techniques, sequences or procedures of construction or to safety precautions and programs incident or applicable to any LEED certification or requirements. Contractor is responsible for dimensions to be confirmed and controlled at the job site for information that conditions and for coordination of the work of all trades.

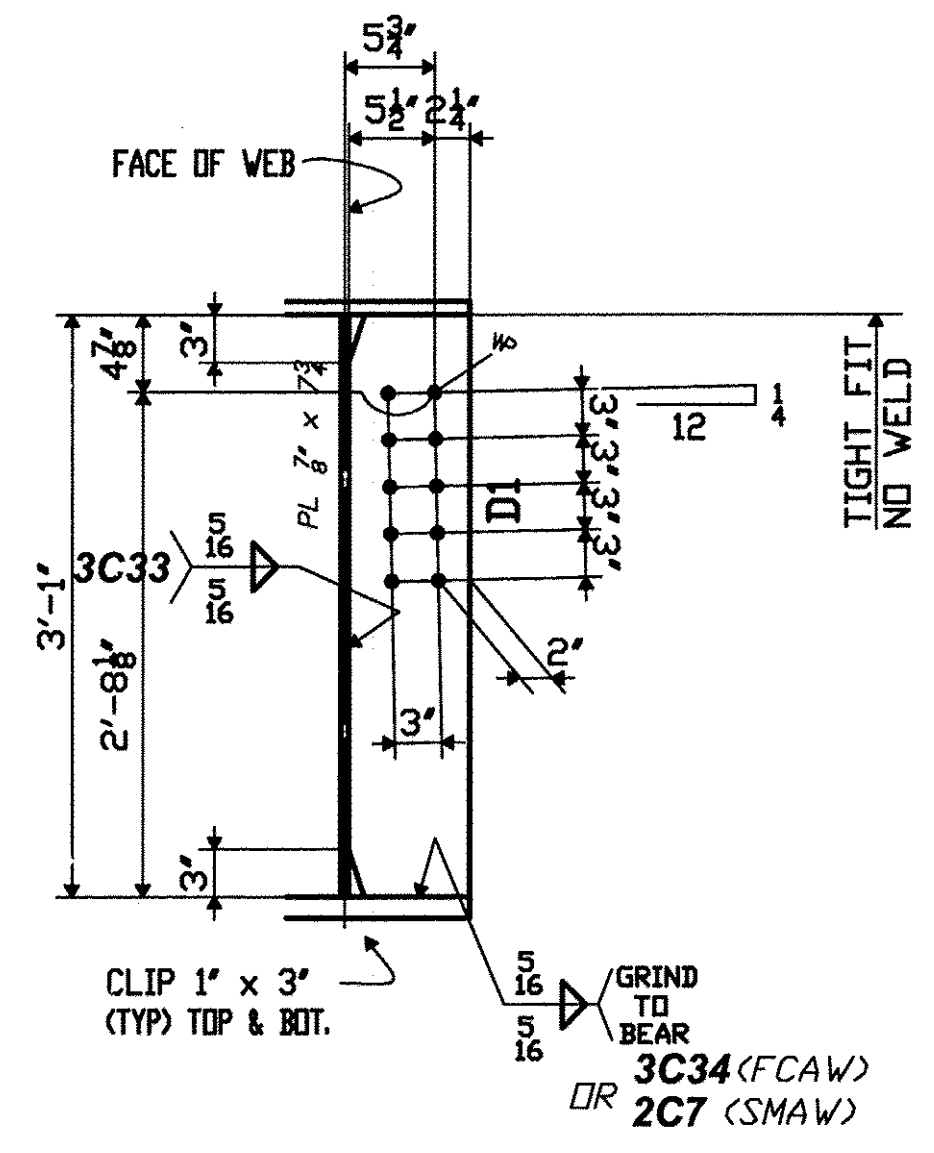
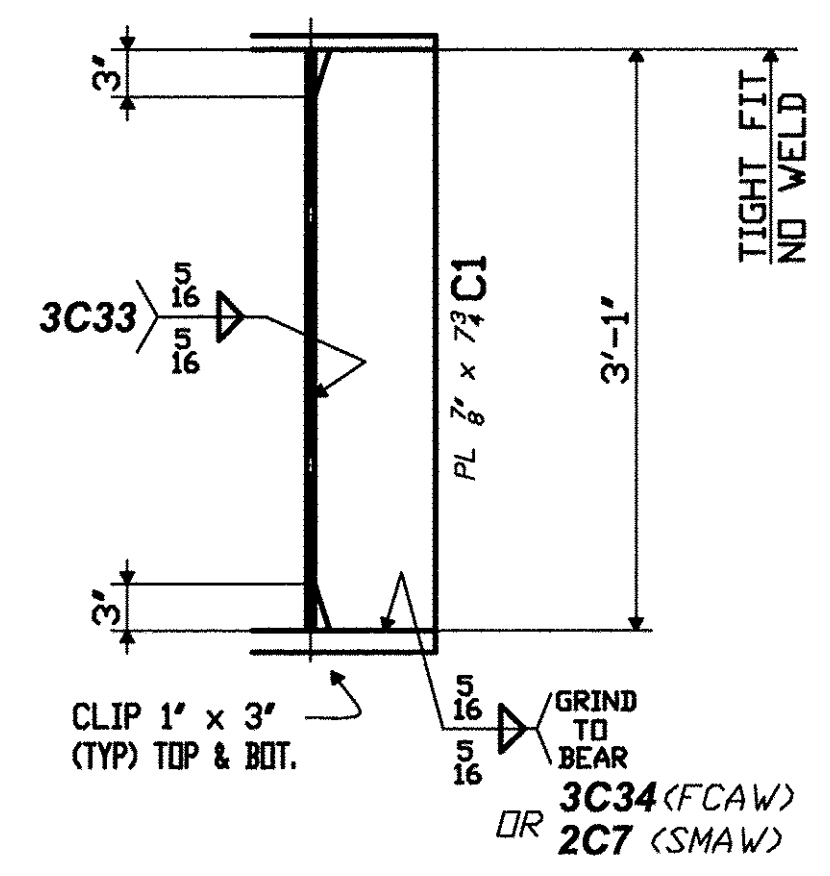
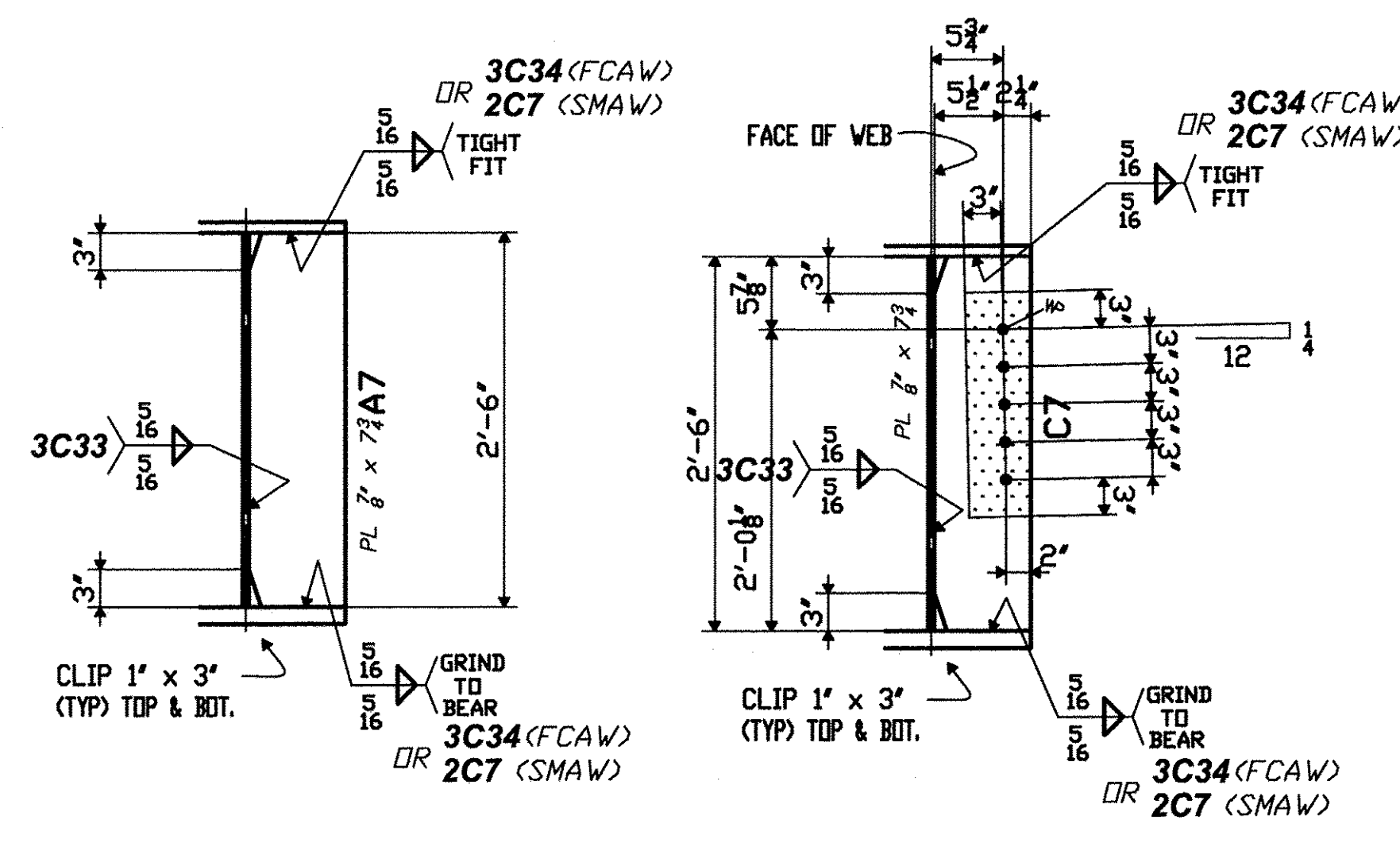
BY: *AW/CLL*
 DATE: 7/27/2009

PROJECT No: ACIM 091-1(33)
 STA. 22+69.92 TO STA. 25+28.14
 BRIDGE No. 3N (NORTHBOUND)
 TOWN OF GUILDFORD

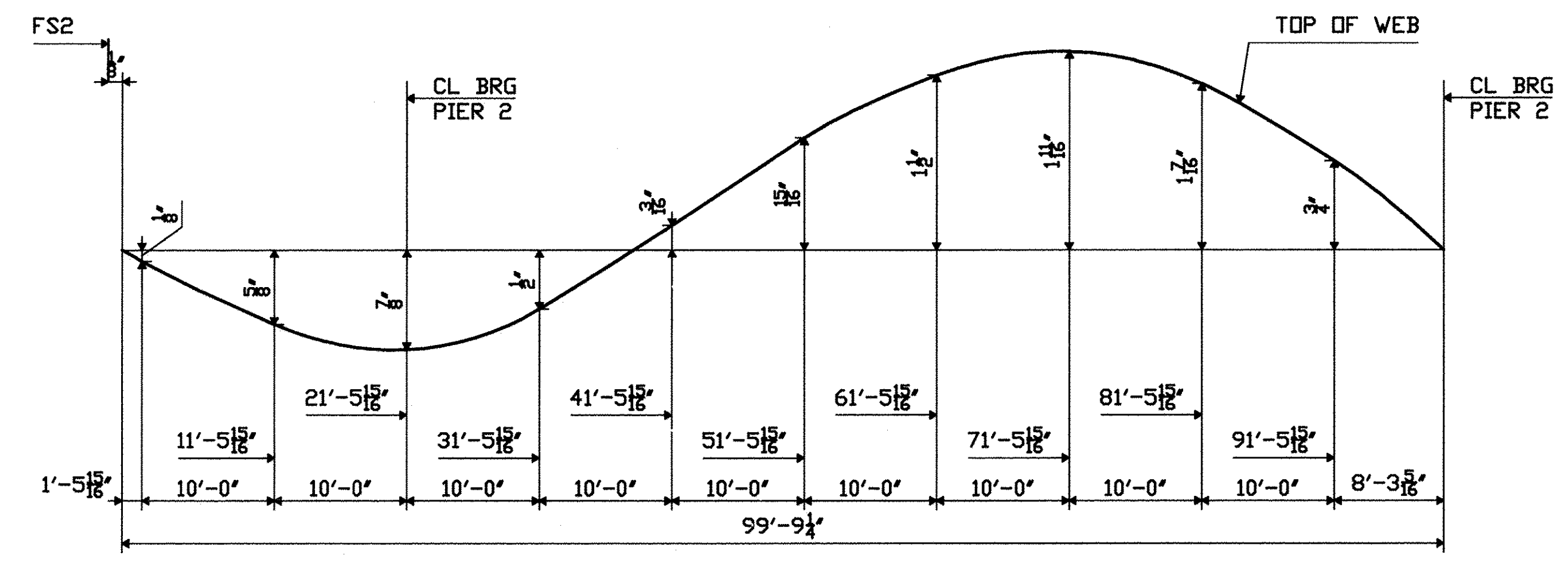
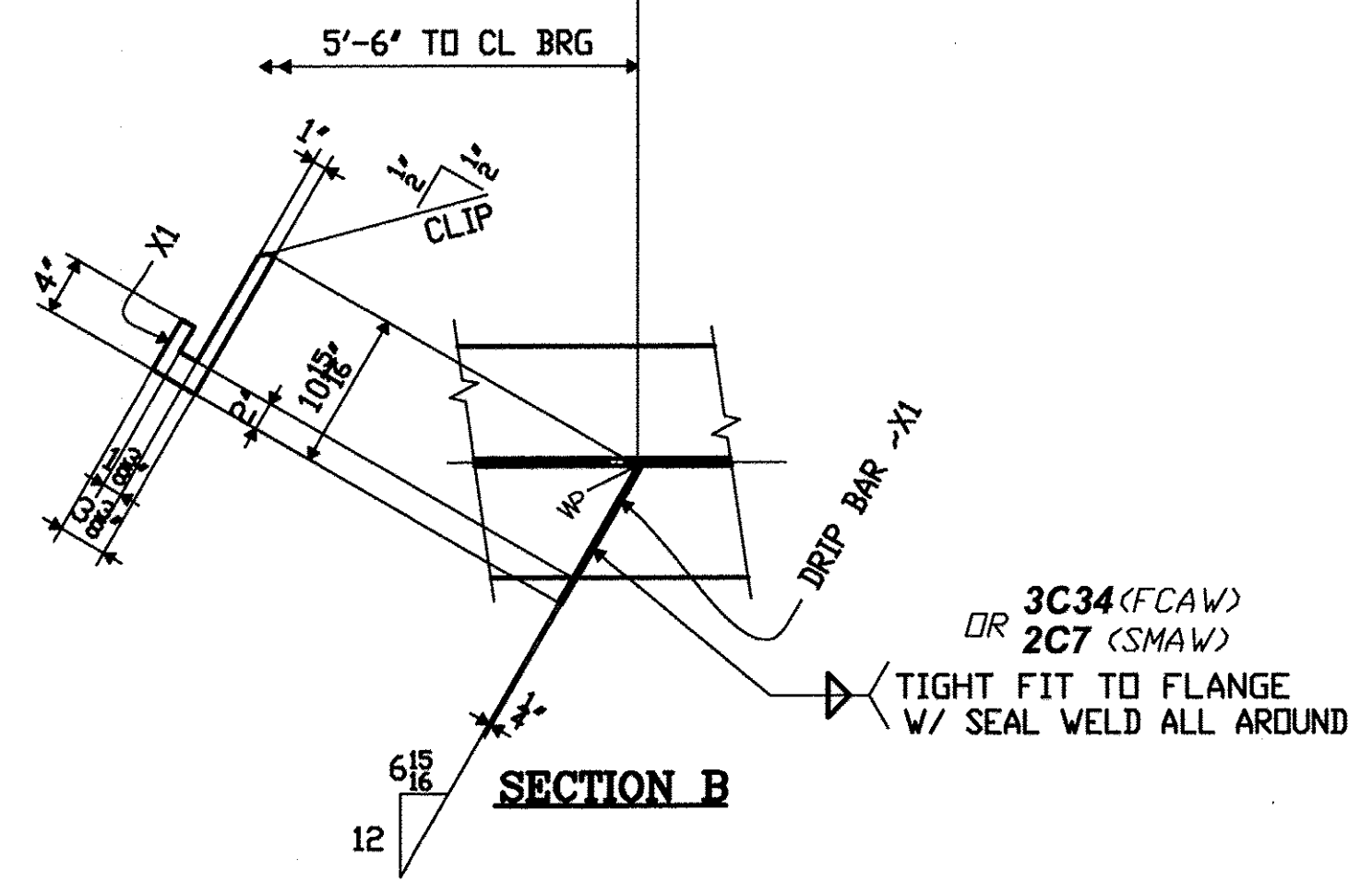
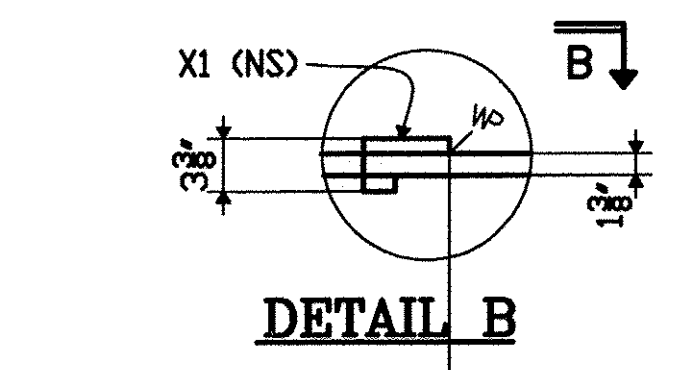
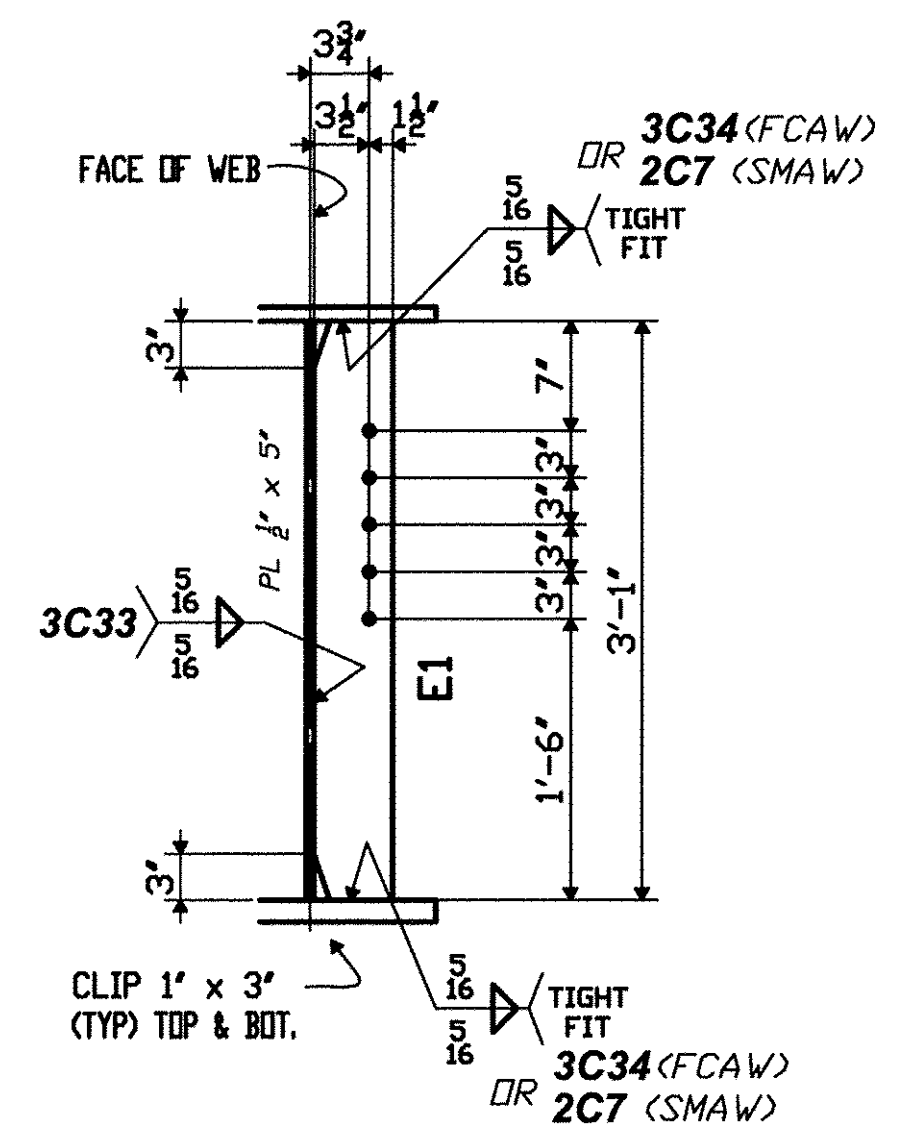
FABRICATED BY: COLFAX
 HOLES: 15/16" SHOP FASTENERS
 SHOP PAINT: PARTIAL PAINT PER HN1 & AS NOTED
 SHOP INSPECTION: WORK THIS SHEET w/HF9A
 GENERAL NOTES: WORK THIS SHEET w/HF9A

ORDER NO.	08-18537H22
DETAILS OF	PL GIRDER - SPAN BC
LINE	6
PROJECT	I-91 OVER BROAD BROOK AND BROAD BROOK ROAD
LOCATION	WINDHAM COUNTY, VT
CUSTOMER	MEC CONSTRUCTION
CAROLINA STEEL GROUP, LLC.	
MADE BY	GM
CHECKED BY	PDC/SB
SOUND LEADER	Precede Welding Co. Inc.
DATE	09-08
SHEET	HF9B

REVISIONS			
DATE	NO.	BY	DESCRIPTION
07/08/09	R1	PDC/SB	ADDED CONTACT SURFACE



PAINT NOTE "C"
 AREA SHOWN THUS DENOTES FAYING SURFACE. APPLY PRIMER ONLY (CS) (CS)
 (CS) DENOTES 'CONTACT SURFACE'



CAMBER DIAGRAM