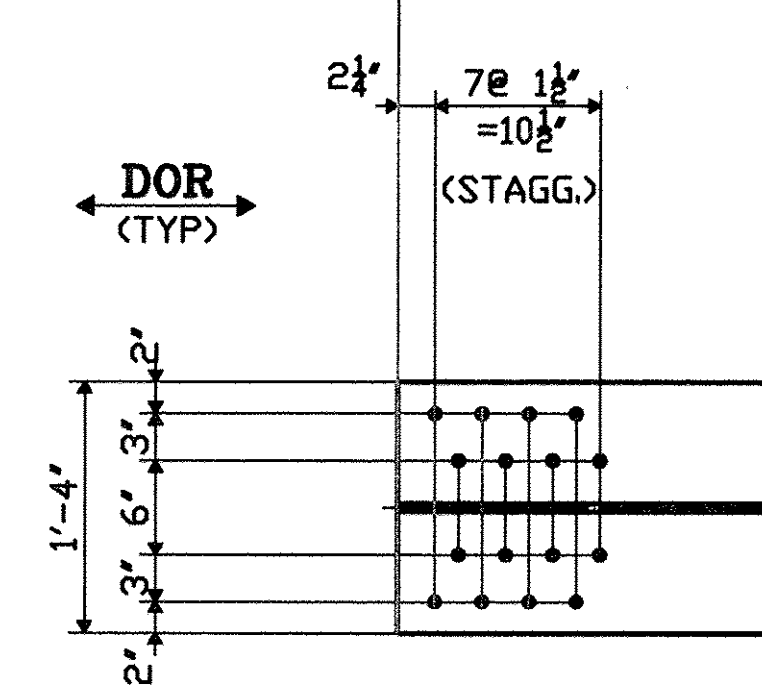
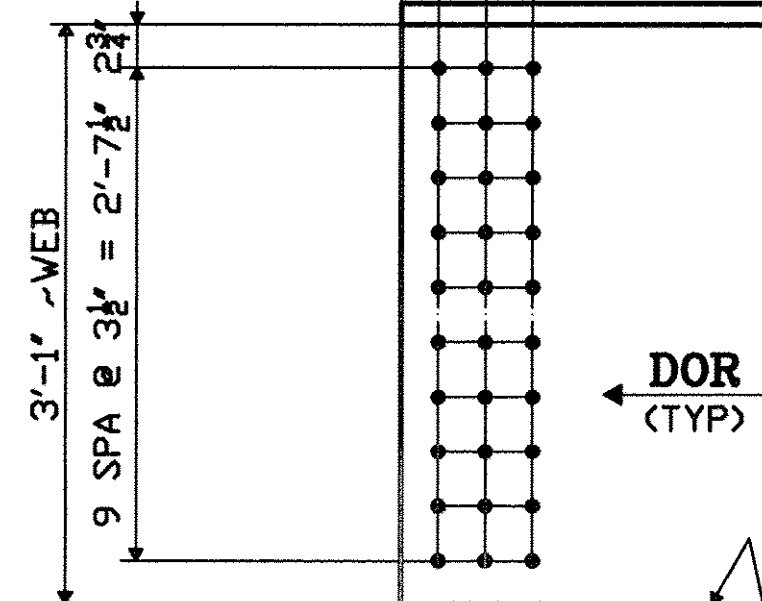


PAINT NOTE "A"
 (MIST COAT OF PRIMER ONLY ~1.5 MILS DFT)

SECTION Y
 AT 7'-0" PAINTED AREA



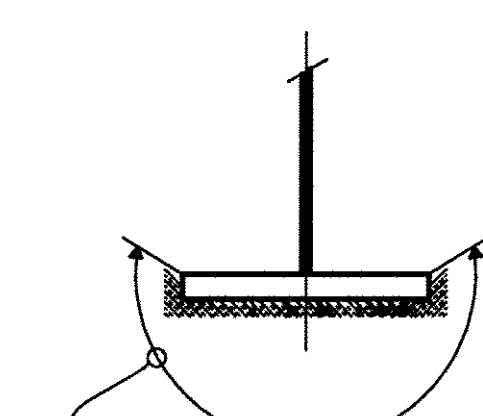
WT 10.0 TONS
 Lifting weight rounded up to the nearest 1/2 ton

PAINT NOTE "A"

TVGA CONSULTANTS

NO EXCEPTIONS TAKEN REJECTED
 FURNISH AS CORRECTED
 REVISE AND RESUBMIT
 ENGINEER has reviewed Shop Drawings and Samples and other data which Contractor is required to submit, only for conformance with the information given in the Contract Documents and compliance with the design concept of the Contract Documents. Such review shall extend to materials, methods, techniques, sequences or procedures of construction or to safety precautions and programs incident thereto. Such review does not extend to any LEED certification or accreditation. Contractor is responsible for dimensions to be controlled and coordinated at the job site for information that pertains solely to the fabrication process or to techniques of construction and for coordination of the work of all trades.
 BY: *Chad*
 DATE: 7/2/2009

DOR - DENOTES DIRECTION OF ROLLING



PAINT NOTE "B"
 (NO PAINT) (MIST COAT OF PRIMER ONLY ~1.5 MILS DFT)

SECTION X
 AT BRG AREA

FABRICATED BY COLFAX
 HOLES - 12" SHIP FASTENERS
 SHOP PAINT PARTIAL PAINT PER HNI & AS NOTED
 SHOP INSPECTION WORK THIS SHEET w/HF7B
 GENERAL NOTES

DATE	NO.	BY	REVISIONS
07/06/09	R1	PDC/SB	REMOVED HATCHED AREA & ADDED NOTES

PROJECT No: ACIM 091-1(33)
 STA. 22+69.92 TO STA. 25+28.14
 BRIDGE No. 3N (NORTHBOUND)
 TOWN OF GUILFORD

ORDER NO. 08-18537H22
 DETAILS OF PL GIRDER - SPAN BC
 LINE 1
 PROJECT I-91 OVER BROAD BROOK AND BROAD BROOK ROAD
 LOCATION WINDHAM COUNTY, VT
 CUSTOMER MEC CONSTRUCTION

CAROLINA STEEL GROUP, LLC.
 MADE BY GM
 CHECKED BY PDC/SB
 SOUND LEADER Precision Drafting Co., Inc.
 DATE 09-08
 SHEET HF7A