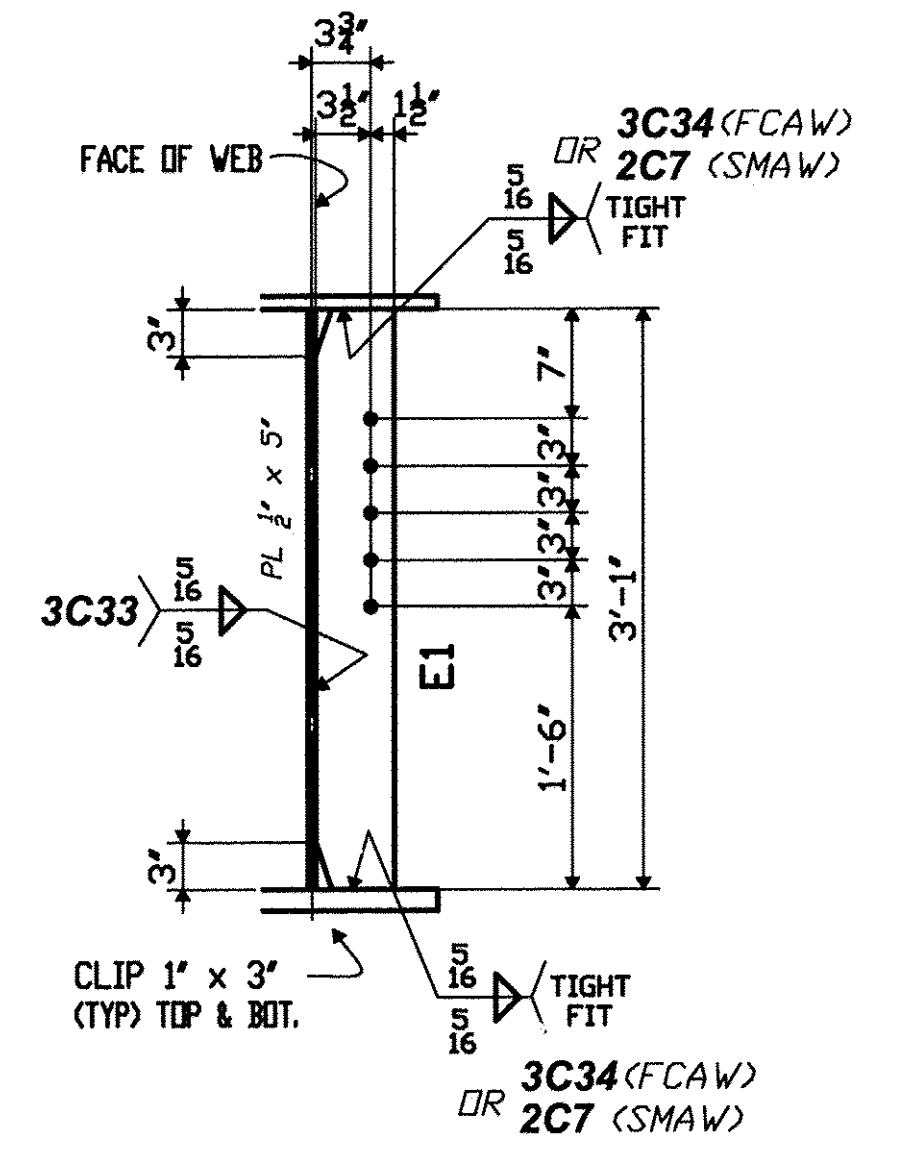


SHOP BILL

| LINE NO. | SHIPPING LIST | | DESCRIPTION | LENGTH | ASSEMBLY MARK | REMARKS | MTRL. SPEC. | MATERIAL APPLICATION | |
|----------|---------------|--------|-----------------|--------|---------------|----------------|-------------|----------------------|--------|
| | NO. PCS | MARK | | | | | | P.O. NO. | LENGTH |
| 1 | | | | | | | | | |
| 2 | 1 | 6B6 | PLATE GIRDER | | | | | | |
| 3 | 1 | | PL 7/8 x 16 | 54 | 9 | TFB1 V | M270-50W | 6014NH | 5 |
| 4 | 1 | | PL 1 3/8 x 16 | 54 | 9 | BFB1 V | M270-50W | 6014NH | 2 |
| 5 | 1 | | PL 1/2 x 37 | 54 | 9 | WB1 V | M270-50W | 6014NH | 7 |
| 6 | | | | | | | | | |
| 7 | 2 | | PL 1/2 x 16 | 1 | 10 3/4 | A4 V | M270-50W | 6016NH | 4 |
| 8 | 4 | | PL 1/2 x 7 | 1 | 10 3/4 | C4 V | M270-50W | 6016NH | 4 |
| 9 | 2 | | PL 3/4 x 16 | 2 | 4 3/4 | D4 V | M270-50W | 6016NH | 2 |
| 10 | 4 | | PL 3/4 x 7 | 2 | 4 3/4 | E4 V | M270-50W | 6016NH | 2 |
| 11 | 4 | | PL 3/8 x 34 1/2 | 1 | 9 1/4 | G4 V | M270-50W | SHN | |
| 12 | 2 | | PL 1/2 x 16 | 0 | 11 1/4 | H4 | M270-50W | 6016NH | 4 |
| 13 | | | | | | | | | |
| 14 | 8 | F BOLT | 7/8 | 0 | 3 1/2 | SHIPPING BOLTS | A307 | PS6329 | 2 |
| 15 | 8 | F BOLT | 7/8 | 0 | 4 | SHIPPING BOLTS | A307 | PS6329 | 3 |
| 16 | 4 | F BOLT | 7/8 | 0 | 2 1/2 | SHIPPING BOLTS | A307 | PS6329 | 1 |
| 17 | | | | | | | | | |
| 18 | 2 | PL | 1/2 x 5 | 3 | 1 | E1 TF-2E | M270-50W | 6016NH | 4 |
| 19 | | | | | | | | | |
| 20 | | | | | | | | | |
| 21 | | | | | | | | | |
| 22 | | | | | | | | | |
| 23 | | | | | | | | | |
| 24 | | | | | | | | | |
| 25 | | | | | | | | | |

DOMESTIC MATERIAL

SEE HN1 FOR FABRICATION NOTES



TVGA CONSULTANTS

NO EXCEPTIONS TAKEN REJECTED
 FURNISH AS CORRECTED
 REVISE AND RESUBMIT

ENGINEER has reviewed Shop Drawings and Samples and other data which Contractor is required to submit, 2009 for conformance with the information given in the Contract Documents. Such reviews do not extend to means, methods, techniques, sequences or procedures of construction or to safety precautions and programs incident thereto. Such reviews do not extend to any LEED certification or accreditation. Contractor is responsible for dimensions to be confirmed and correlated at the job site for information that pertains safety to the fabrication processes or to techniques of construction and for coordination of the work of all trades.

BY: *[Signature]*
 DATE: 1/25/2009

FABRICATED BY COLFAX
 HOLES 1/8" SHOP FASTENERS
 SHOP PAINT NONE
 SHOP INSPECTION
 GENERAL NOTES

PROJECT NO: ACIM 091-1(33)
 STA. 22+69.92 TO STA. 25+28.14
 BRIDGE No. 3N (NORTHBOUND)
 TOWN OF GUILFORD

ORDER NO. 08-18537H22
 DETAILS OF PL GIRDER - SPAN B
 LINE 6
 PROJECT I-91 OVER BROAD BROOK AND BROAD BROOK ROAD
 LOCATION WINDHAM COUNTY, VT
 CUSTOMER MEC CONSTRUCTION
CAROLINA STEEL GROUP, LLC.

| REVISIONS | | |
|-----------|-----|----|
| DATE | NO. | BY |
| | R1 | |

MADE BY GM
 CHECKED BY PDC/SB
 SOUND LEADER Precise Drafting Co. Inc.
 DATE 09-08

SHEET **HF6**

DOR - DENOTES DIRECTION OF ROLLING