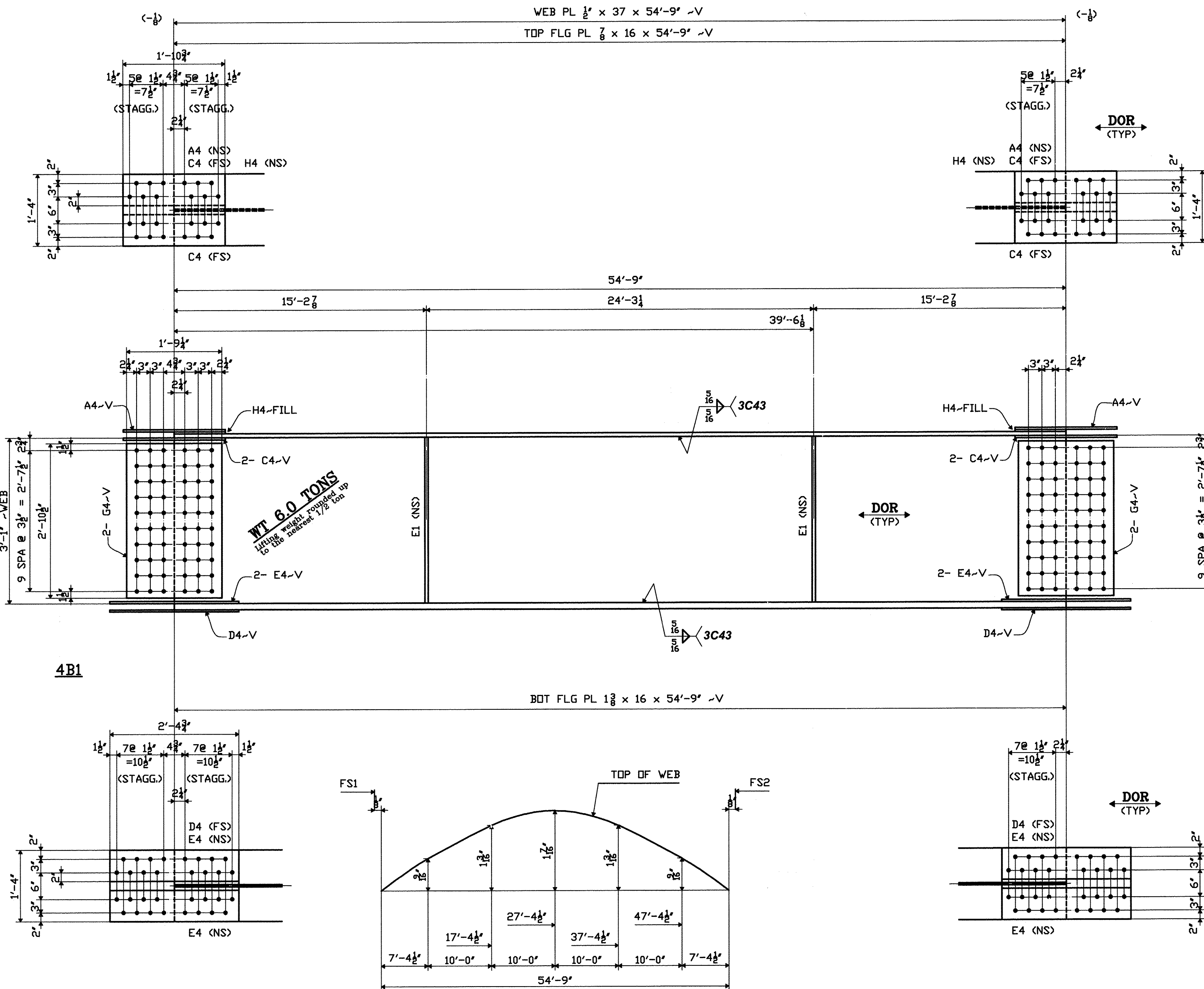


FS1

FS2

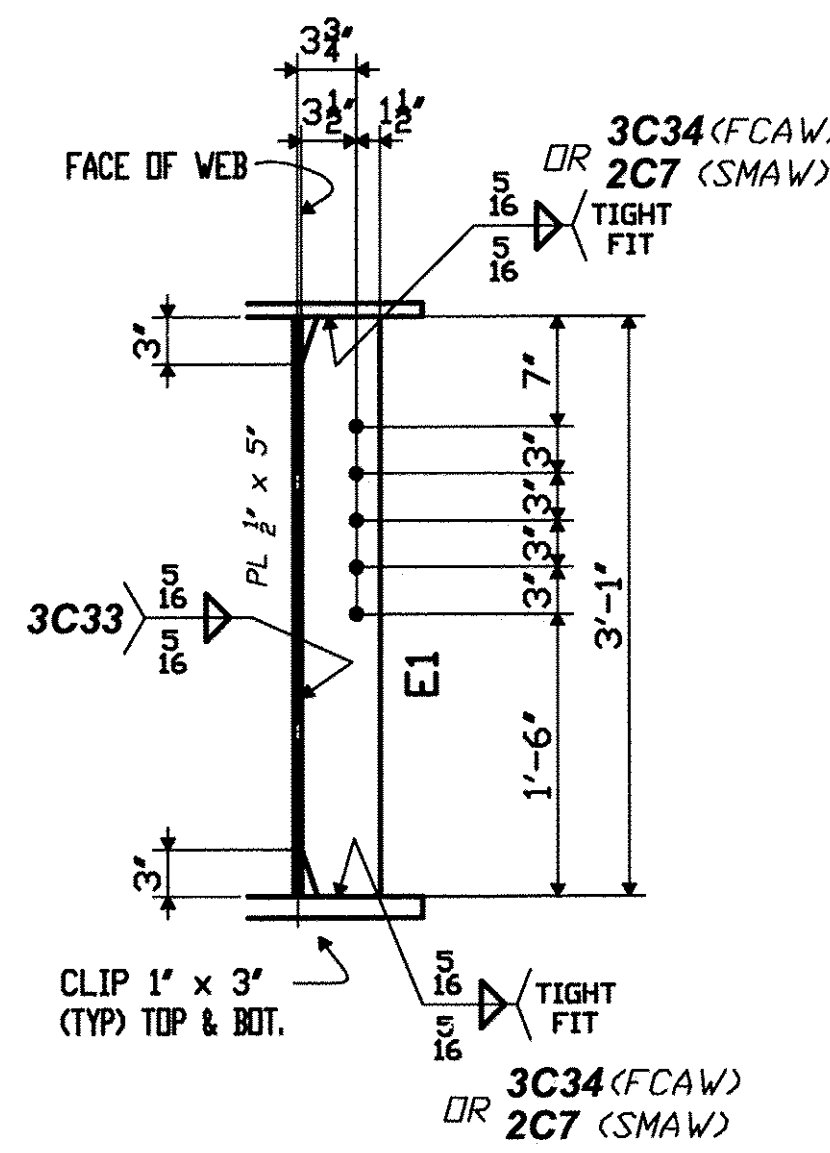


**WT 6.0 TONS**  
Lifting weight rounded up to the nearest 1/2 ton

### SHOP BILL

LINE NO.	SHIPPING LIST		POS. RECD.	DESCRIPTION	LENGTH	ASSEMBLY MARK	REMARKS	MTRL. SPEC.	MATERIAL APPLICATION	
	NO. POS.	MARK							P.O. NO.	LINE NO.
1										
2	1	4B1		PLATE GIRDER						
3			1	PL 7/8 x 16	54	9	TFB1	V	M270-50W	6014NH 5
4			1	PL 1 3/8 x 16	54	9	BFB1	V	M270-50W	6014NH 2
5			1	PL 1/2 x 37	54	9	WB1	V	M270-50W	6014NH 7
6										
7			2	PL 1/2 x 16	1	10 3/4	A4	V	M270-50W	6016NH 4
8			4	PL 1/2 x 7	1	10 3/4	C4	V	M270-50W	6016NH 4
9			2	PL 3/4 x 16	2	4 3/4	D4	V	M270-50W	6016NH 2
10			4	PL 3/4 x 7	2	4 3/4	E4	V	M270-50W	6016NH 2
11			4	PL 3/8 x 34 1/2	1	9 1/4	G4	V	M270-50W	SHN
12			2	PL 1/2 x 16	0	11 1/4	H4		M270-50W	6016NH 4
13										
14			8	F BOLT	7/8	0	3 1/2		SHIPPING BOLTS	A307 PS6329 2
15			8	F BOLT	7/8	0	4		SHIPPING BOLTS	A307 PS6329 3
16			4	F BOLT	7/8	0	2 1/2		SHIPPING BOLTS	A307 PS6329 1
17										
18			2	PL 1/2 x 5	3	1	E1	TF-2E	M270-50W	6016NH 4
19										
20										
21										
22										
23										
24										
25	DOMESTIC MATERIAL									

SEE HN1 FOR FABRICATION NOTES



**TVGA CONSULTANTS**

NO EXCEPTIONS TAKEN  REJECTED  
 FURNISH AS CORRECTED  
 REVISE AND RESUBMIT  
 ENGINEER has reviewed Shop Drawings and Samples and other data which Contractor is required to submit, only for conformance with the information given in the Contract Documents and compliance with the design concept of the completed Project as a functioning whole as indicated in the Contract Documents. Such reviews do not extend to means, methods, techniques, sequences or procedures of construction or to safety precautions and programs incident thereto. Such reviews do not extend to any LEED certification or accreditation. Contractor is responsible for dimensions to be confirmed and controlled at the job site; for information that pertains solely to the fabrication processes or to techniques of construction; and for coordination of the work of all trades.  
 BY: *[Signature]*  
 DATE: 11/23/2009

PROJECT No: ACIM 091-1(33)  
 STA. 22+69.92 TO STA. 25+28.14  
 BRIDGE No. 3N (NORTHBOUND)  
 TOWN OF GUILDFORD

FABRICATED BY COLFAX  
 HOLES 1/8" SHOP FASTENERS  
 SHOP PAINT NONE  
 SHOP INSPECTION  
 GENERAL NOTES

ORDER NO. 08-18537H22  
 DETAILS OF PL GIRDER - SPAN B  
 LINE 1  
 PROJECT I-91 OVER BROAD BROOK AND BROAD BROOK ROAD  
 LOCATION WINDHAM COUNTY, VT  
 CUSTOMER MEC CONSTRUCTION  
**CAROLINA STEEL GROUP, LLC.**  
 MADE BY GM  
 CHECKED BY PDC/SB  
 SOUND LEADER Dress Drafting Co. Inc.  
 DATE 09-08  
 SHEET HF 4

**DOR** - DENOTES DIRECTION OF ROLLING

CAMBER DIAGRAM