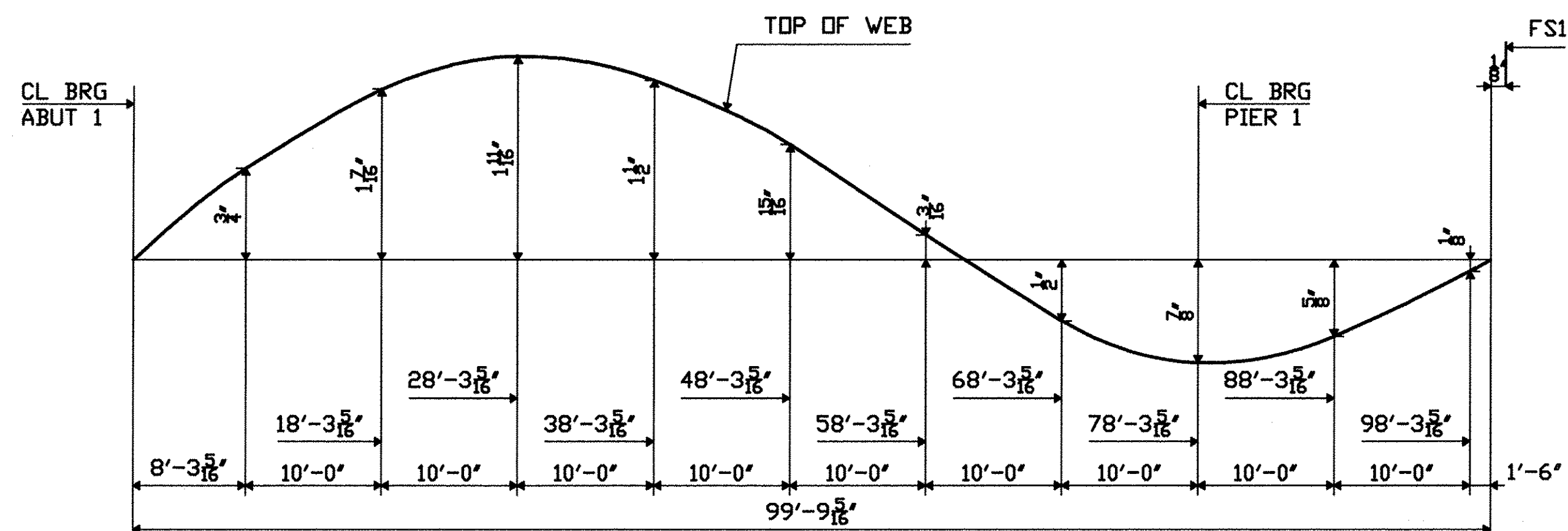
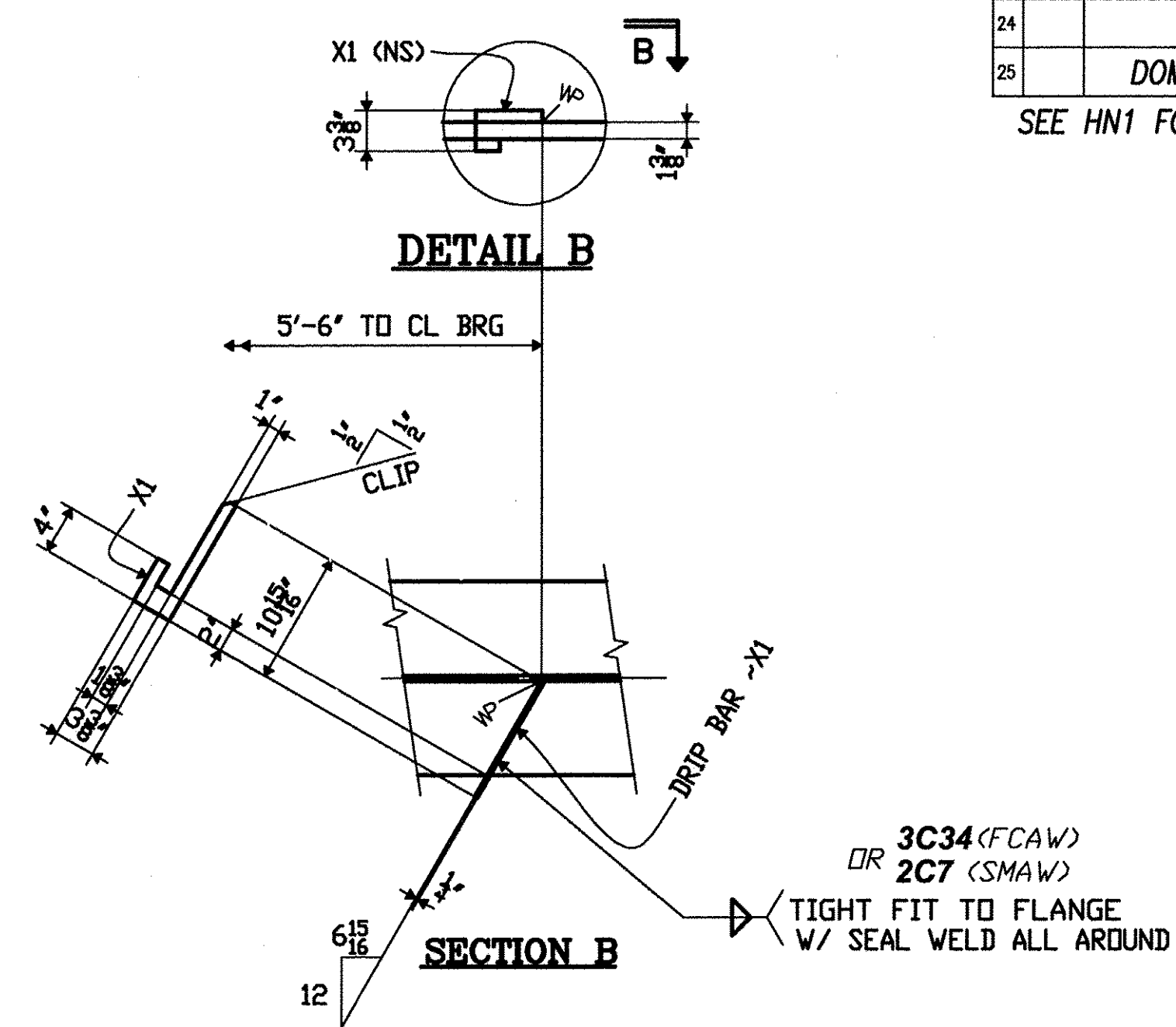
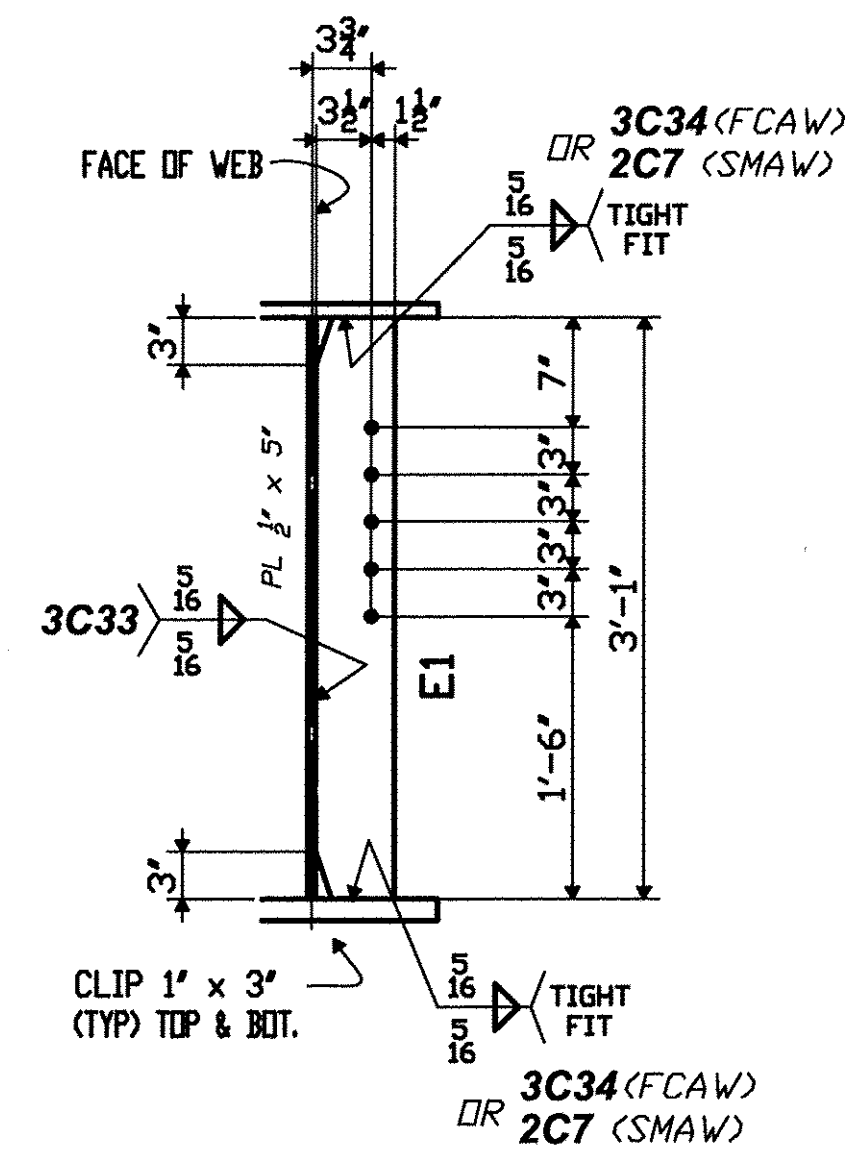
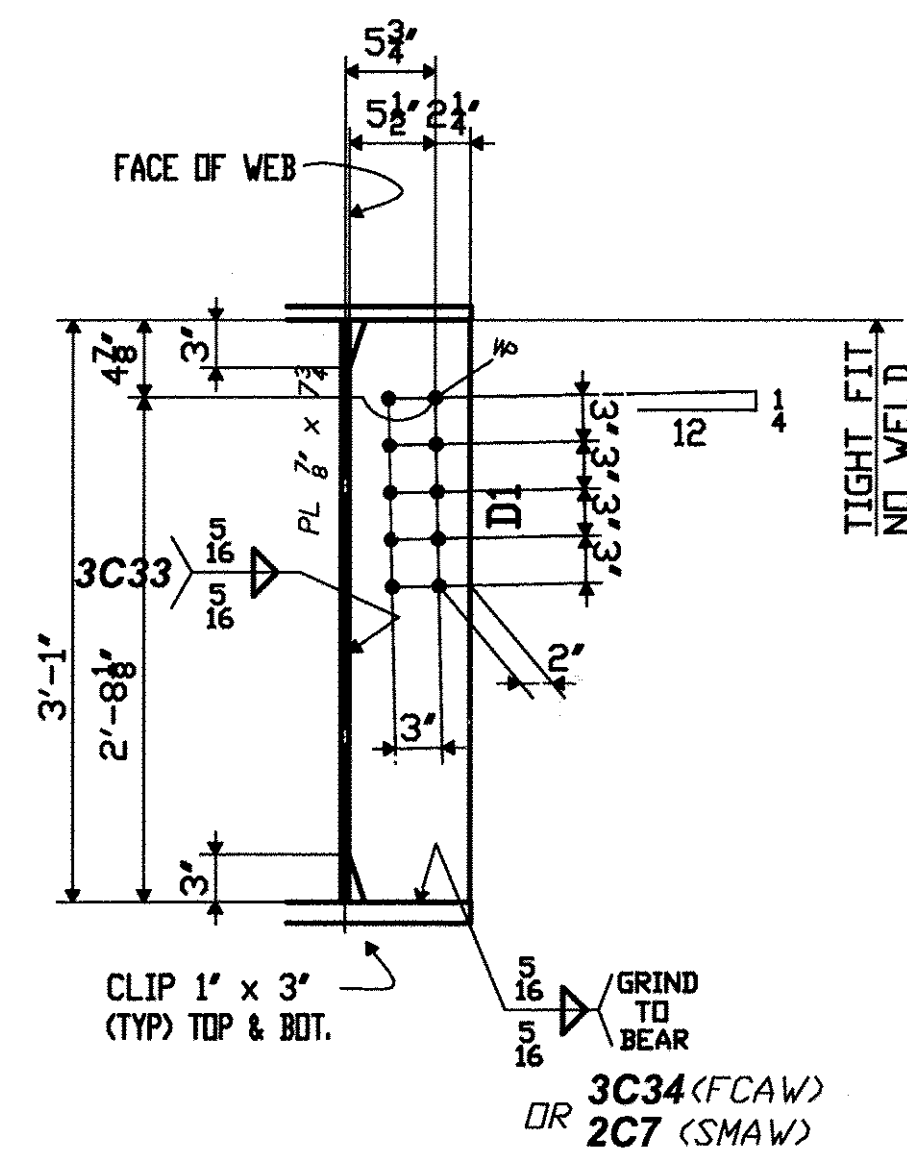
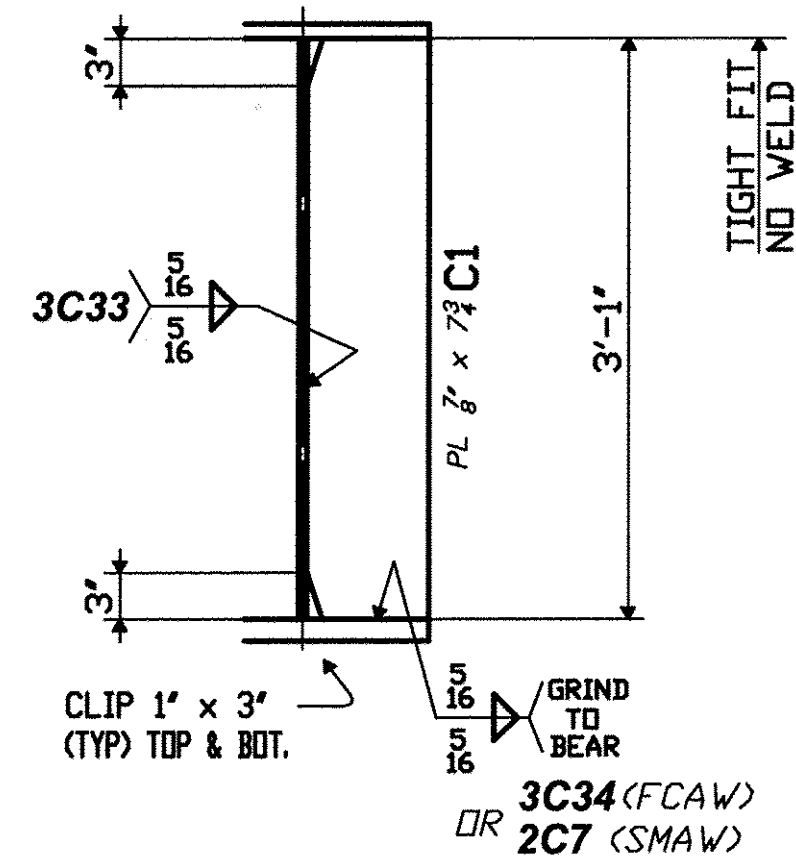
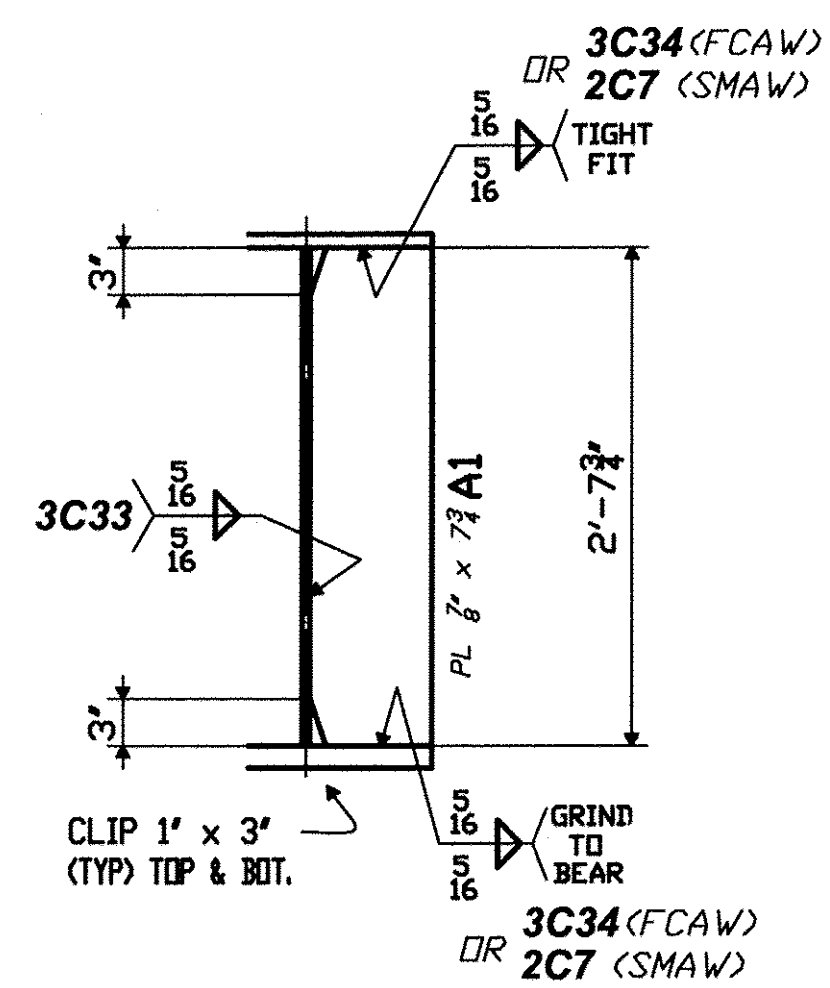


SHOP BILL

LINE NO.	SHIPPING LIST		DESCRIPTION	LENGTH	ASSEMBLY MARK	REMARKS	MTRL. SPEC.	MATERIAL APPLICATION	
	NO. POS.	MARK						P.O. NO.	LINE NO.
1									
2	1	3AB6	PLATE GIRDER						
3		1	PL 7/8 x 16	58 0 7/16	TFAB1	V	M270-50W	6014NH	4
4		1	PL 1 3/8 x 16	42 5 7/8	TFAB2	V	M270-50W	6014NH	3
5		1	PL 1 3/8 x 16	58 1 9/16	BFAB1	V	M270-50W	6014NH	1
6		1	PL 1 3/8 x 16	42 5 7/8	BFAB2	V	M270-50W	6014NH	3
7		1	PL 1/2 x 37	34 4 3/16	WAB1	V	M270-50W	6014NH	8
8		1	PL 1/2 x 37	66 3	WAB2	V	M270-50W	6014NH	6
9									
10		2	PL 7/8 x 7 3/4	2 7 3/4	A1	FIN-2E	M270-50W	6016NH	1
11		1	PL 7/8 x 7 3/4	3 1	C1	FIN-2E	M270-50W	6016NH	1
12		1	PL 7/8 x 7 3/4	3 1	D1	FIN-2E	M270-50W	6016NH	1
13		5	PL 1/2 x 5	3 1	E1	TF-2E	M270-50W	6016NH	4
14									
15		1	BAR 1/4 x 3 3/8	0 10 15/16	X1		M270-50W	SHN	
16									
17									
18									
19									
20									
21									
22									
23									
24									
25									

DOMESTIC MATERIAL
SEE HN1 FOR FABRICATION NOTES



CAMBER DIAGRAM

TVGA CONSULTANTS

NO EXCEPTIONS TAKEN REJECTED
 FURNISH AS CORRECTED
 REVISE AND RESUBMIT
 ENGINEER has reviewed Shop Drawings and Samples and other data which Contractor is required to submit, only for conformance with the information given in the Contract Documents and compatibility with the design concept of the completed Project as a functioning whole as indicated in the Contract Documents. Such reviews do not extend to means, methods, techniques, sequences or procedures of construction or to safety precautions and programs incident thereto. Such reviews do not extend to any LEED certification or accreditation. Contractor is responsible for dimensions to be confirmed and corrected at the job site, for information that pertains solely to the fabrication processes or to techniques of construction, and for coordination of the work of all trades.
 BY: *[Signature]*
 DATE: 1/27/2009

PROJECT No: ACIM 091-1(33)
 STA. 22+69.92 TO STA. 25+28.14
 BRIDGE No. 3N (NORTHBOUND)
 TOWN OF GUILFORD

FABRICATED BY COLFAX
 HOLES 1/8" (UN) SHOP FASTENERS
 SHOP PAINT NONE
 SHOP INSPECTION
 GENERAL NOTES WORK THIS SHEET w/HF3A

REVISIONS		
DATE	NO.	BY
	R1	

ORDER NO. 08-18537H22
 DETAILS OF PL GIRDER - SPAN AB
 LINE 6
 PROJECT I-91 OVER BROAD BROOK AND BROAD BROOK ROAD
 LOCATION WINDHAM COUNTY, VT
 CUSTOMER MEC CONSTRUCTION
CAROLINA STEEL GROUP, LLC.
 MADE BY GM
 CHECKED BY PDC/SB
 SOUND LEADER Precision Drilling Co. Inc.
 DATE 09-08
 SHEET HF3B