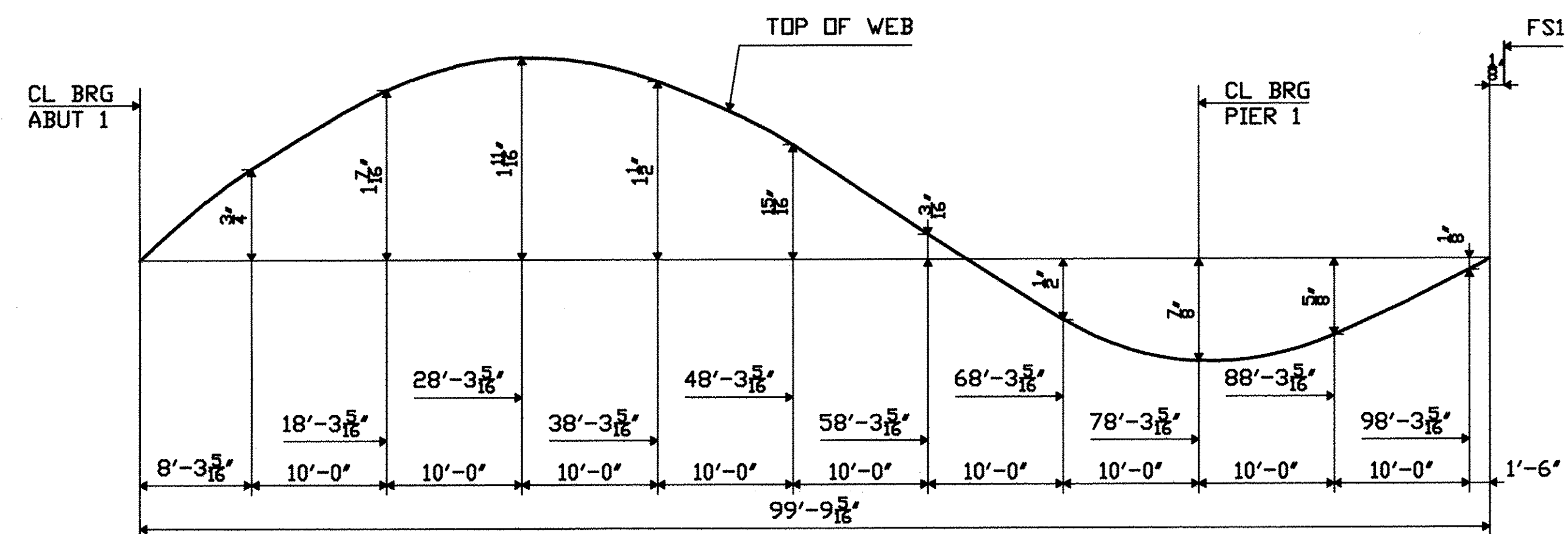
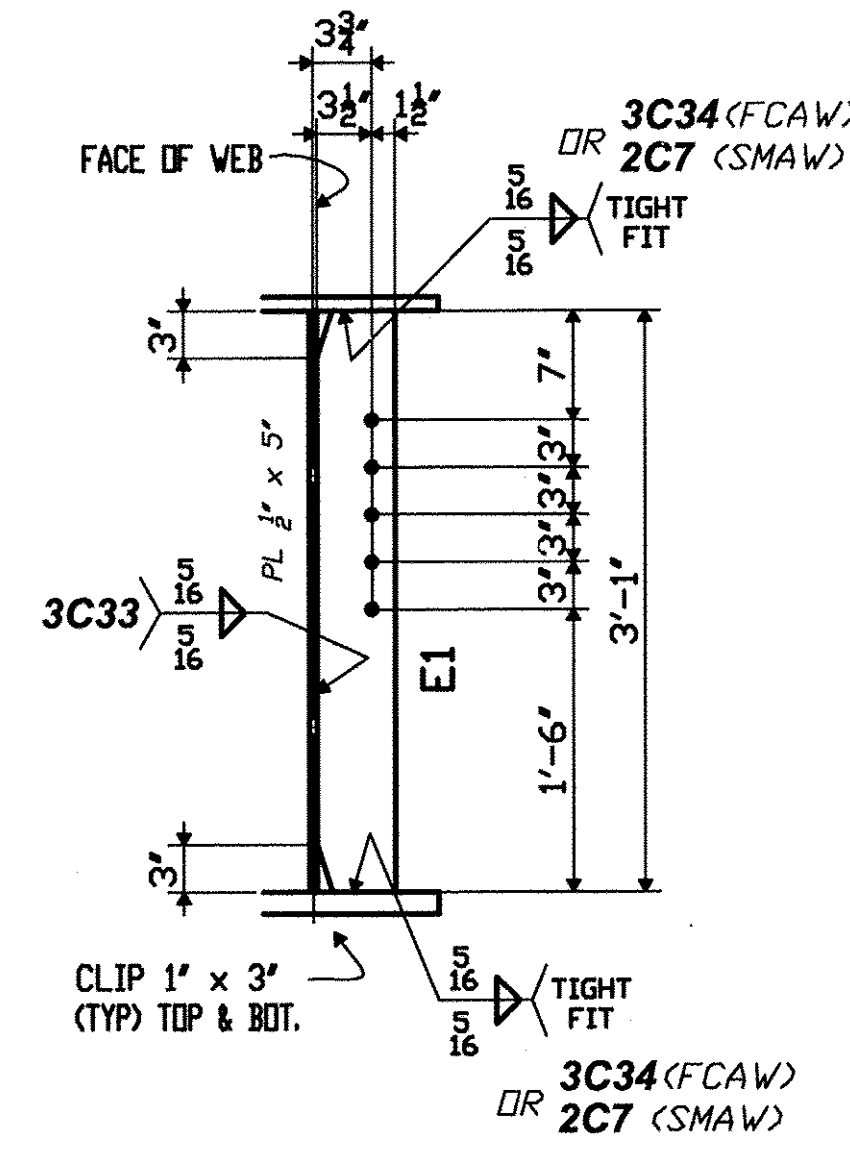
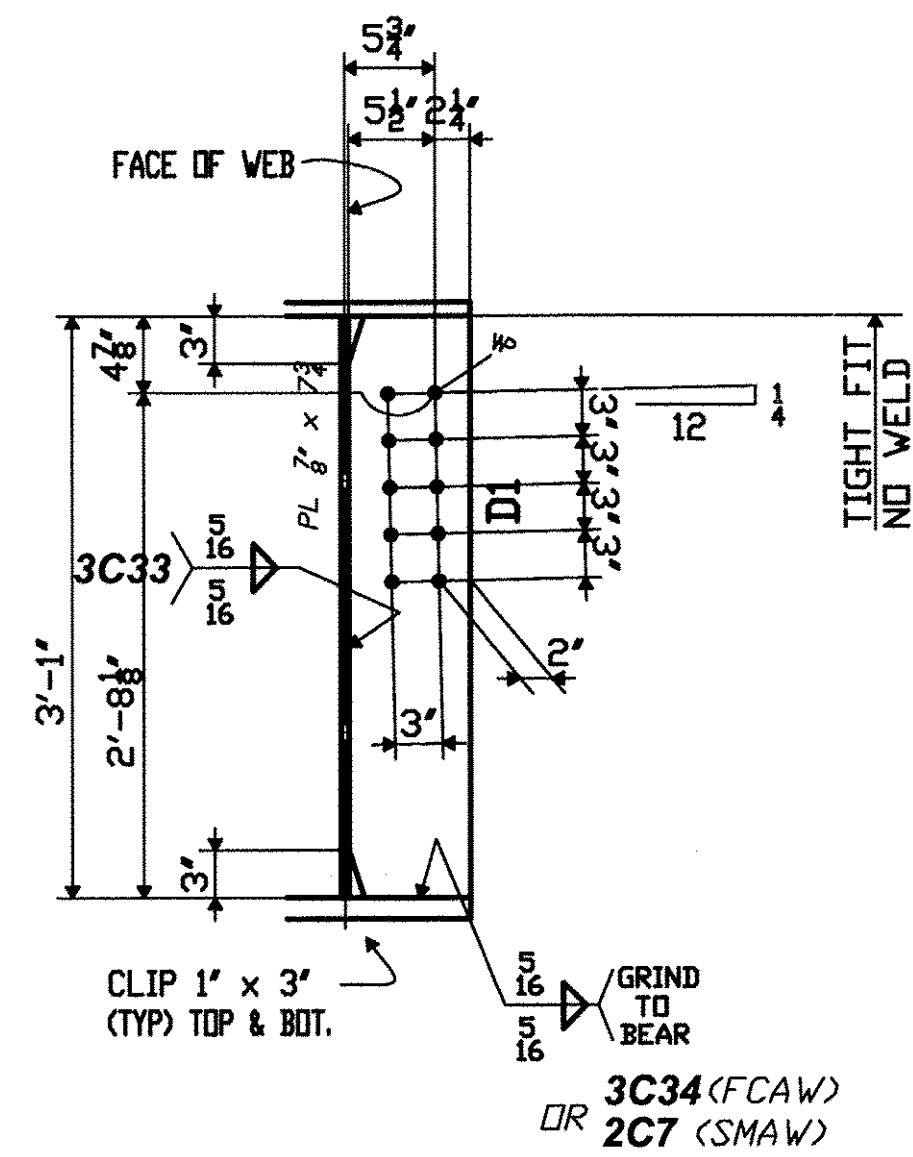
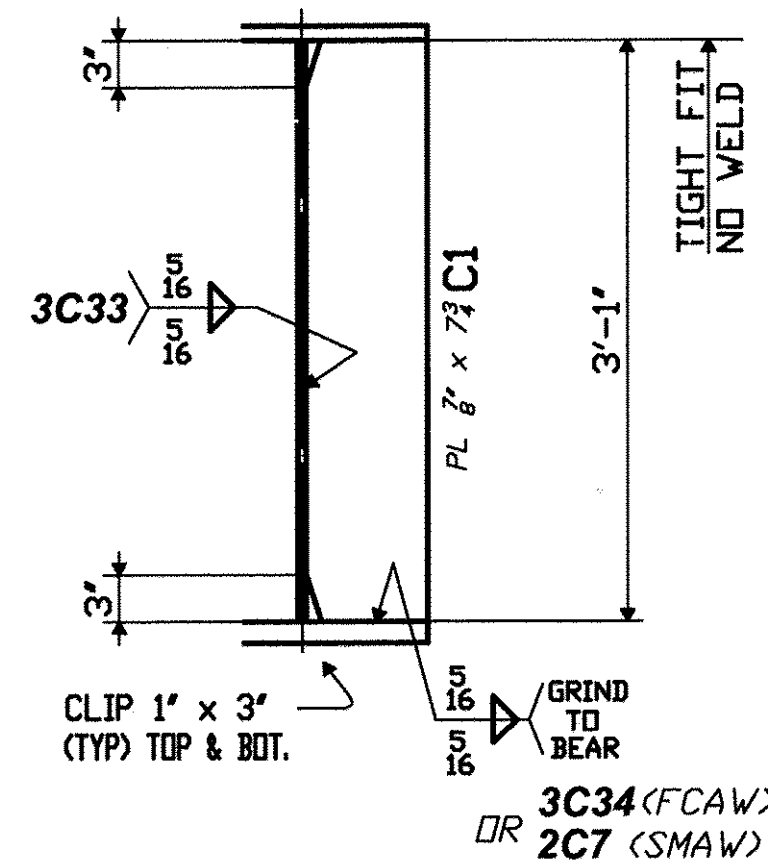
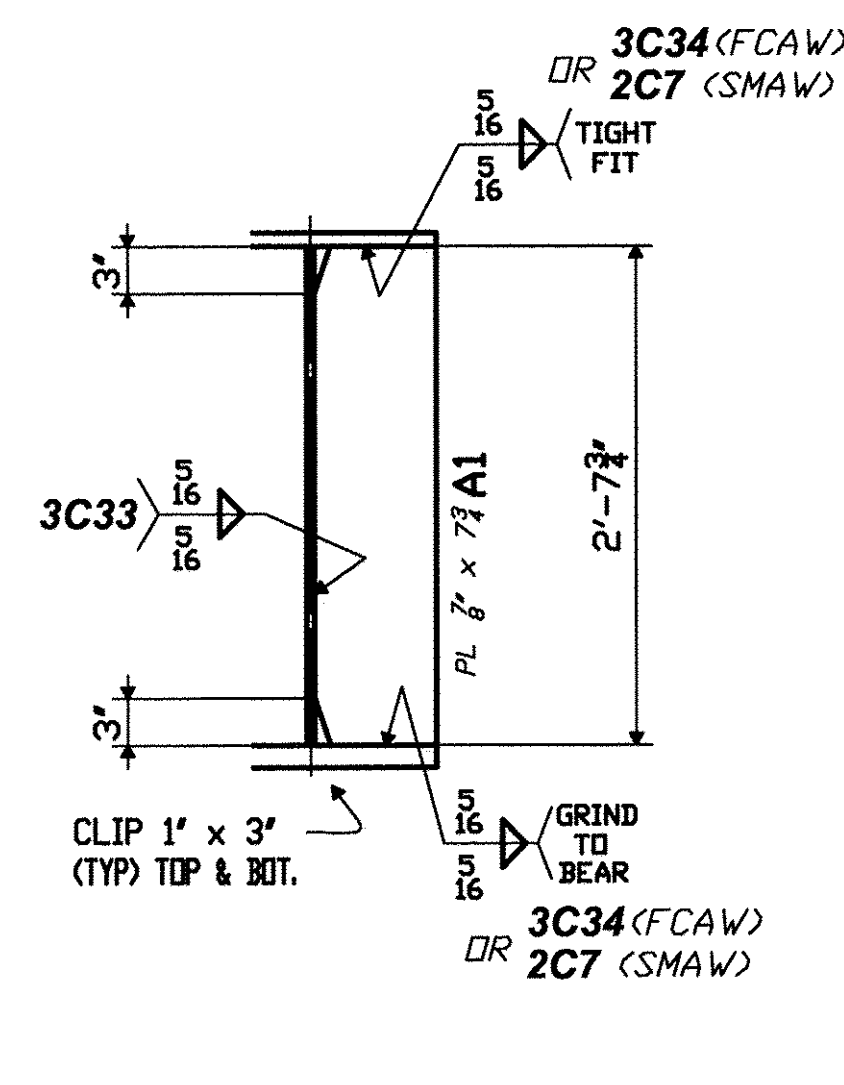


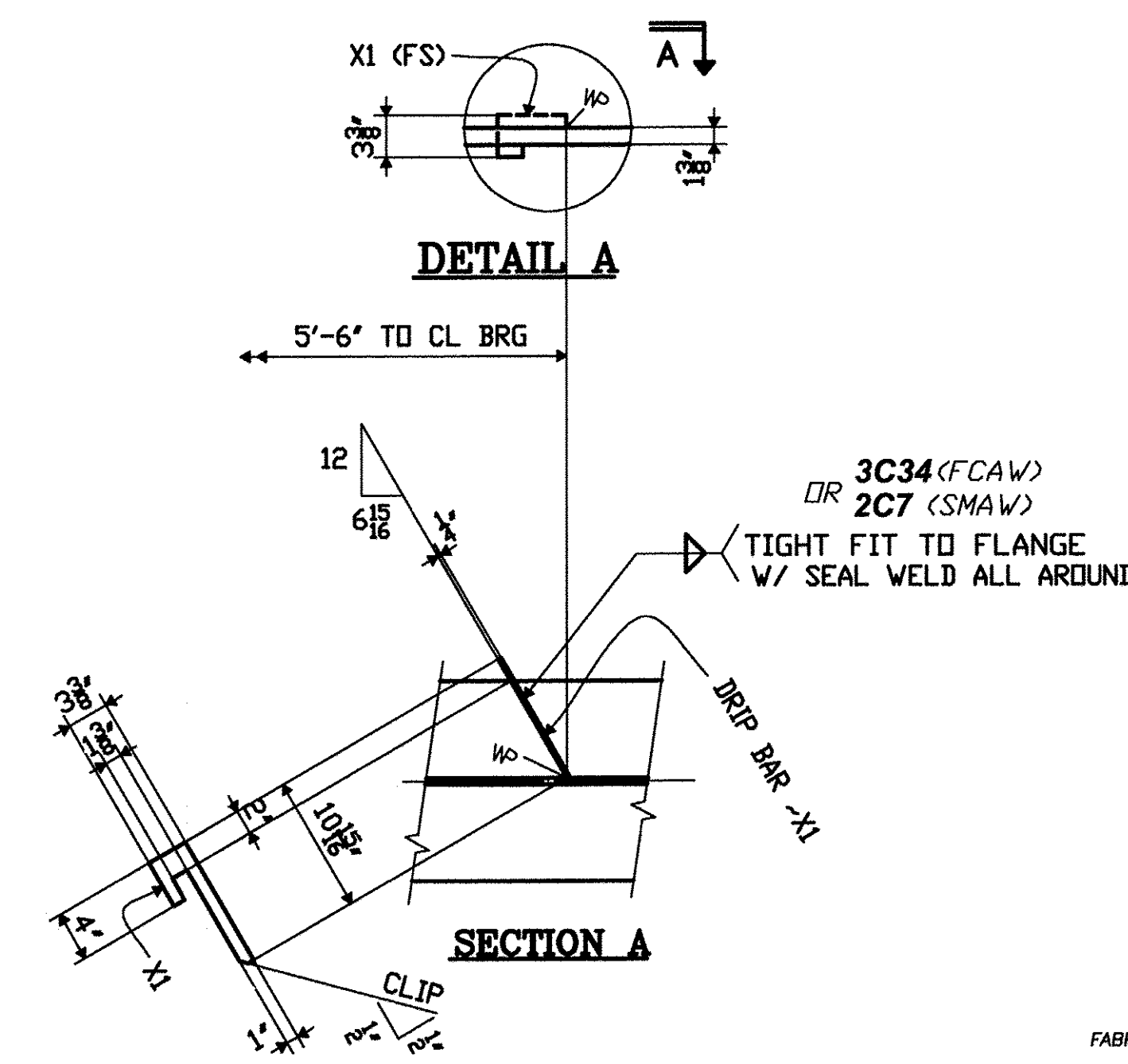
SHOP BILL

LINE NO.	SHIPPING LIST		PCS REQ'D	DESCRIPTION		LENGTH		ASSEMBLY MARK	REMARKS	MTRL. SPEC.	MATERIAL APPLICATION		
	NO.	MARK		CODE	SYMBOL	SECTION	FEET				INCHES	P.O. NO.	LINE NO.
1													
2	1	1AB1			PLATE GIRDER								
3			1	PL	7/8 x 16	58	0 7/16	TFAB1	V	M270-50W	6014NH	4	
4			1	PL	1 3/8 x 16	42	5 7/8	TFAB2	V	M270-50W	6014NH	3	
5			1	PL	1 3/8 x 16	58	1 9/16	BFAB1	V	M270-50W	6014NH	1	
6			1	PL	1 3/8 x 16	42	5 7/8	BFAB2	V	M270-50W	6014NH	3	
7			1	PL	1/2 x 37	34	4 3/8	WAB1	V	M270-50W	6014NH	8	
8			1	PL	1/2 x 37	66	3	WAB2	V	M270-50W	6014NH	6	
9													
10			2	PL	7/8 x 7 3/4	2	7 3/4	A1	FIN-2E	M270-50W	6016NH	1	
11			1	PL	7/8 x 7 3/4	3	1	C1	FIN-2E	M270-50W	6016NH	1	
12			1	PL	7/8 x 7 3/4	3	1	D1	FIN-2E	M270-50W	6016NH	1	
13			5	PL	1/2 x 5	3	1	E1	TF-2E	M270-50W	6016NH	4	
14													
15			1	BAR	1/4 x 3 3/8	0	10 15/16	X1		M270-50W	SHN		
16													
17													
18													
19													
20													
21													
22													
23													
24													
25													

DOMESTIC MATERIAL
SEE HN1 FOR FABRICATION NOTES



CAMBER DIAGRAM



TVGA CONSULTANTS

NO EXCEPTIONS TAKEN REJECTED
 FURNISH AS CORRECTED
 REVISE AND RESUBMIT
 ENGINEER has reviewed Shop Drawings and Samples and other data which Contractor is required to submit, only for conformance with the information given in the Contract Documents and compatibility with the design concept of the completed Project as a functioning whole as included in the Contract Documents. Such reviews do not extend to means, methods, techniques, sequences or procedures of construction or to safety precautions and programs incident thereto. Such reviews do not extend to any LEED certification or accreditation. Contractor is responsible for dimensions to be confirmed and correlated at the job site for information that pertains solely to the fabrication processes or to techniques of construction; and for coordination of the work of all trades.

BY: *Adrian*
 DATE: 1/23/2008

PROJECT No: ACIM 091-1(33)
 STA. 22+69.92 TO STA. 25+28.14
 BRIDGE No. 3N (NORTHBOUND)
 TOWN OF GUILDFORD

FABRICATED BY COLFAX
 HOLES 120 (UN) SHOP FASTENERS
 SHOP PAINT NONE
 SHOP INSPECTION
 GENERAL NOTES WORK THIS SHEET W/HF1A

DATE	NO.	BY
	R1	

ORDER NO. 08-18537H22
 DETAILS OF PL GIRDER - SPAN AB LINE 1
 PROJECT I-91 OVER BROAD BROOK AND BROAD BROOK ROAD
 LOCATION WINDHAM COUNTY, VT
 CUSTOMER MEC CONSTRUCTION
CAROLINA STEEL GROUP, LLC.

MADE BY GM
 CHECKED BY PDC/SB
 SOUND LEADER Precision Drilling Co. Inc.
 DATE 09-08
 SHEET HF1B