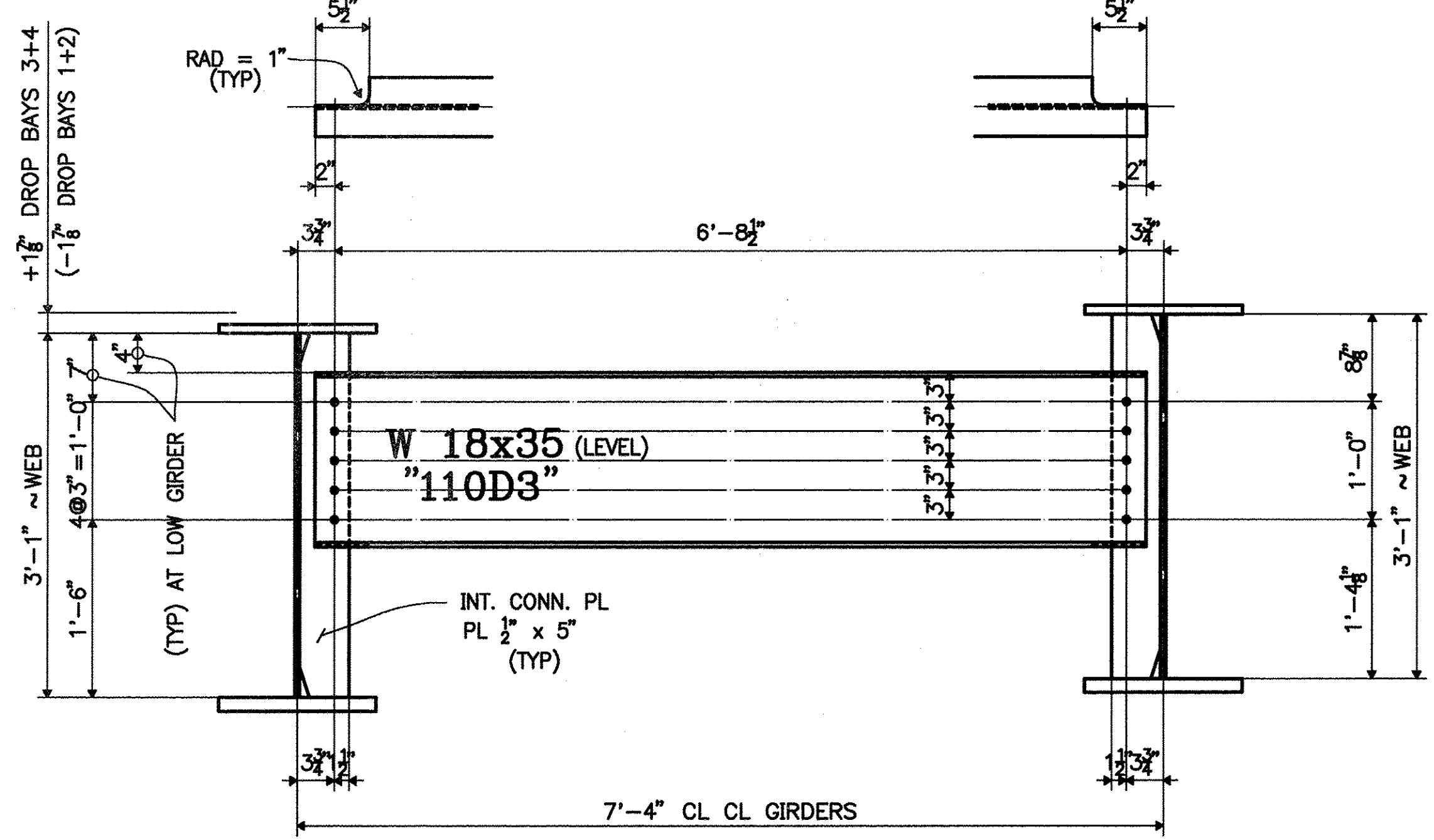


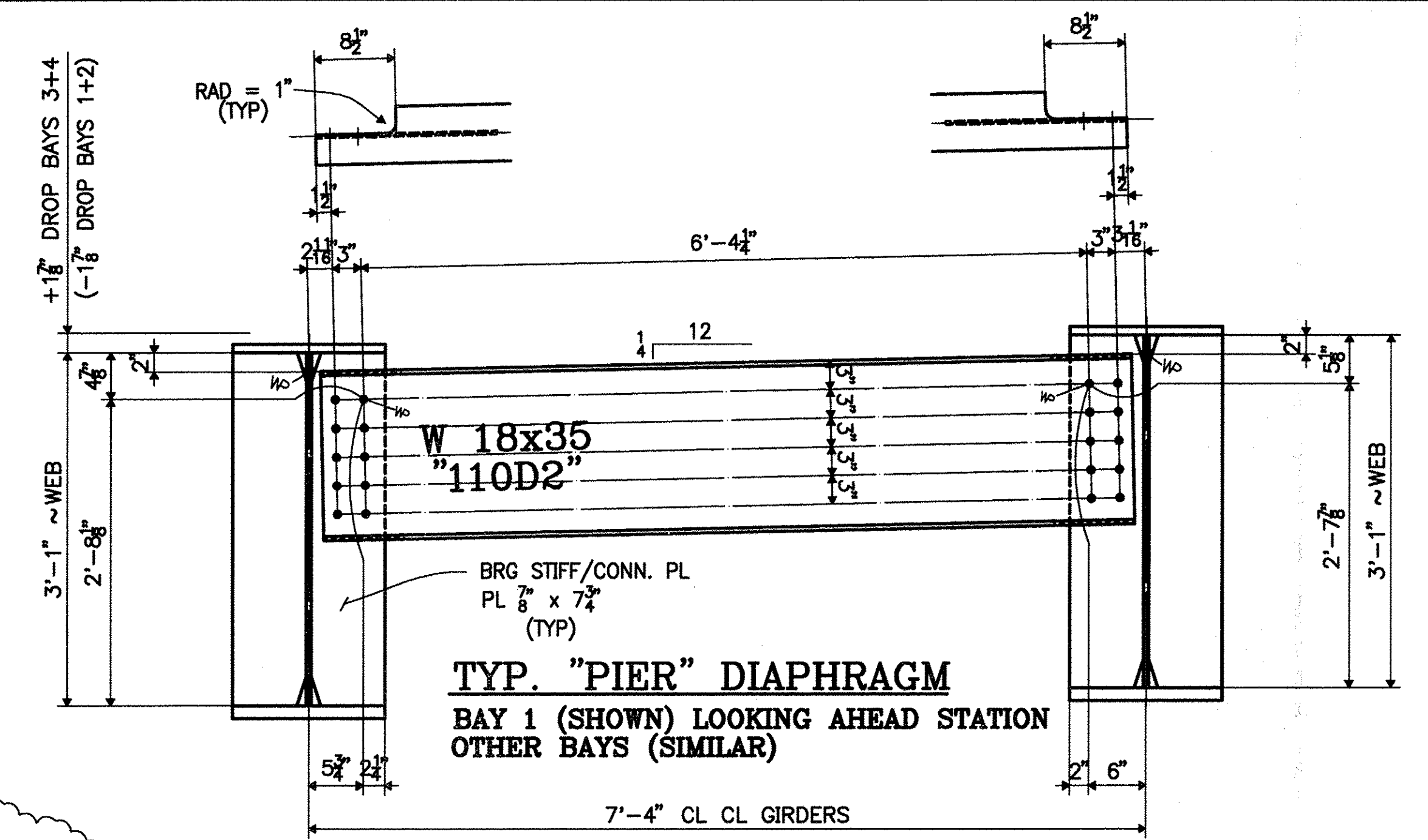
TYP. "ABUT 1" DIAPHRAGM
 BAY 4 (SHOWN) LOOKING BACK STATION
 OTHER BAYS (SIMILAR)



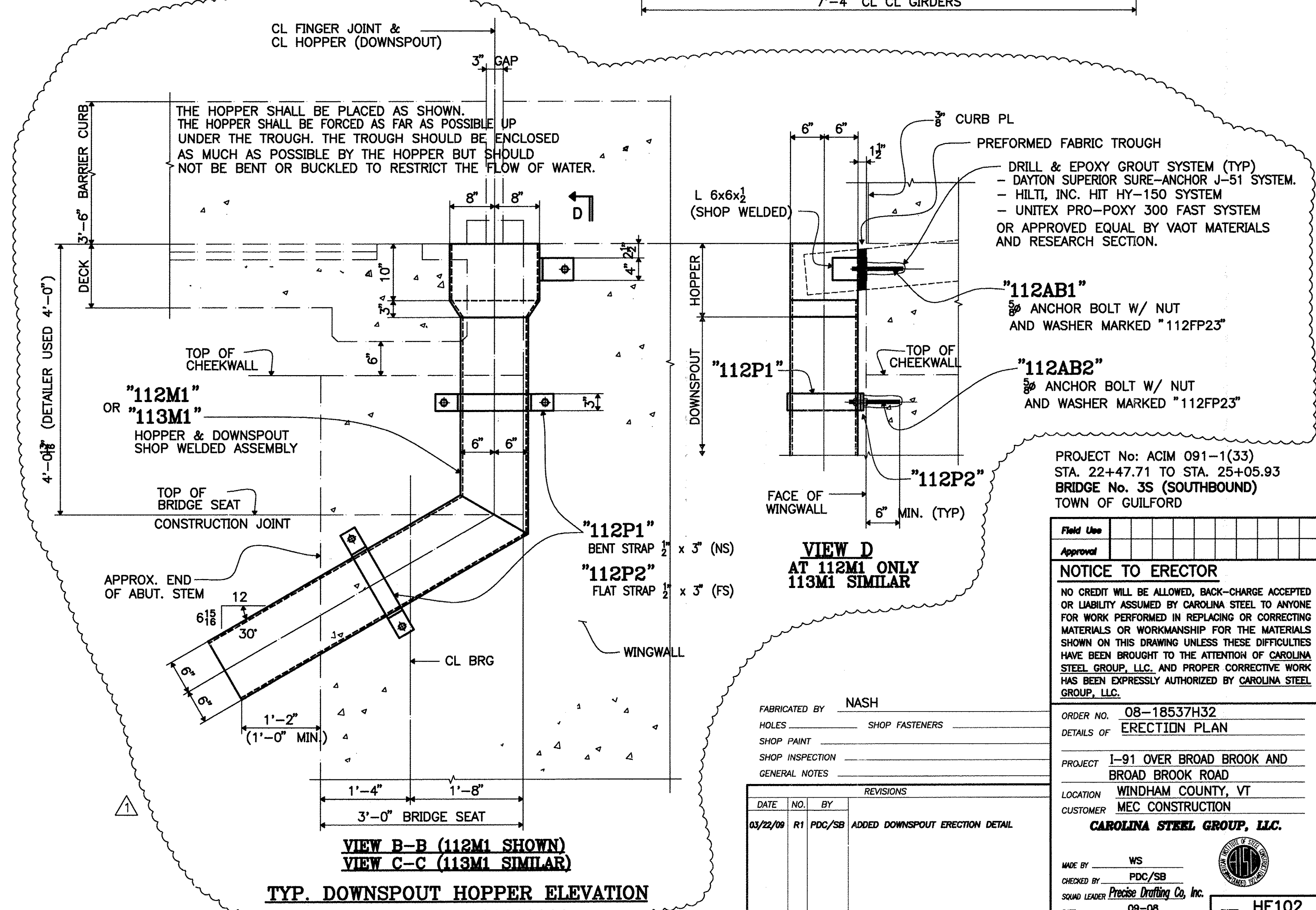
TYP. "INT." DIAPHRAGM
 BAY 1 (SHOWN) LOOKING AHEAD STATION
 OTHER BAYS (SIMILAR)

TVGA CONSULTANTS

NO EXCEPTIONS TAKEN REJECTED
 FURNISH AS CORRECTED
 REVISE AND RESUBMIT
 ENGINEER has reviewed Shop Drawings and Samples and other data which Contractor is required to submit, only for conformance with the information given in the Contract Documents and herewith with the intent of the Contract Documents and herewith with the intent of the Contract Documents. Such reviews do not extend to means, methods, techniques, sequences or procedures of construction or to safety precautions and programs incident thereto. Such reviews do not extend to any LEED certification or accommodations. Contractor is responsible for obtaining and maintaining all necessary permits for construction and for coordination of the work of all trades.
 BY: *Ad. Cal.*
 DATE: 7/16/2009



TYP. "PIER" DIAPHRAGM
 BAY 1 (SHOWN) LOOKING AHEAD STATION
 OTHER BAYS (SIMILAR)



TYP. DOWNSPOUT HOPPER ELEVATION

PROJECT No: ACIM 091-1(33)
 STA. 22+47.71 TO STA. 25+05.93
 BRIDGE No. 3S (SOUTHBOUND)
 TOWN OF GUILFORD

NOTICE TO ERECTOR
 NO CREDIT WILL BE ALLOWED, BACK-CHARGE ACCEPTED OR LIABILITY ASSUMED BY CAROLINA STEEL TO ANYONE FOR WORK PERFORMED IN REPLACING OR CORRECTING MATERIALS OR WORKMANSHIP FOR THE MATERIALS SHOWN ON THIS DRAWING UNLESS THESE DIFFICULTIES HAVE BEEN BROUGHT TO THE ATTENTION OF CAROLINA STEEL GROUP, LLC, AND PROPER CORRECTIVE WORK HAS BEEN EXPRESSLY AUTHORIZED BY CAROLINA STEEL GROUP, LLC.

FABRICATED BY NASH
 HOLES _____ SHOP FASTENERS _____
 SHOP PAINT _____
 SHOP INSPECTION _____
 GENERAL NOTES _____

REVISIONS			
DATE	NO.	BY	DESCRIPTION
03/22/09	R1	PDC/SB	ADDED DOWNSPOUT ERECTION DETAIL

ORDER No. 08-18537H32
 DETAILS OF ERECTION PLAN
 PROJECT I-91 OVER BROAD BROOK AND BROAD BROOK ROAD
 LOCATION WINDHAM COUNTY, VT
 CUSTOMER MEC CONSTRUCTION
CAROLINA STEEL GROUP, LLC.

MADE BY WS
 CHECKED BY PDC/SB
 SOUND LEADER *Precise Drafting Co., Inc.*
 DATE 08-08 SHEET HE102