

FINGER PLATE LAYOUT

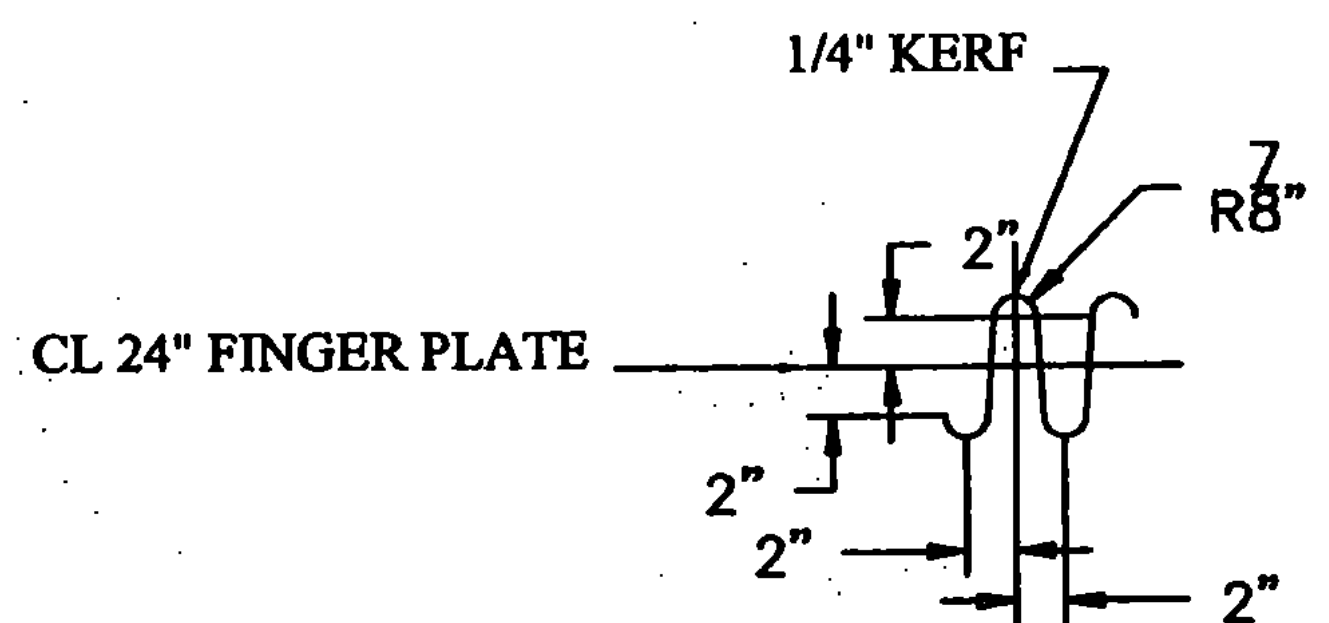
BILL OF MATERIALS				
QTY	MARK	SHAPE	LENGTH	REMARKS
1	7F1	FINGER		
1	7p1	Plate 2 1/4 x 24"	16'-0"	
64		7/8" Hexhead Bolts x 3 1/2" lg with nut		
1	7F2	FINGER		
1	7p2	Plate 2 1/4 x 24"	16'-0"	
64		7/8" Hexhead Bolts x 3 1/2" lg with nut		

TVGA CONSULTANTS

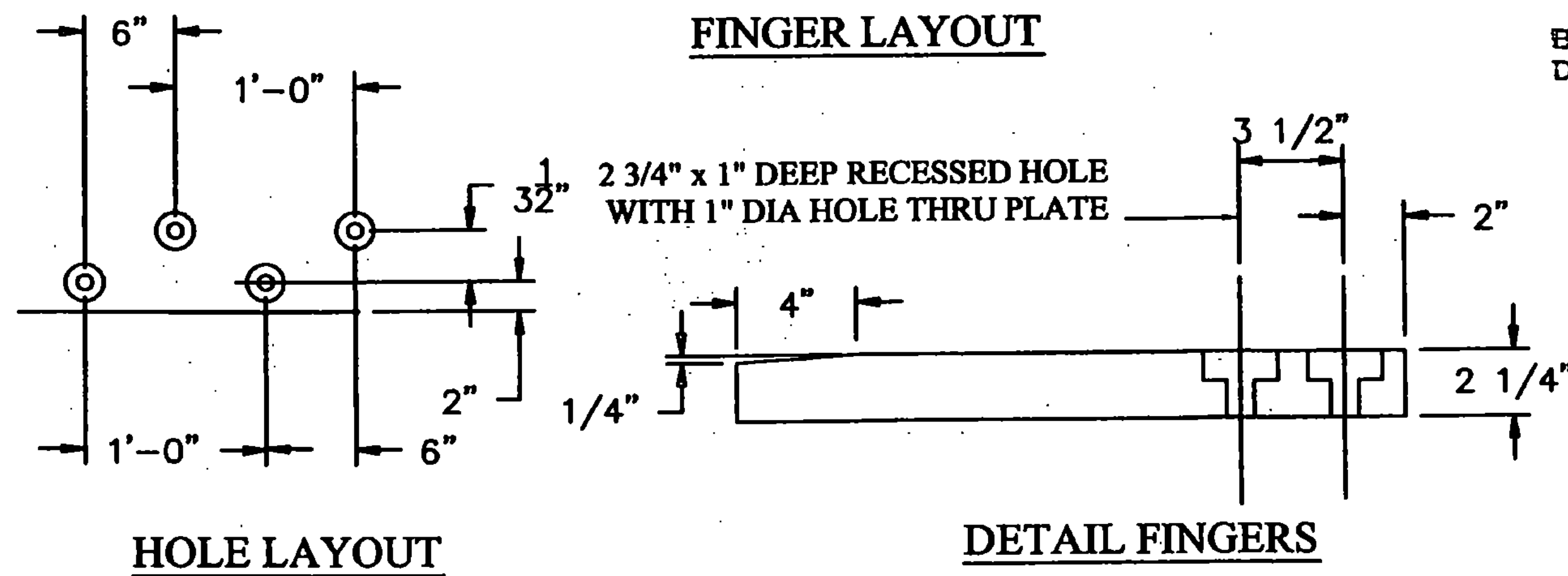
- NO EXCEPTIONS TAKEN
- REJECTED
- FURNISH AS CORRECTED
- REVISE AND RESUBMIT

ENGINEER has reviewed Shop Drawings and Samples and other data which Contractor is required to submit, only for conformance with the information given in the Contract Documents and compatibility with the design concept of the completed Project as a functioning whole as indicated in the Contract Documents. Such reviews do not extend to means, methods, techniques, sequences or procedures of construction or to safety precautions and programs incident thereto. Such reviews do not extend to any LEED certification or accreditation. Contractor is responsible for dimensions to be confirmed and correlated at the job site; for information that pertains solely to the fabrication processes or to techniques of construction; and for coordination of the work of all trades.

BY: *[Signature]*  
DATE: 3/31/2009



FINGER LAYOUT



HOLE LAYOUT

DETAIL FINGERS

DRAWING COVERS

FINGERS DETAIL (3S)

PROJECT	GULFORD IN 091-1(33)
LOCATION	I-91 OVER BROAD BROOK & BROAD BROOK ROAD
ENGINEER	VERMONT AGENCY OF TRANSPORTATION
CUSTOMER	J.A. McDONALD

MERRIMACK SHEET METAL

119 HALL STREET  
CONCORD NH 03301

Tel. 603.224.7766  
Fax 603.224.7925

DRAWN BY: RL  
CHECKED BY: JD  
JOB NO: #2353  
DWG: F7

REV NO.	DATE	DESCRIPTION
1	3-23-2009	REVISED PER APPROVAL COMMENTS
0	11-24-2008	SUBMITTED FOR APPROVAL
HOLES AS NOTED		
MATERIAL: AASHTO M 270 GRADE 80 GALV		