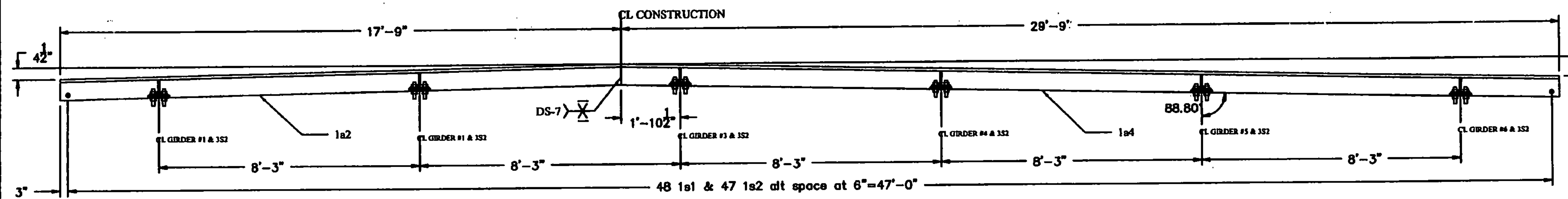
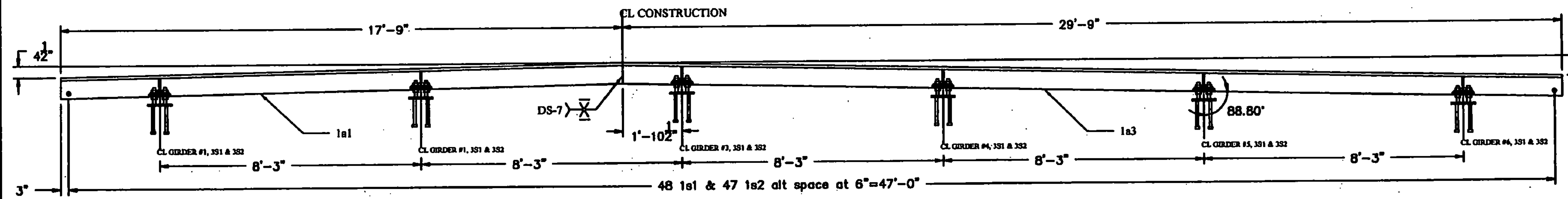


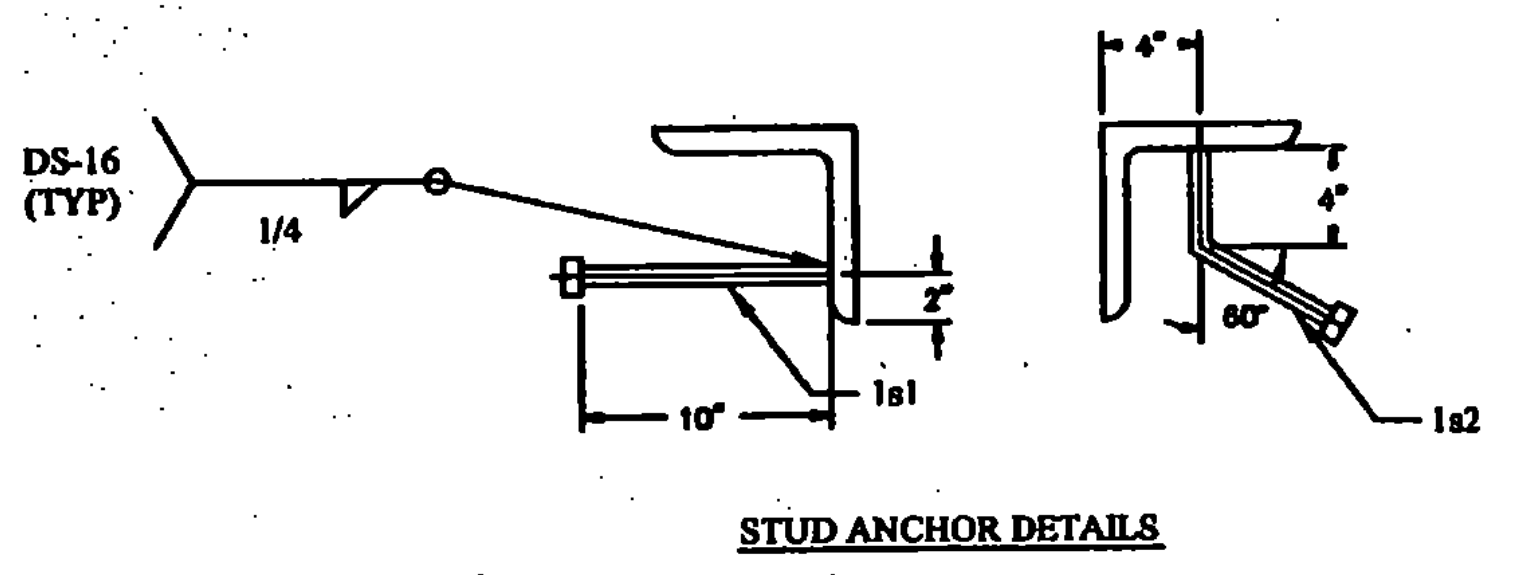
BILL OF MATERIALS				
QTY	MARK	SHAPE	LENGTH	REMARKS
1	1J1	FINGER JOINT ASSEMBLY		
1	1a1	L 8" x 8" x 1"	17'-9"	
1	1a2	L 8" x 8" x 1"	17'-9"	
1	1a3	L 8" x 8" x 1"	29'-9"	
1	1a4	L 8" x 8" x 1"	29'-9"	
96	1s1	3/4" x 10" Welded Stud		
94	1s2	3/4" x 10" Bent Welded Stud		
4	1r1	1/16" x 3" Butyl Rubber x 22'-9"		
4	1r2	1/16" x 3" Butyl Rubber x 21'-3"		
6	3S1	BACKWALL SUPPORT PLATES		
12	3S2	GIRDER SUPPORT PLATES		
1	4T1	TROUGH		
1	6F1	FINGER		
1	6F2	FINGER		
1	6F3	FINGER		



DECK SIDE ANGLES (NEARSIDE)



BACKWALL ANGLES (FARSIDE)



STUD ANCHOR DETAILS

- NO EXCEPTIONS TAKEN
- FURNISH AS CORRECTED
- REVISE AND RESUBMIT
- REJECTED

ENGINEER has reviewed Shop Drawings and Samples and other data which Contractor is required to submit, only for conformance with the information given in the Contract Documents and compatibility with the design concept of the completed Project as a functioning whole as indicated in the Contract Documents. Such reviews do not extend to means, methods, techniques, sequences or procedures of construction or to safety precautions and programs incident thereto. Such reviews do not extend to any LEED certification or accreditation. Contractor is responsible for dimensions to be confirmed and correlated at the job site; for information that pertains solely to the fabrication processes or to techniques of construction; and for coordination of the work of all trades.

BY: *Chris Lodi*
DATE: 3/31/2009

DRAWING COVERS	
FINGER JOINT LAYOUT (3N)	
PROJECT	GULFORD IN 091-1(33)
LOCATION	I-91 OVER BROAD BROOK & BROAD BROOK ROAD
ENGINEER	VERMONT AGENCY OF TRANSPORTATION
CUSTOMER	J.A. McDONALD, INC.

REV NO.	DATE	DESCRIPTION
2	3-23-2009	REVISED PER APPROVAL COMMENTS
1	1-18-2009	REVISED PER APPROVAL COMMENTS
0	11-24-2008	SUBMITTED FOR APPROVAL

HOLES AS NOTED
MATERIAL: AASHTO M 270 GRADE 80 GALV

MERRIMACK SHEET METAL

119 HALL STREET
CONCORD NH 03301

Tel. 603.224.7766
Fax 603.224.7925

DRAWN BY: RL
CHECKED BY: JD
JOB NO: #2353
DWG: F1