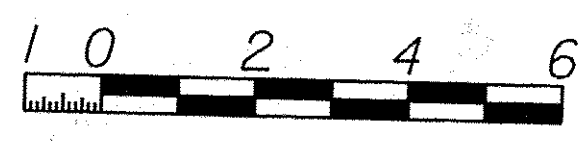
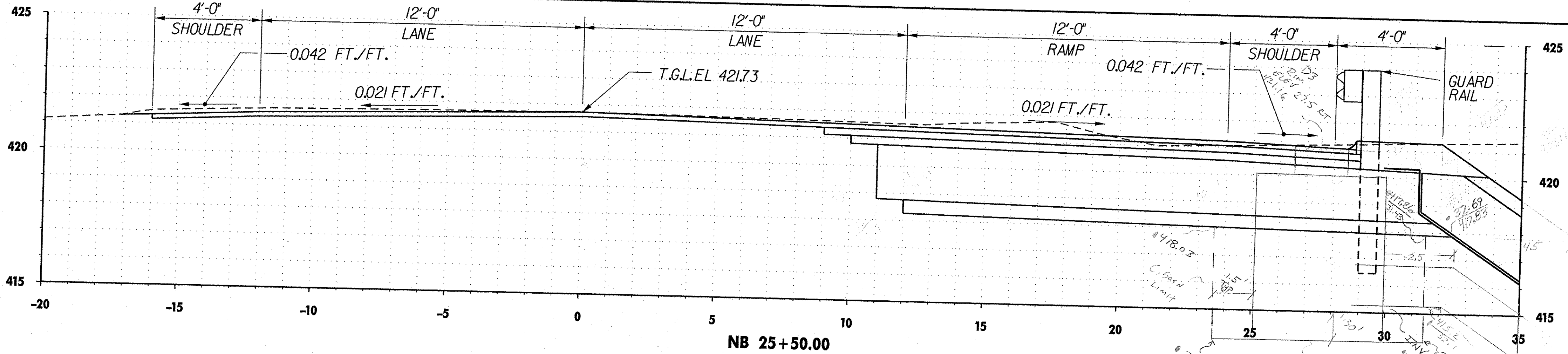
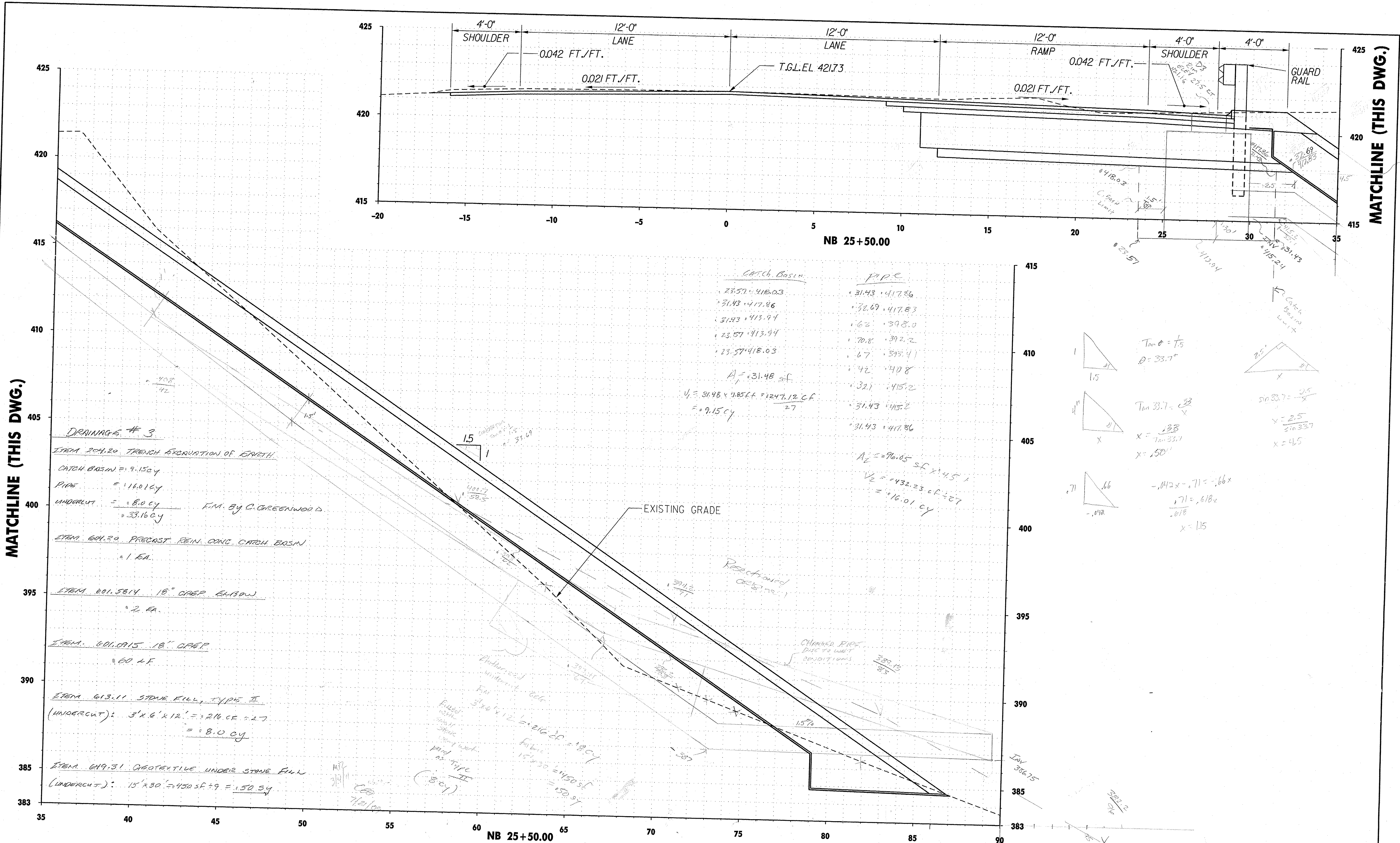


MATCHLINE (THIS DWG.)

MATCHLINE (THIS DWG.)



TVA TVGA ENGINEERING, SURVEYING, P. C.

**STATE OF VERMONT
AGENCY OF TRANSPORTATION**

Designed By	Drawn By C. GREENWOOD
Checked By	Date
Town Of	Bridge No.
Highway No.	Log Sta.
	Surv. Sta.

PROJECT	PROJECT NO.
GUILFORD	ACE0091-1(33)
TVGA CAD Drawing No.	Date