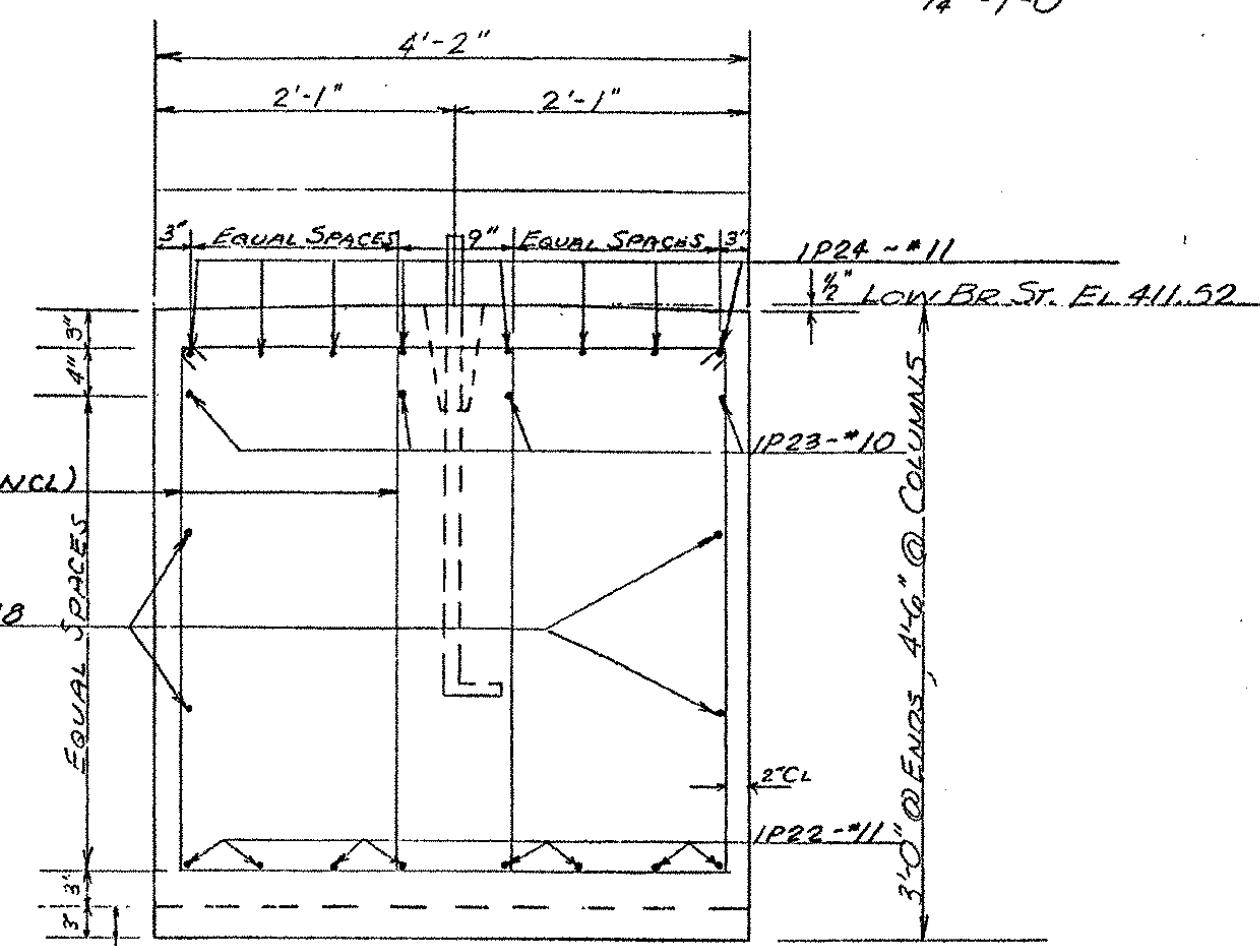
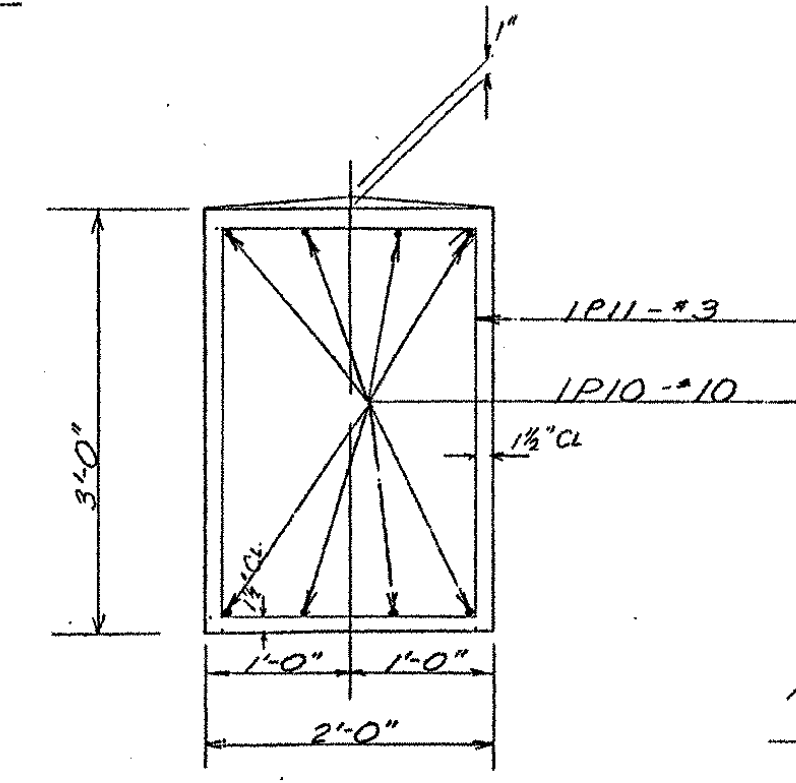


NOTES:
 WITH THE EXCEPTION OF COLUMNS,
 CHAMFER FOR ALL EDGES TO BE 3/4"
 DESIGN BEARING = 8 KIIPS PER
 SQ. FT. OF AS MODIFIED BY
 AASHTO SPECIFICATIONS (1953).

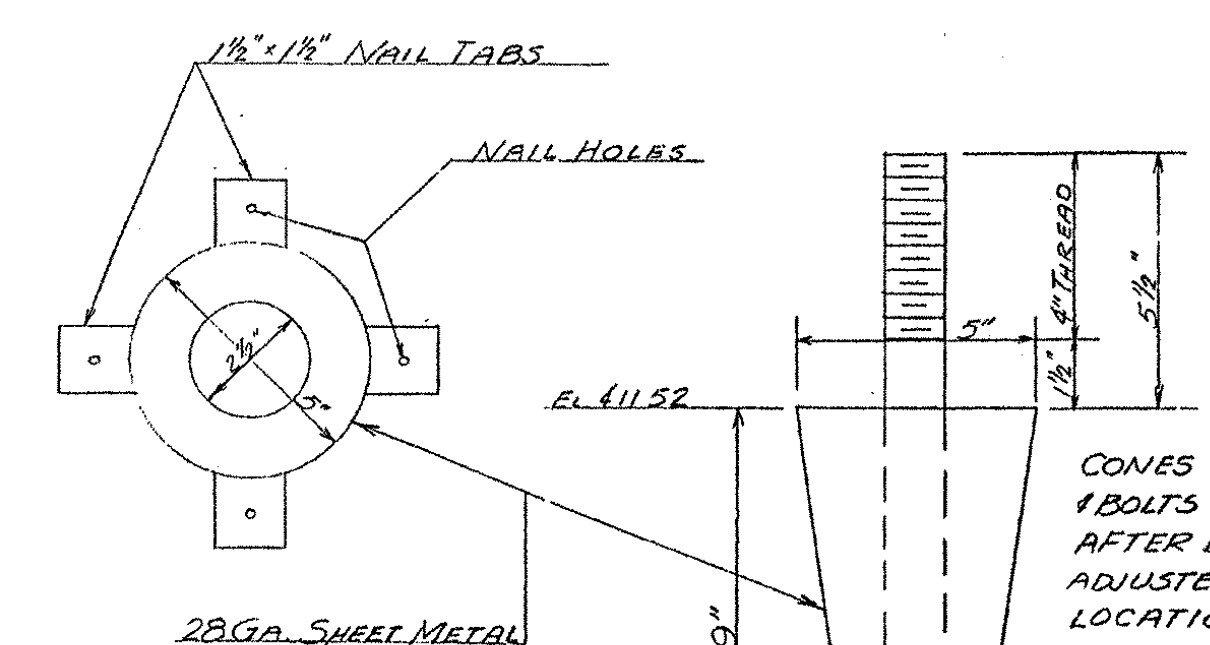
PLAN - A-A
 1/4" = 1'-0"



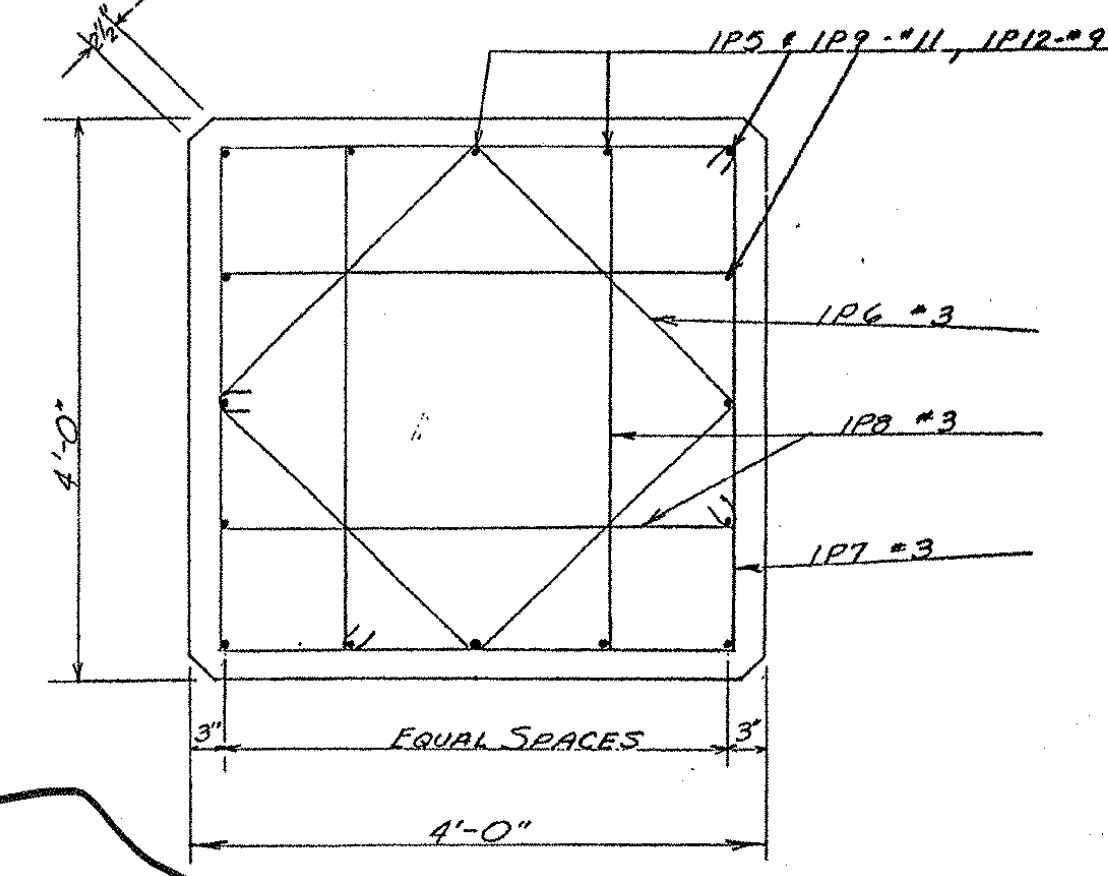
SECTION B-B
 3/4" = 1'-0"



SECTION C-C
 3/4" = 1'-0"



SHEET METAL CONE
 3" = 1'-0"



COLUMN SECTION
 3/4" = 1'-0" IM 091-1(33)
 This sheet for information only
 BR 3 N&S
 Sheet 106 of 114

IM 091-1(33)
 This sheet for information only
 BR 3 N&S
 Sheet 106 of 114

CAUTION:
 REPRODUCTION
 IS NOT TO SCALE

QUANTITIES (ONE BRIDGE ONLY)

NO	ITEM	NET	OVER- RUL	EST TOTAL	FINAL
107	STRUCTURE EXC.	198.00	20.00	218.00	183
401-B	CONCRETE CLASS "B"	182.00	9.00	193.00	186
402	REINFORCING STEEL (SEE REINFORCING STEEL SHEET)	16.54	-	16.54	14
407	ASPHALTIC ANTI-OXID COATING	16.54	-	16.54	14

STATE OF VERMONT
 DEPARTMENT OF HIGHWAYS

TOWN OF GUILFORD
 ROUTE NO. INTERSTATE LOG STA.
 DETAILS OF PIER #1
 AT STA 326+46
 SCALE AS SHOWN
 SURVEYED BY POGAR
 DRAWN BY R.L.B. CHECKED BY HES
 PROJECT NO. I-001-1(6)
 SHEET 106 OF 114