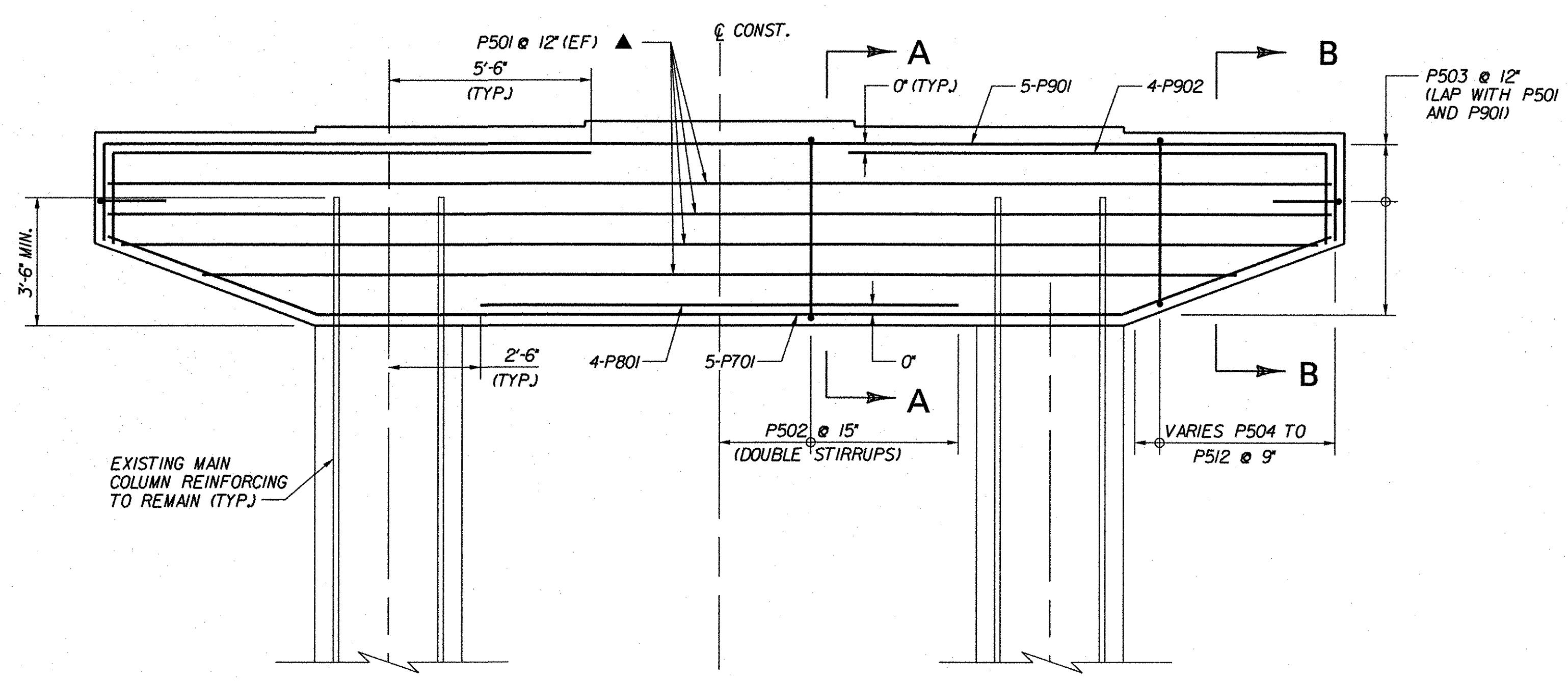
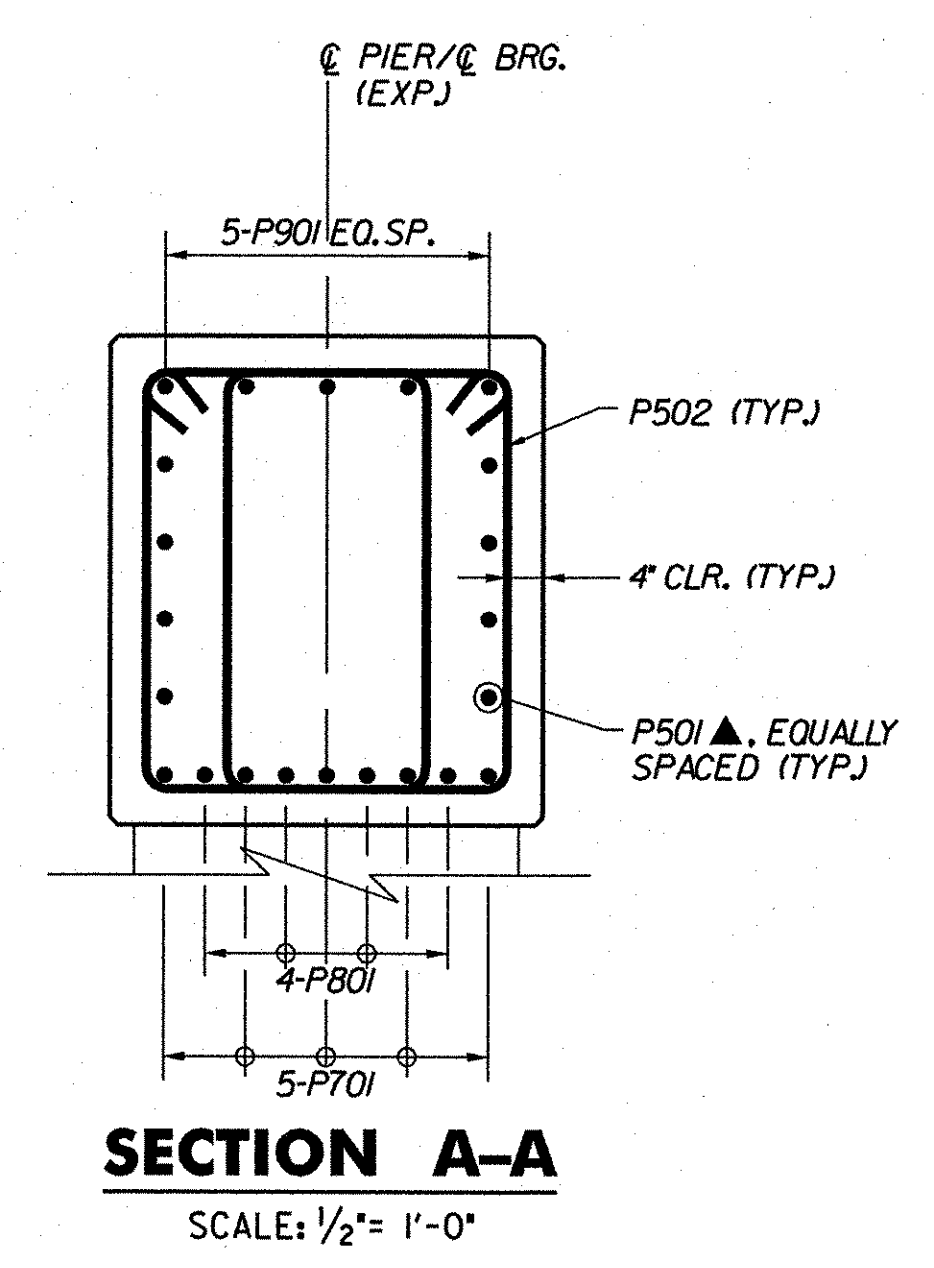


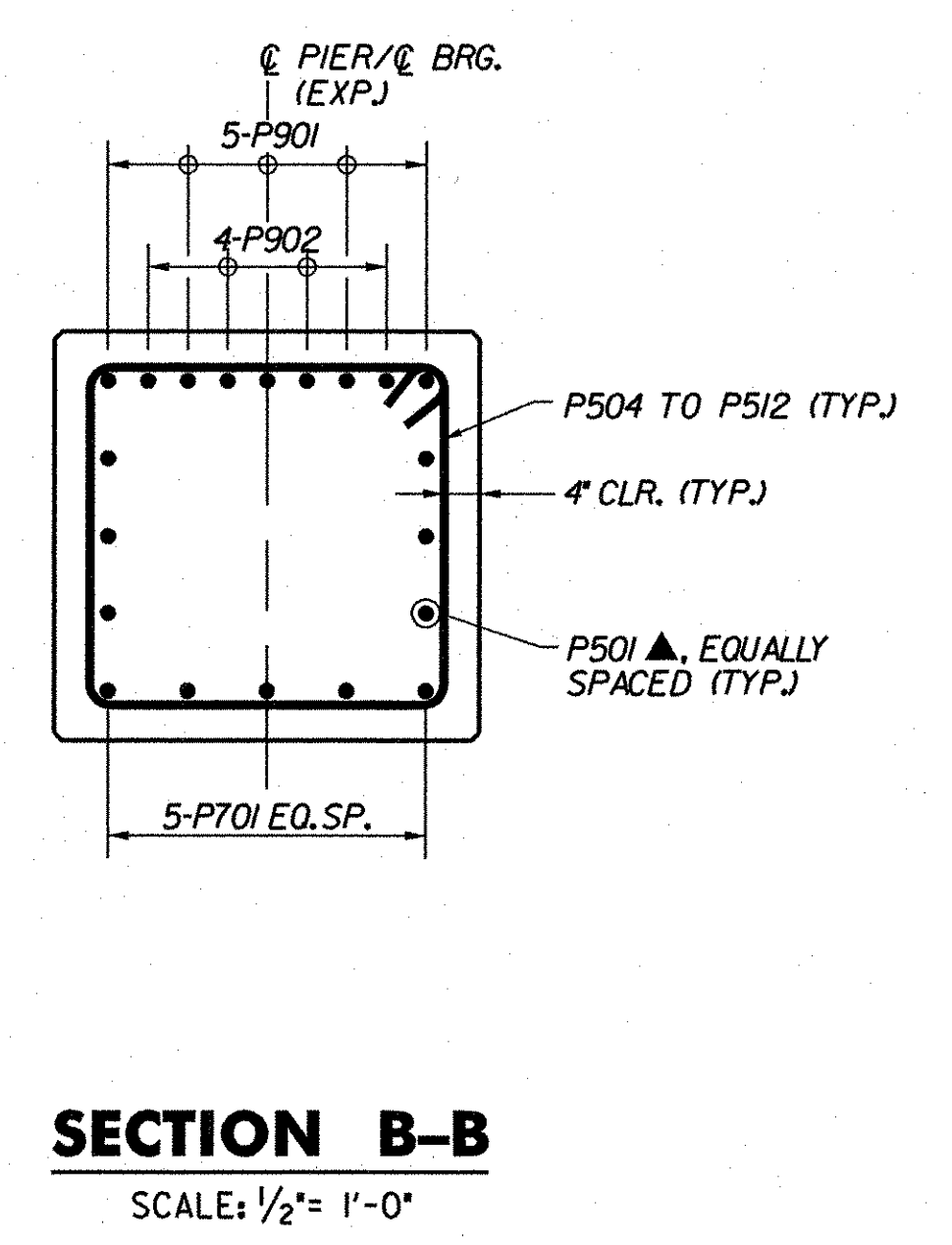
(REINFORCEMENT SYMMETRICAL ABOUT &#226; CONST.)  
**PLAN (3S)**  
 SCALE: 3/8" = 1'-0"



(REINFORCEMENT SYMMETRICAL ABOUT &#226; CONST.)  
**PIER ELEVATION (3S)**  
 SCALE: 3/8" = 1'-0"



**SECTION A-A**  
 SCALE: 1/2" = 1'-0"



**SECTION B-B**  
 SCALE: 1/2" = 1'-0"

- KEY**
- NF NEAR FACE
  - FF FAR FACE
  - EF EACH FACE
  - ▲ REINFORCEMENT TO BE CUT TO FIT IN THE FIELD

**STATE OF VERMONT  
 AGENCY OF TRANSPORTATION**

Town Of	GUILFORD	Bridge No.	<b>3S</b>
Highway No.	I-91	Log Sta.	
		Surv. Sta.	
I-91 SB OVER BROAD BROOK & BROAD BROOK ROAD			
<b>PIER REINFORCEMENT (3S)</b>			
Designed By	M.J. MOZER	Drawn By	D.M. BOWEN
Checked By	Date	Bridge Design Supervisor	Date
	P.W. SZUSTAK 01/03	J.P. HALSTEAD	01/03
PROJECT	GUILFORD	PROJECT NO.	IM 91-1(33)
TVGA CAD Drawing No.	G SB PRF.dgn	Date	04/28/08
Bridge Sheet No.	BRI49	Sheet	75 of 114