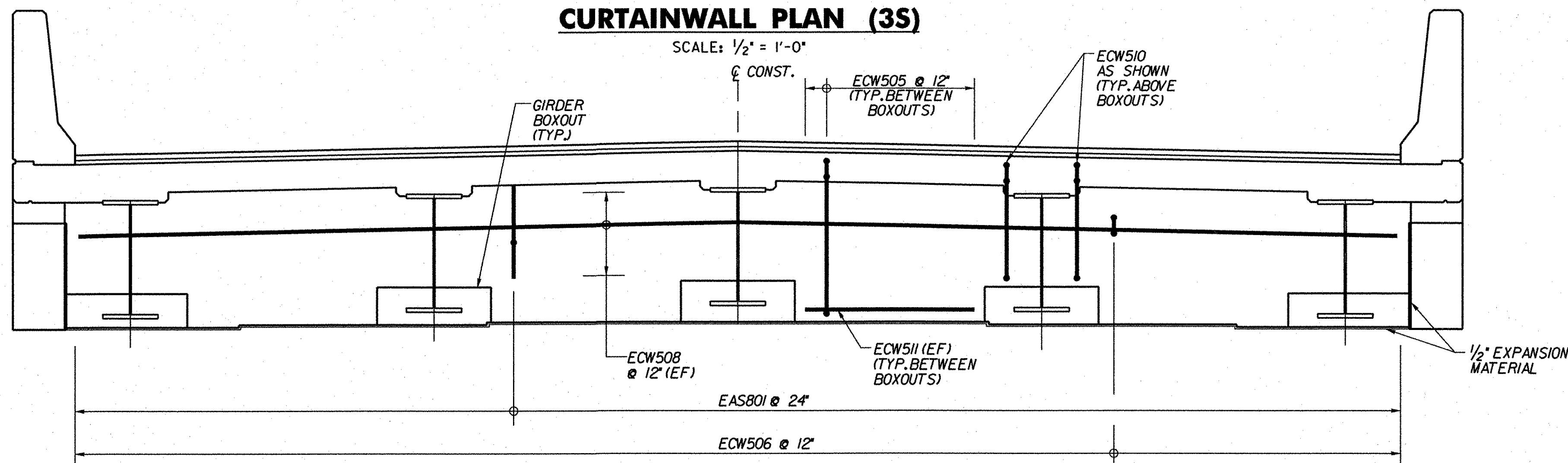


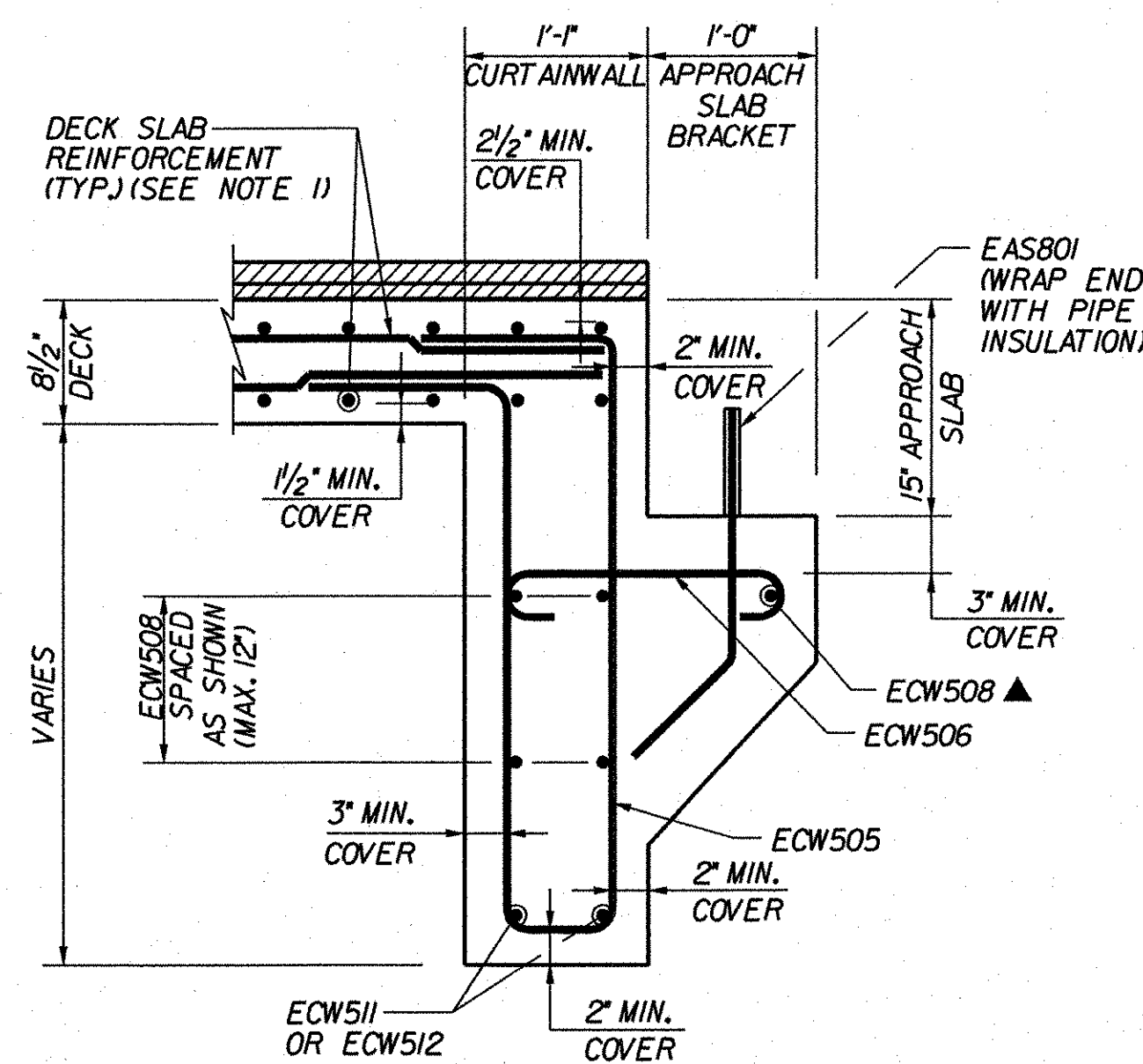
CURTAINWALL PLAN (3S)

SCALE: 1/2" = 1'-0"



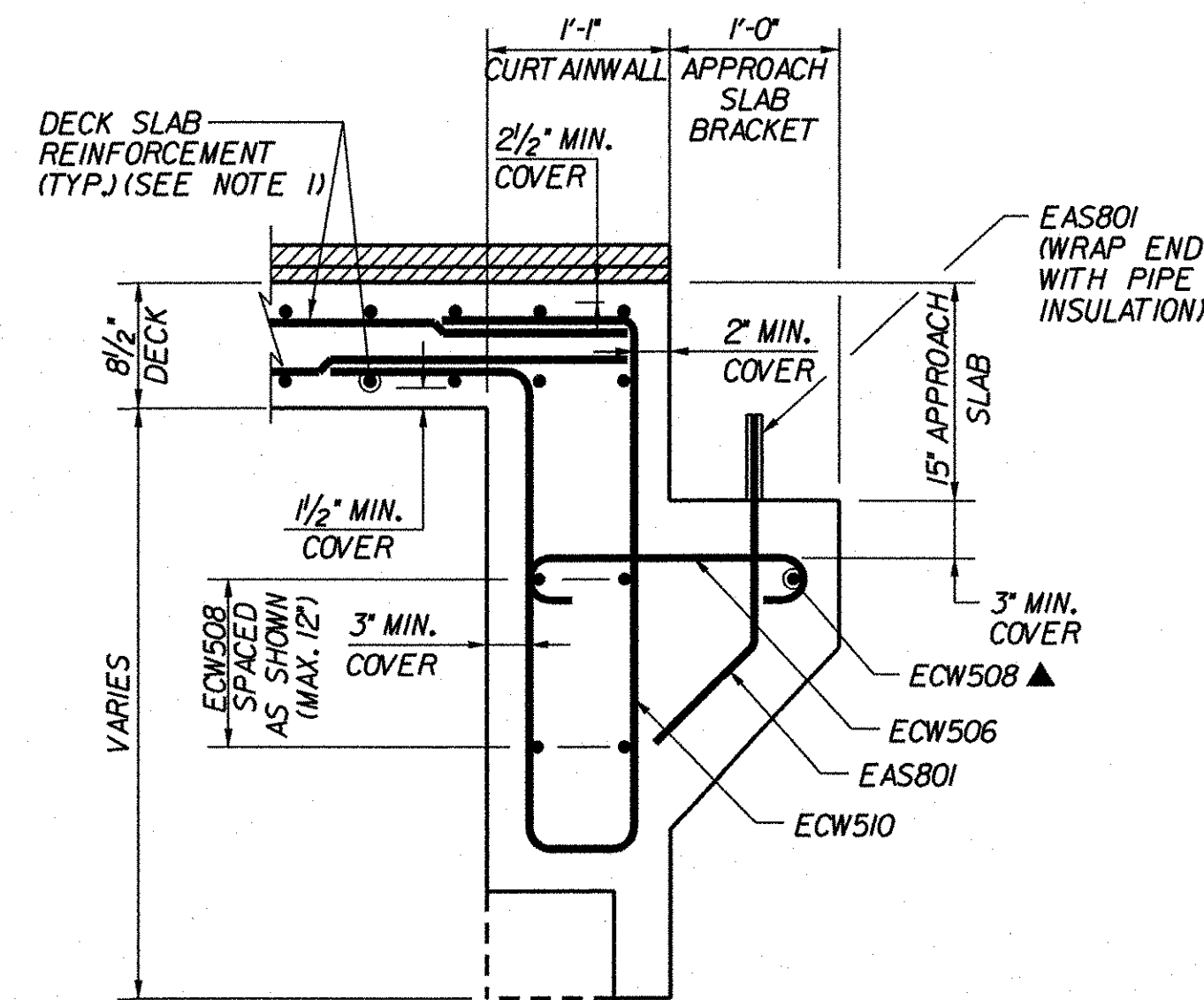
CURTAINWALL ELEVATION (3S)

SCALE: 1/2" = 1'-0"



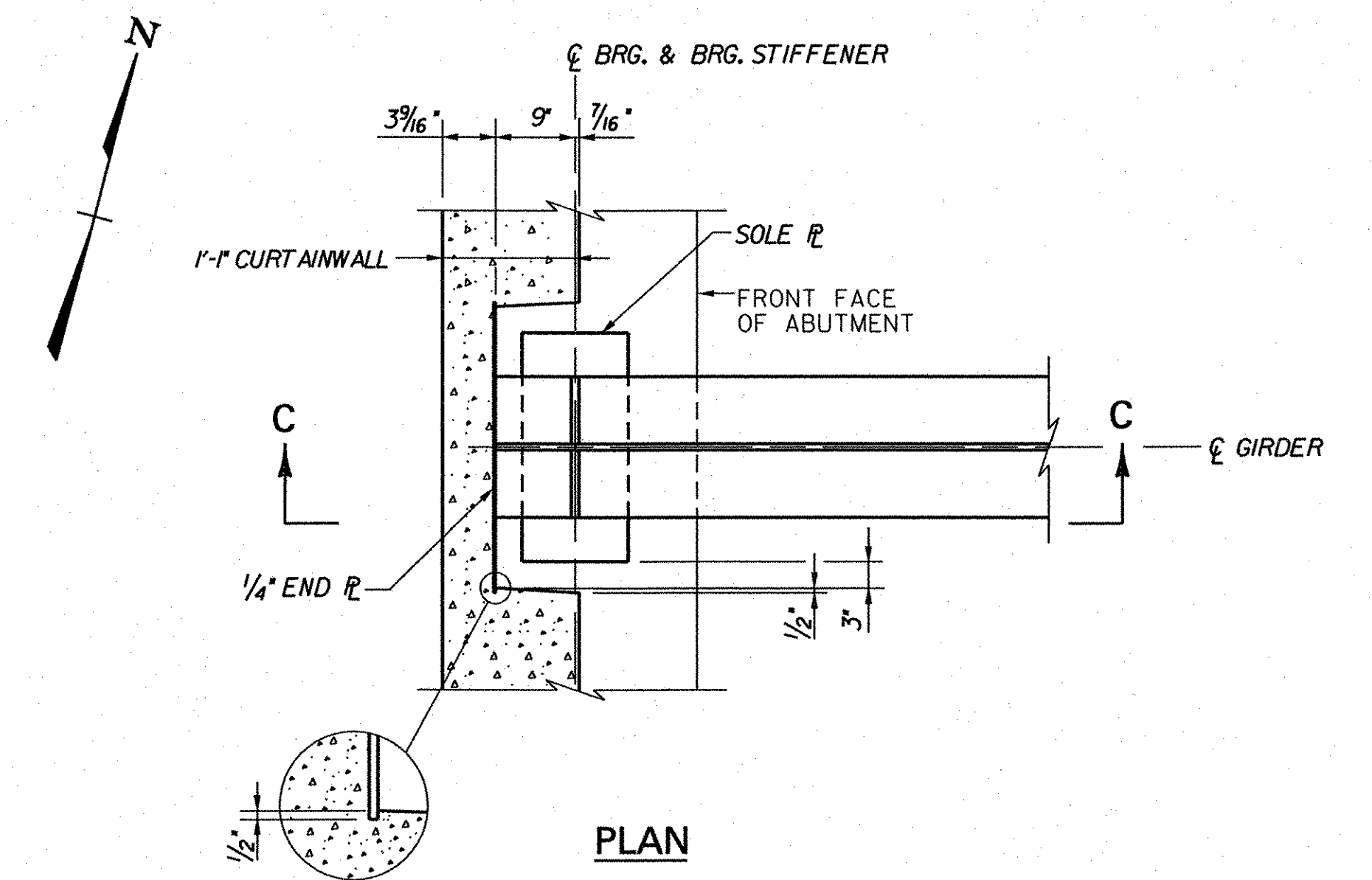
SECTION A-A

SCALE: 1" = 1'-0"

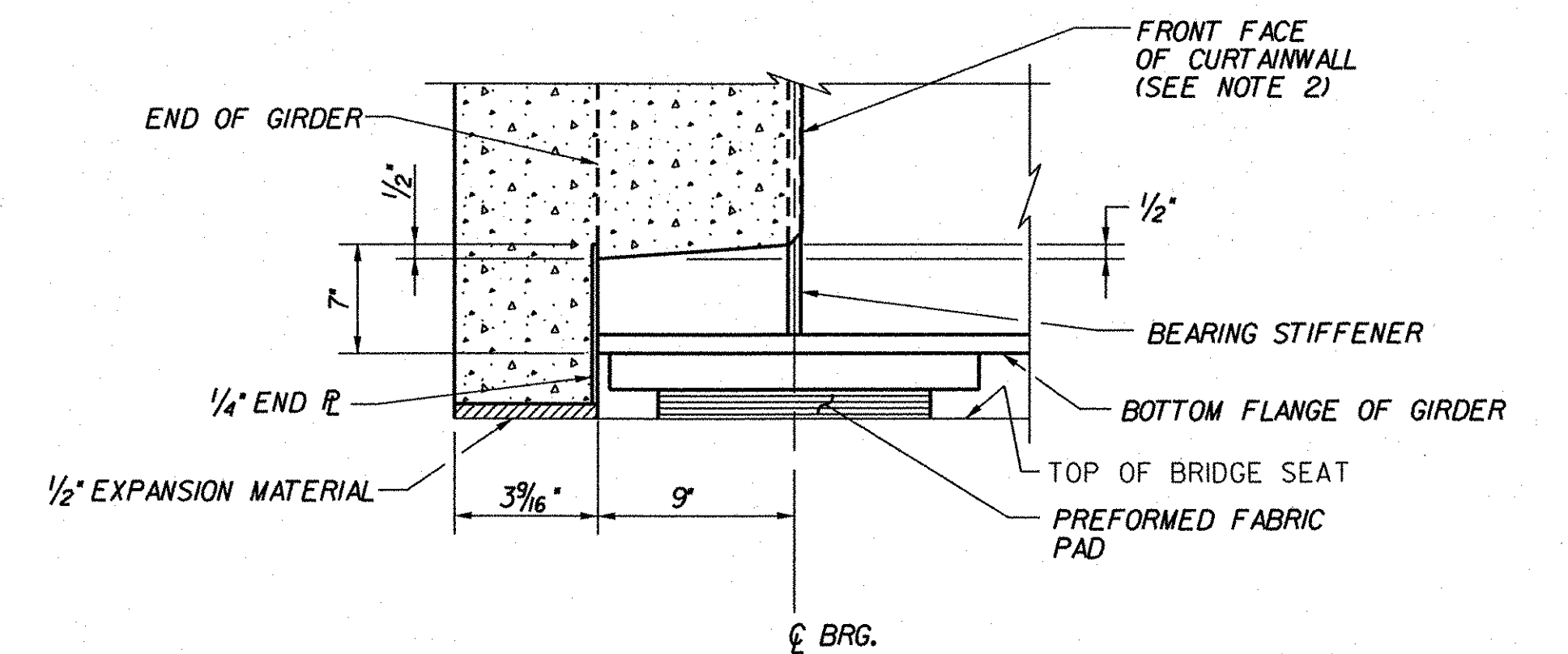


SECTION B-B

SCALE: 1" = 1'-0"



PLAN



SECTION C-C

GIRDER BOXOUT DETAILS

NOT TO SCALE

NOTES:

- FOR DETAILS OF DECK REINFORCEMENT, SEE DECK REINFORCEMENT DRAWINGS FOR EACH BRIDGE.
- FRONT FACE OF CURTAINWALL SHALL BE EQUAL WITH THE FRONT FACE OF BEARING STIFFENER.

KEY

- NF NEAR FACE
- FF FAR FACE
- EF EACH FACE
- ▲ REINFORCEMENT TO BE CUT TO FIT IN THE FIELD

**STATE OF VERMONT
AGENCY OF TRANSPORTATION**

Town Of	GUILFORD	Bridge No.	35
Highway No.	I-91	Log Sta.	
		Surv. Sta.	
I-91SB OVER BROAD BROOK & BROAD BROOK ROAD			
ABUTMENT 2 CURTAINWALL DETAILS (3S)			
Designed By	M.J. MOZER	Drawn By	G.K. MORZE
Checked By	Date	Bridge Design Supervisor	
	P.W. SZUSTAK 01/03	J.P. HALSTEAD	Date 01/03
PROJECT	GUILFORD	PROJECT NO.	IM 091-1(33)
		Date	04/28/08