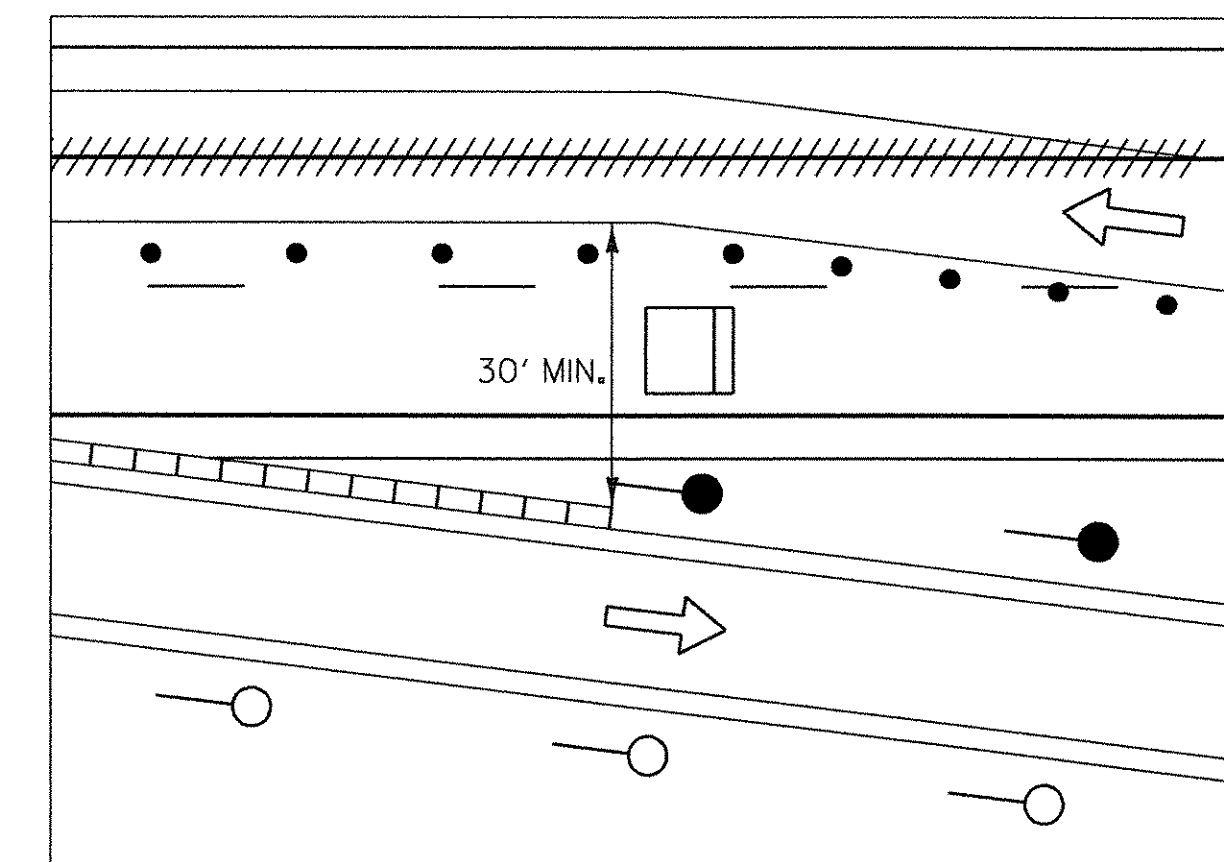
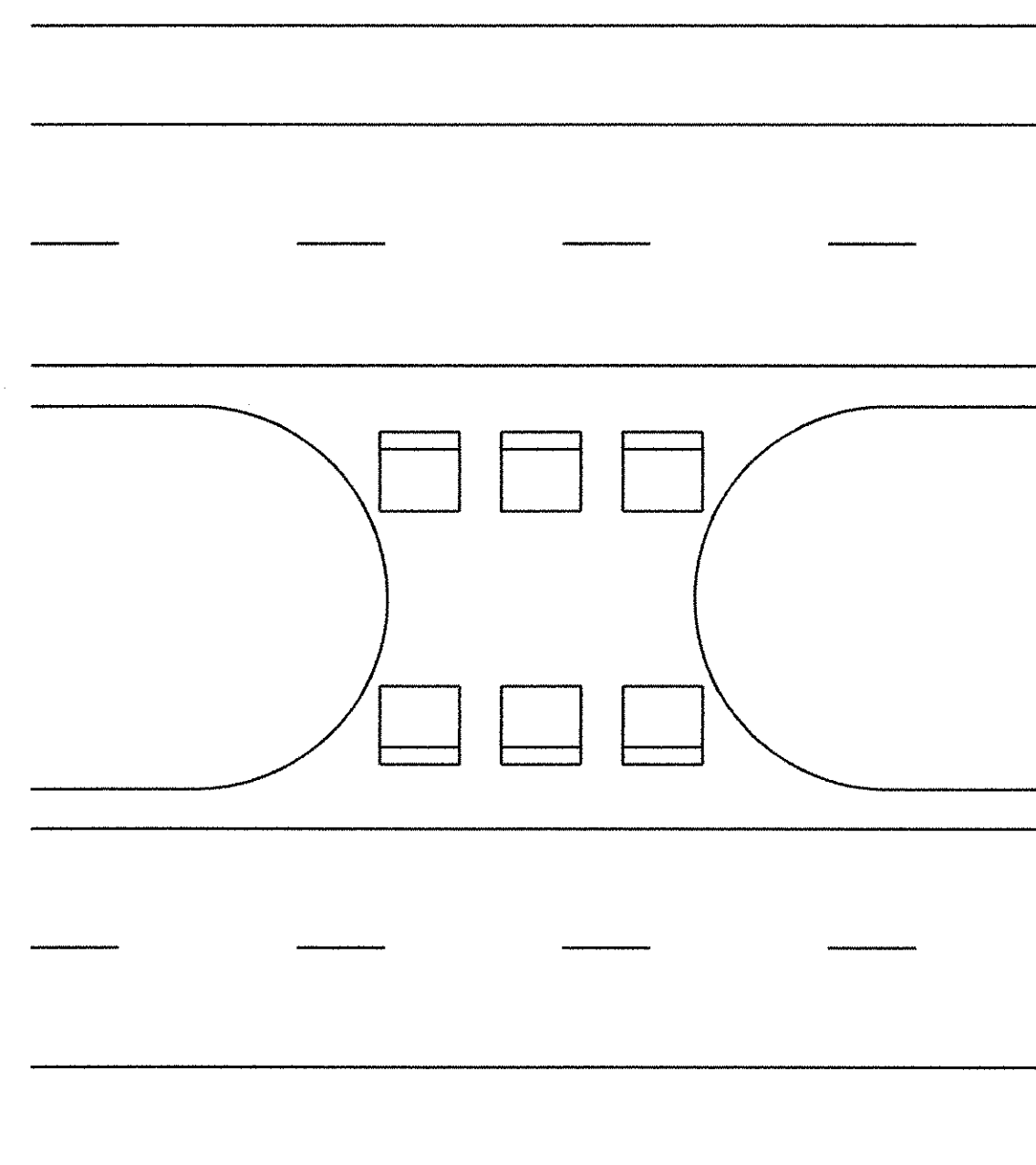


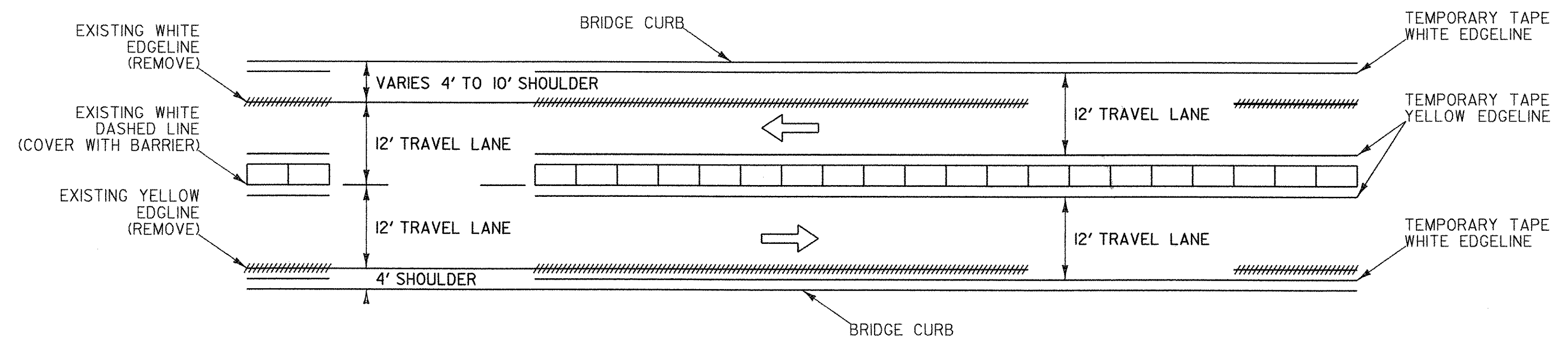
CROSSOVER ENTRANCE PLAN



CROSSOVER EXIT PLAN



CLOSING OFF U-TURN



PLAN VIEW - TEMPORARY TRAFFIC CONTROL FOR TWO WAY DIVIDED HIGHWAY ON A BRIDGE

LEGEND

- ➔ FLOW OF TRAFFIC
- RETROREFLECTIVE PLASTIC DRUM
- ▣ FLASHING ARROW PANEL
- ▤ TYPE III BARRICADE
- ▥ TYPE III (MOD.) BARRICADE
- ▧ PAVEMENT MARKING REMOVAL
- ▨ TEMPORARY BARRIER
- ▩ WORK AREA
- TYPE I DELINEATOR (WHITE)
- TYPE I DELINEATOR (YELLOW)

NOTES

1. THE FOLLOWING PLANS SHEETS HAVE BEEN DETAILED CALLING FOR "PAVEMENT MARKING REMOVAL". HOWEVER, BOTH NORTHBOUND AND SOUTHBOUND LANES HAVE BEEN PAVED WITHIN THE PAST TWO YEARS AND VTRANS DOES NOT LIKE TO GRIND NEW PAVEMENT. THEREFORE, UNLESS OTHERWISE DIRECTED BY THE RESIDENT ENGINEER, THESE LINES ARE TO BE COVERED WITH ITEM 646.86, "PAVEMENT MARKING MASK".
2. RUMBLE STRIPS SHALL BE FILLED AS NECESSARY, AS LANE SHIFTS NEAR OR ON TO RUMBLE STRIP. COST FOR FILLING RUMBLE STRIPS SHALL BE INCIDENTAL TO ITEM 641.10, "TRAFFIC CONTROL".

TRAFFIC CONTROL DIVIDED HIGHWAY ONE ROADWAY CLOSED

| | |
|-----------------|--|
| PROJECT NAME: | GUILFORD |
| PROJECT NUMBER: | IM 091-1(33) |
| FILE NAME: | 95d176\structures\sdl76top.dgrPLOT DATE: 27-MAY-2008 |
| PROJECT LEADER: | Farnsworth |
| DRAWN BY: | Weeber |
| DESIGNED BY: | Farnsworth |
| CHECKED BY: | Farnsworth |
| | SHEET 25 OF 114 |