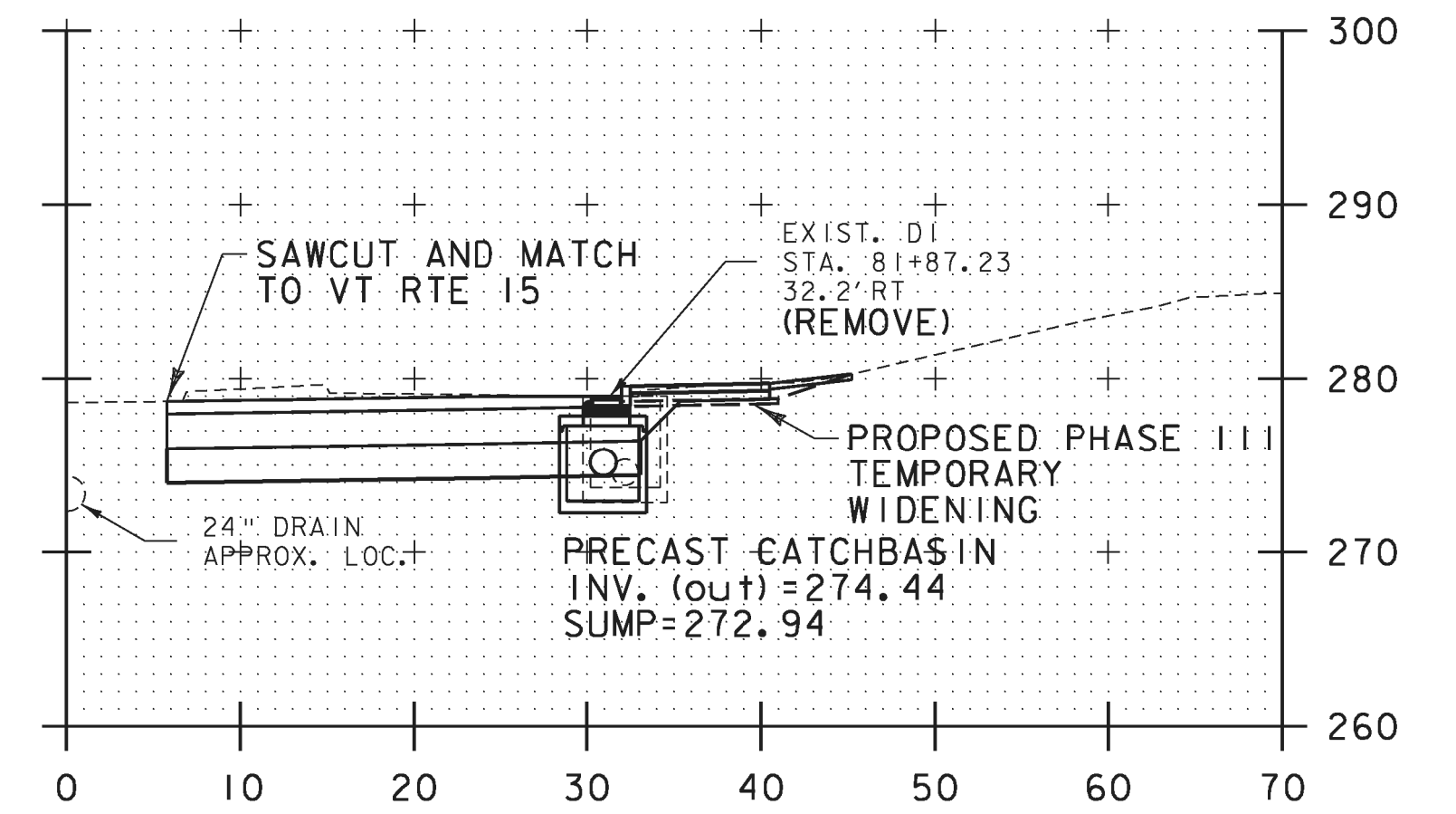
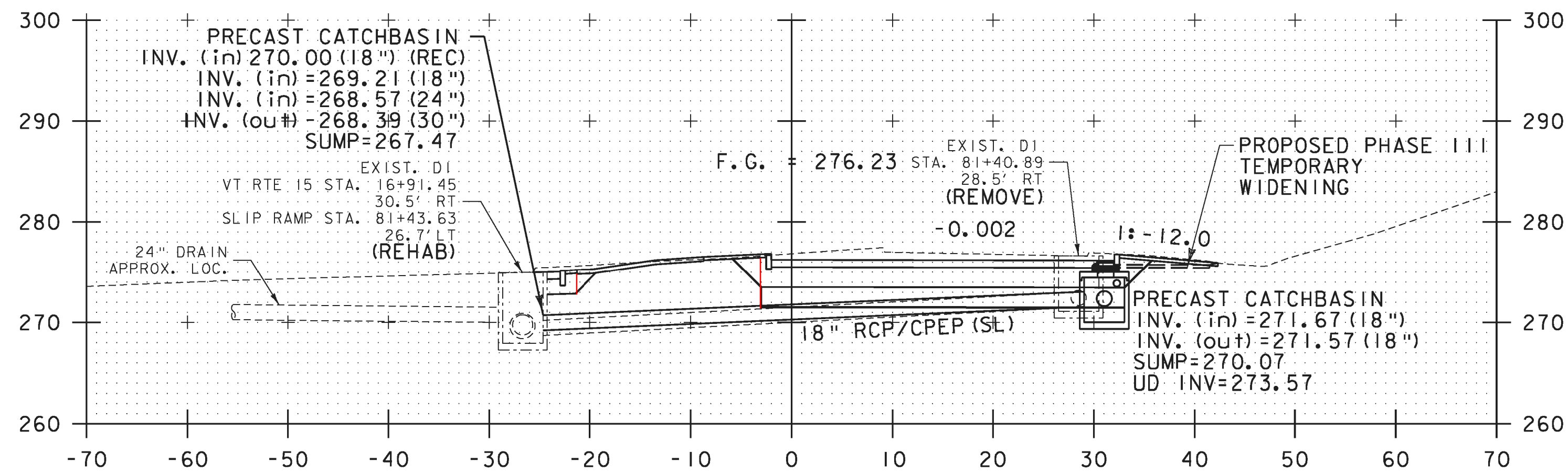


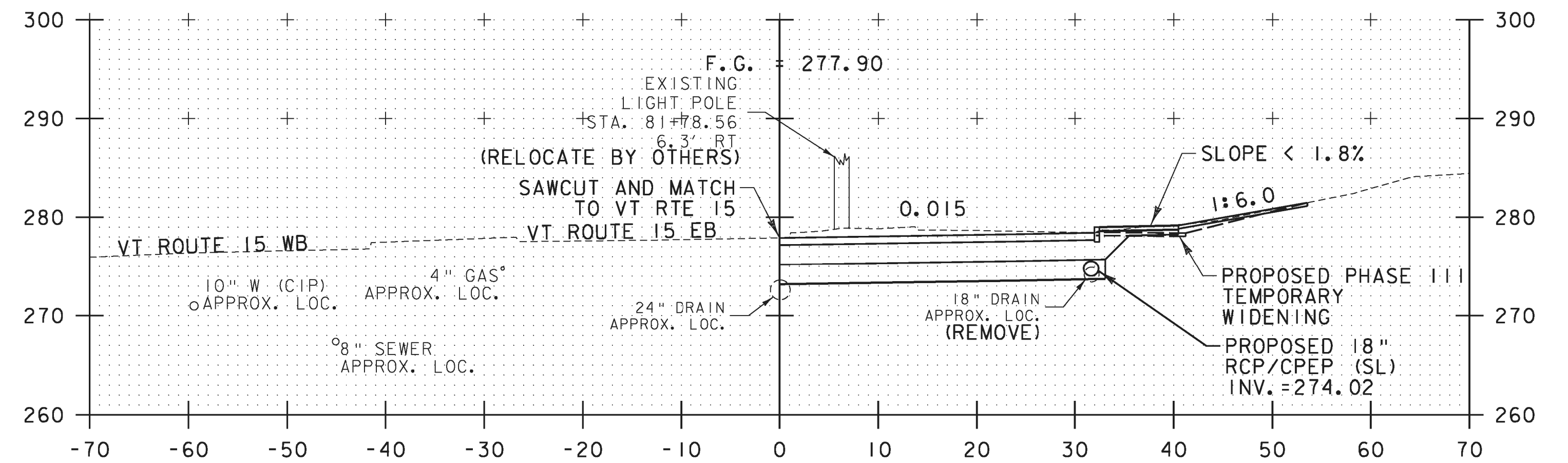
81+50



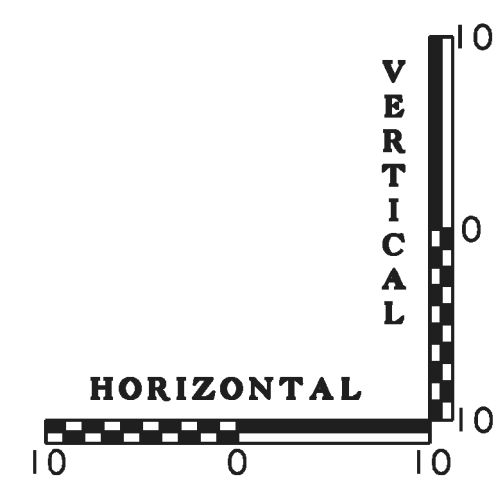
81+87.23 CB



81+42.52 CB
SKEWED 2° 41' 03.5"



81+77.21
END FULL DEPTH RECONSTRUCTION



PROJECT NAME:	WINOOSKI	PLOT DATE:	2/26/2010
PROJECT NUMBER:	NH 089-3(65)	DRAWN BY:	T.BIGELOW
FILE NAME:	z94a198xsl.dgn	CHECKED BY:	E.ATKINS
PROJECT LEADER:	KEN UPMAL	SHEET	66 OF 67
DESIGNED BY:	T.BIGELOW		
SLIP RAMP CROSS SECTIONS SHEET 2			