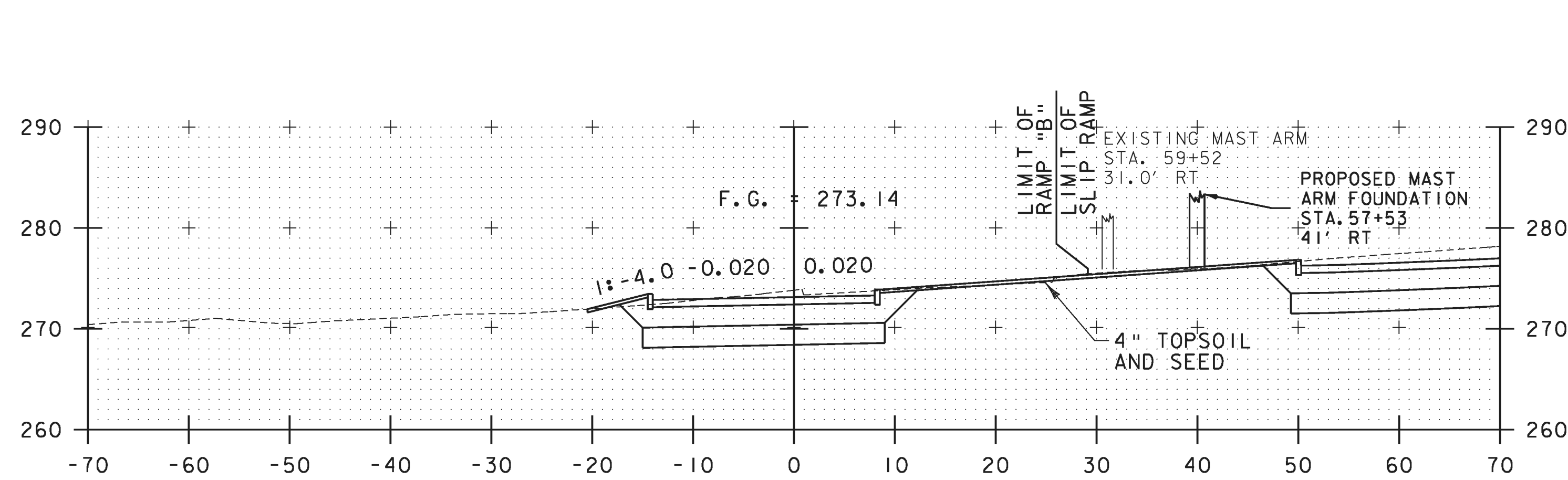


MATCH TO EXISTING CROSS SLOPES AT STA. 52+00.00.

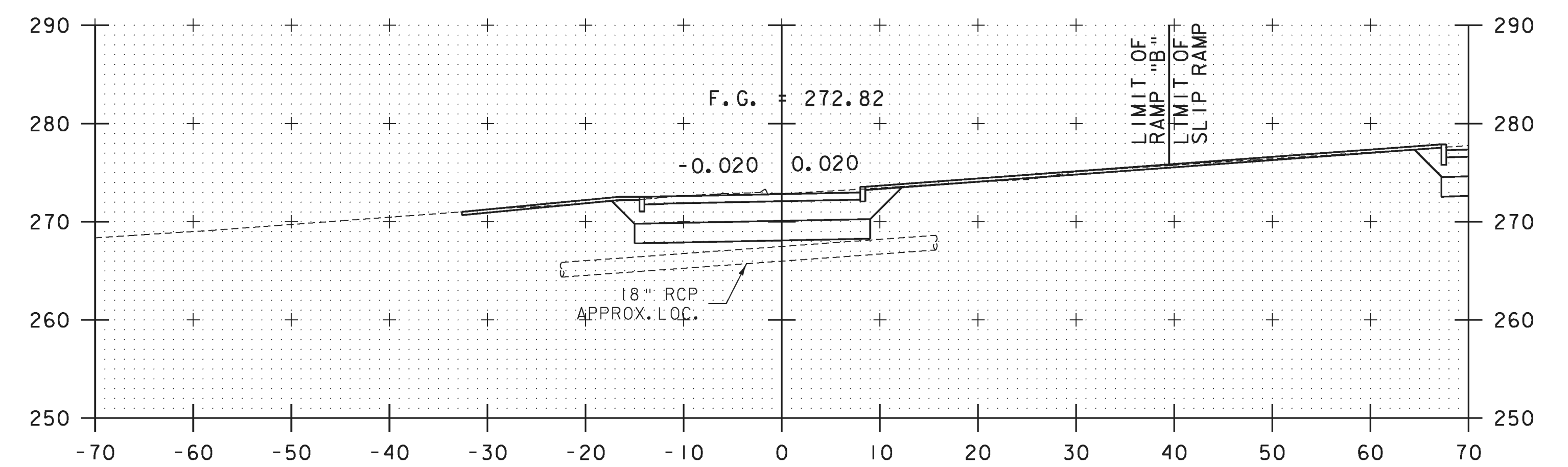
**RAMP "B" AND SLIP RAMP BANKING DIAGRAM**

HZ. SCALE 1" = 40'  
VT. SCALE 1" = 0.025'

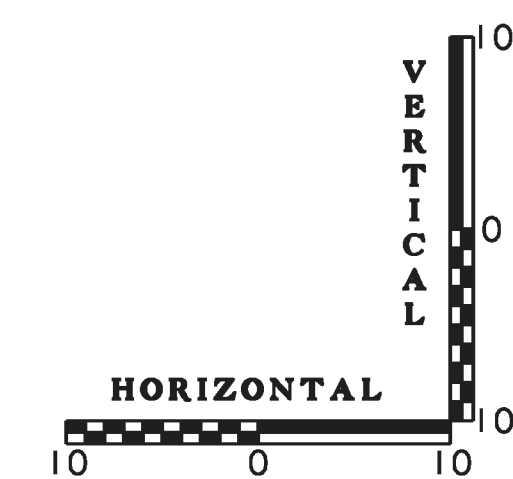
END FULL DEPTH RECONSTRUCTION  
END PROJECT  
STA. 59+67.66  
ELEV. = 272.70



59+50



59+62.97 PT



PROJECT NAME: WINOOSKI  
PROJECT NUMBER: NH 089-3(65)

FILE NAME: z94a198xsl.dgn  
PROJECT LEADER: KEN UPMAL  
DESIGNED BY: T.BIGELOW  
RAMP "B" CROSS SECTIONS SHEET 5

PLOT DATE: 2/22/2010  
DRAWN BY: T.BIGELOW  
CHECKED BY: E.ATKINS  
SHEET 64 OF 67