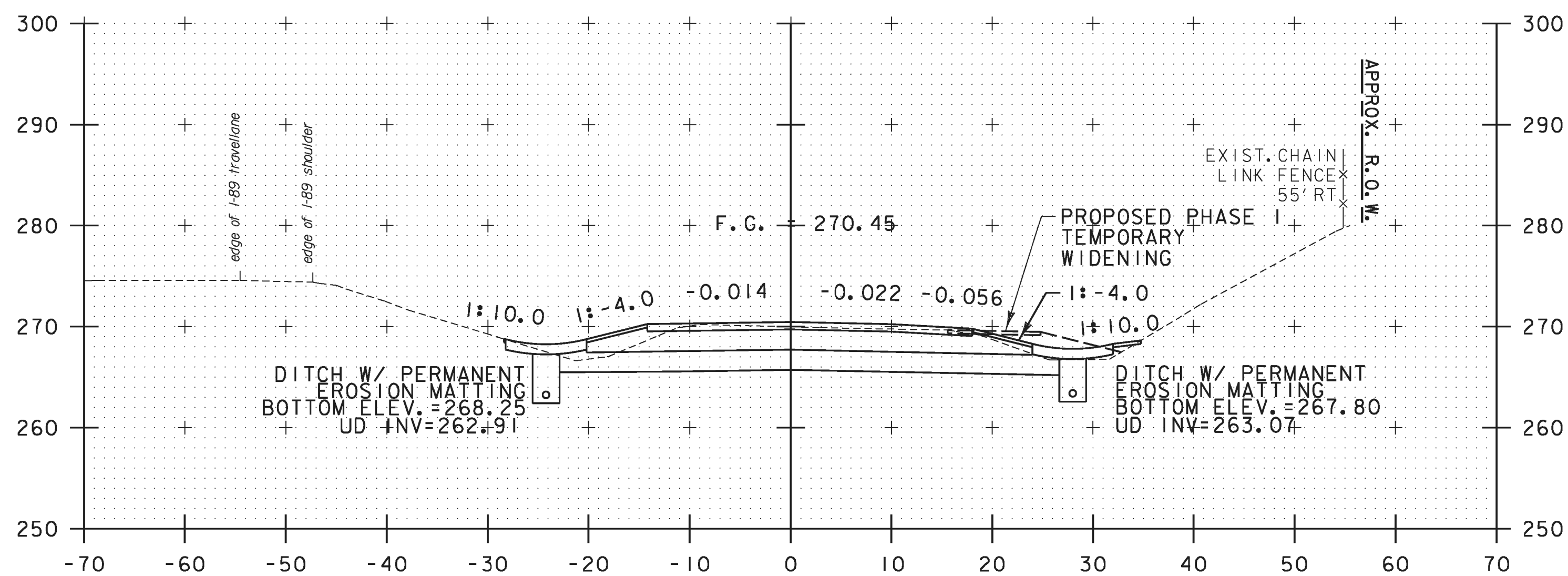
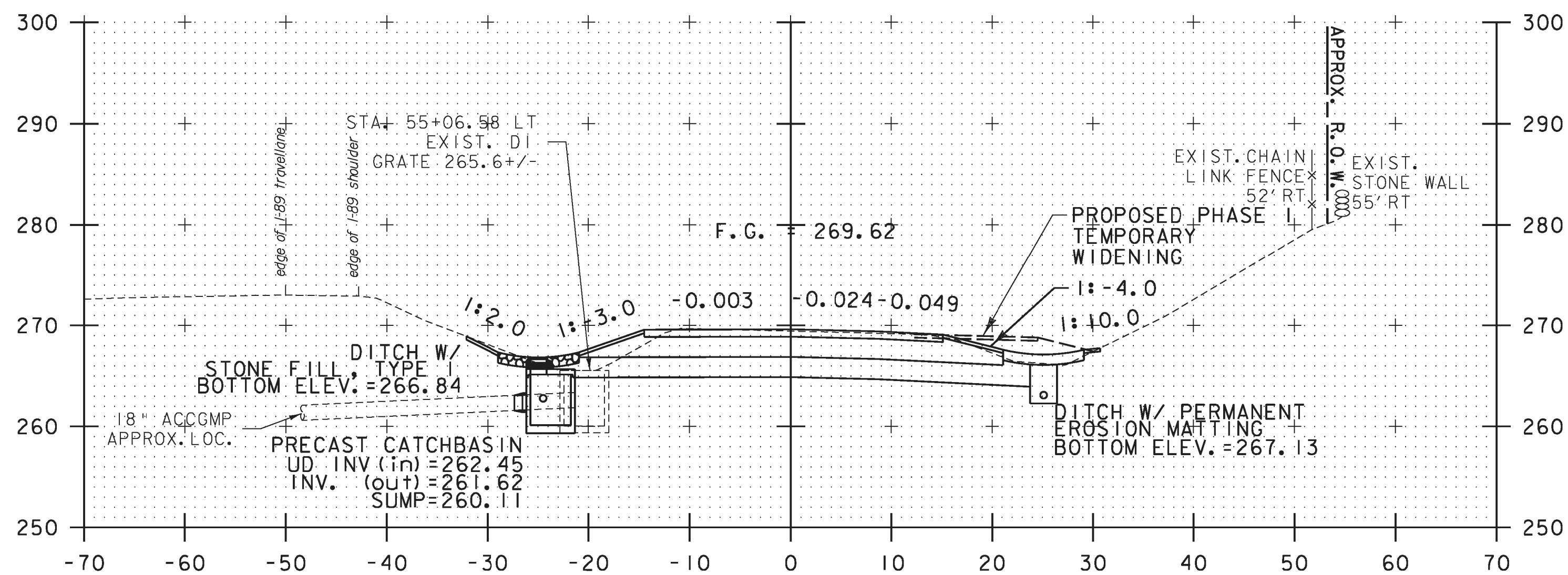


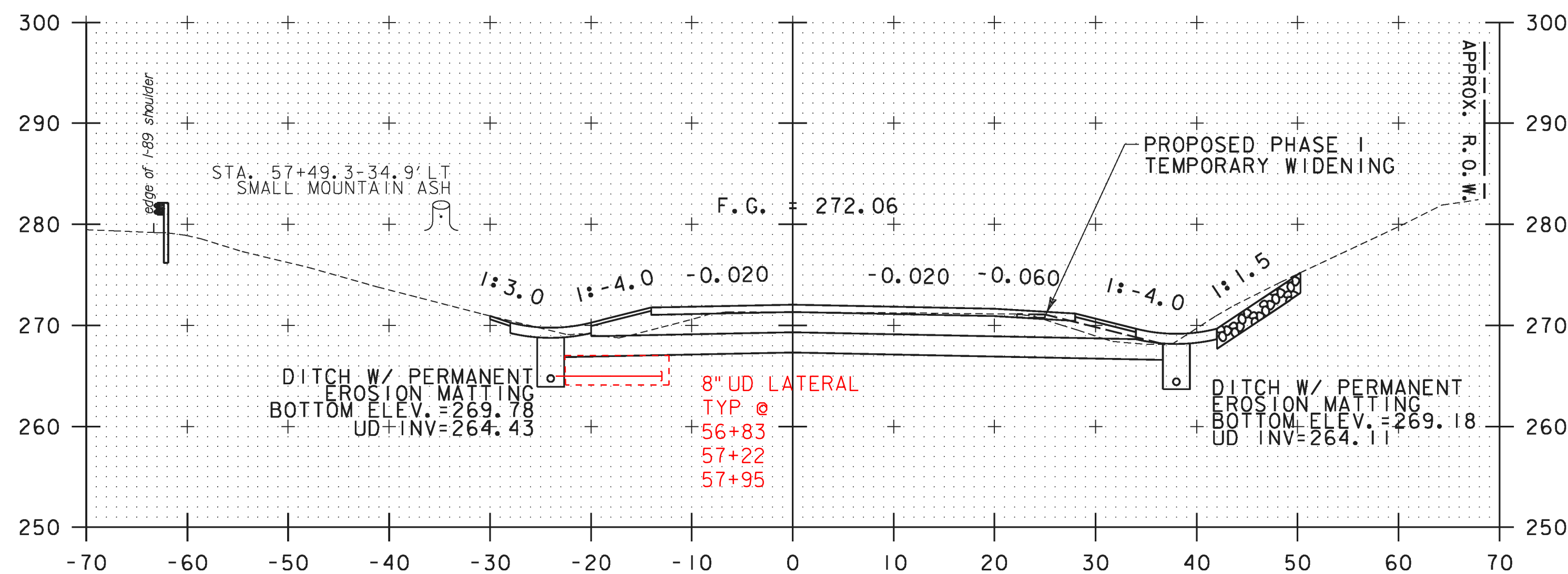
56+00



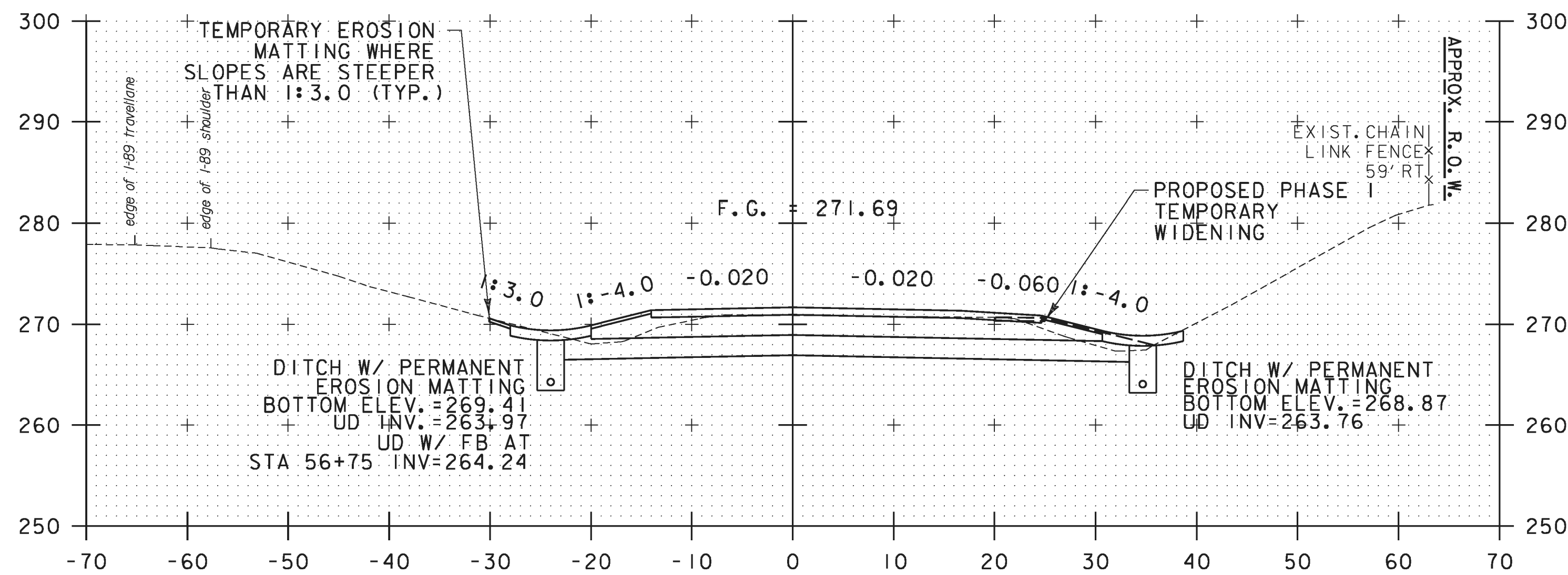
55+50



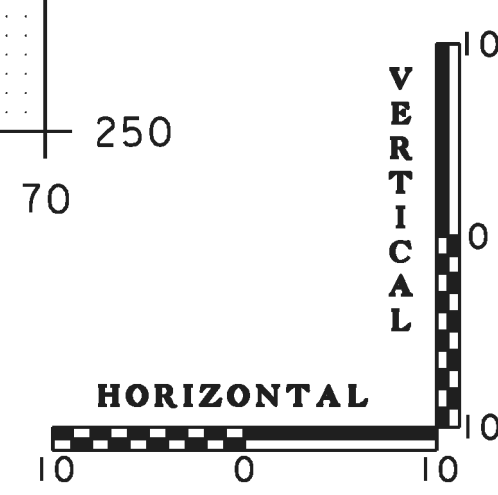
55+06.58 CB



57+00



56+50



PROJECT NAME:	WINOOSKI
PROJECT NUMBER:	NH 089-3(65)
FILE NAME:	z94a198xsl.dgn
PROJECT LEADER:	KEN UPMAL
DESIGNED BY:	T.BIGELOW
RAMP *B* CROSS SECTIONS SHEET 3	
PLOT DATE:	2/23/2010
DRAWN BY:	T.BIGELOW
CHECKED BY:	E.ATKINS
SHEET	62 OF 67