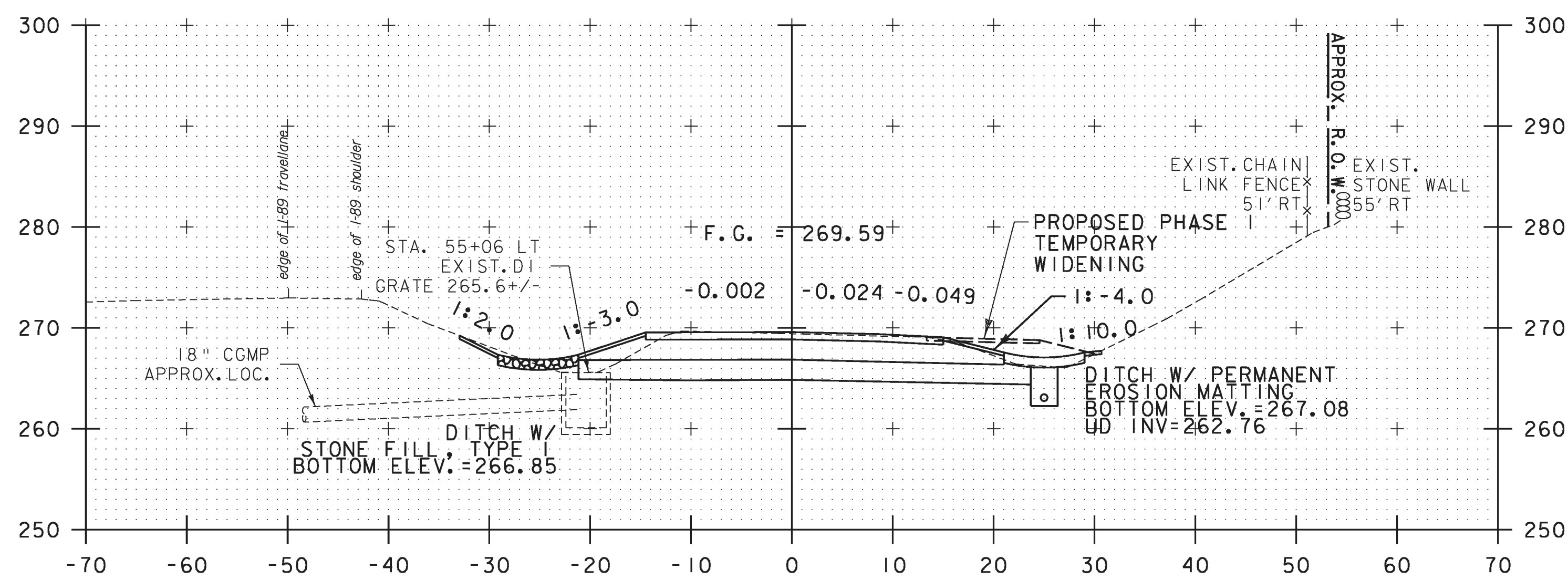
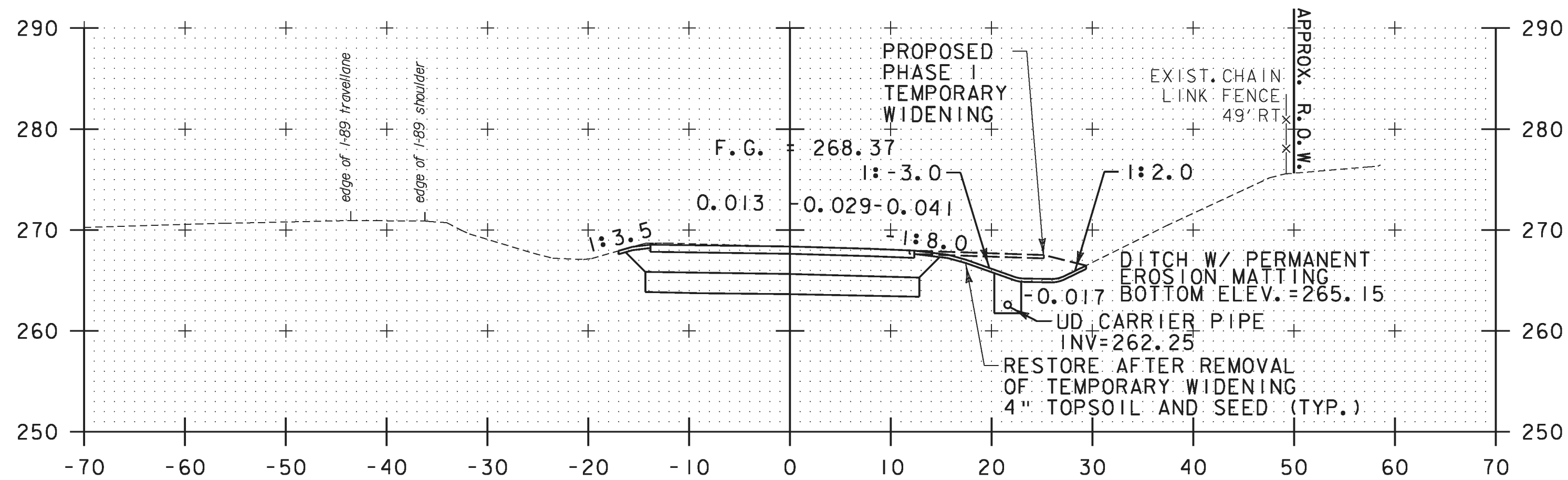


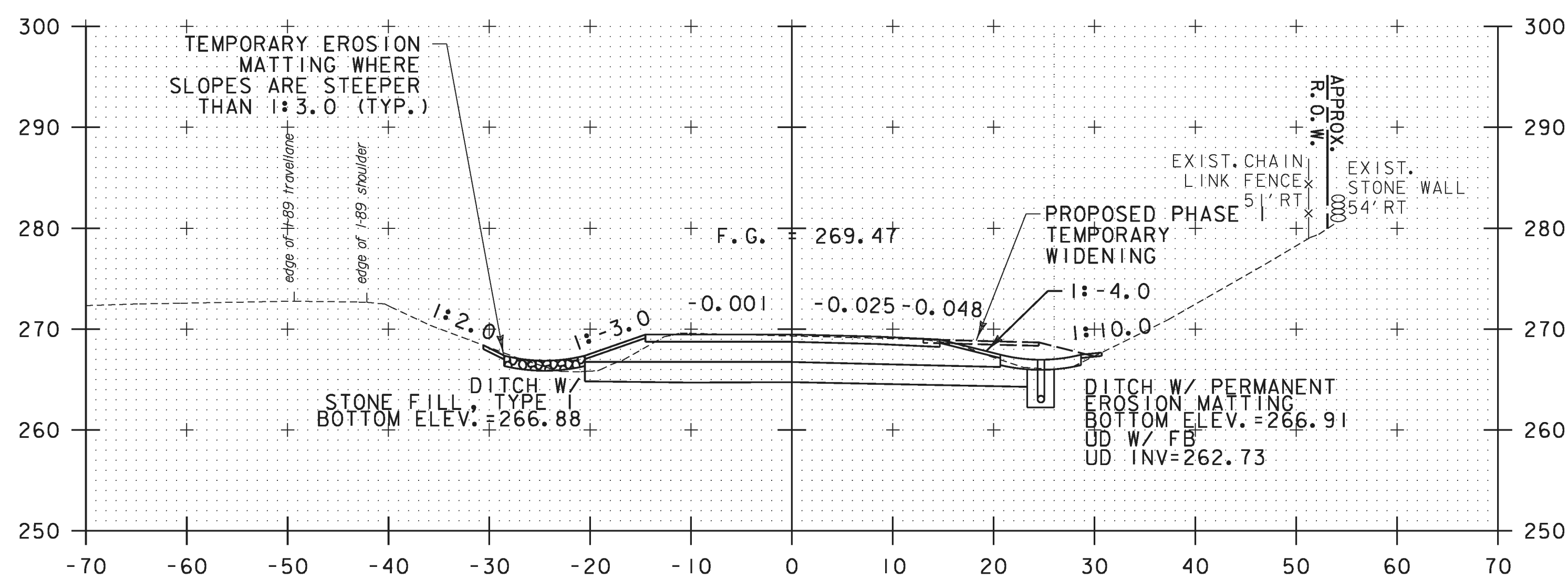
54+50.97 PC



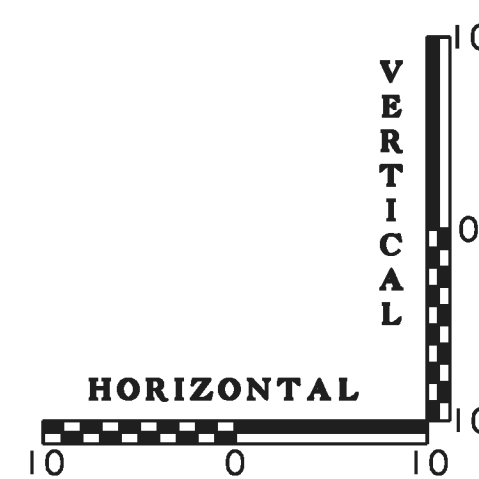
55+05.43 PT



54+50



55+00



PROJECT NAME:	WINOOSKI
PROJECT NUMBER:	NH 089-3(65)
FILE NAME:	z94a198xsl.dgn
PROJECT LEADER:	KEN UPMAL
DESIGNED BY:	T.BIGELOW
RAMP 'B' CROSS SECTIONS SHEET 2	
PLOT DATE:	2/23/2010
DRAWN BY:	T.BIGELOW
CHECKED BY:	E.ATKINS
SHEET	61 OF 67