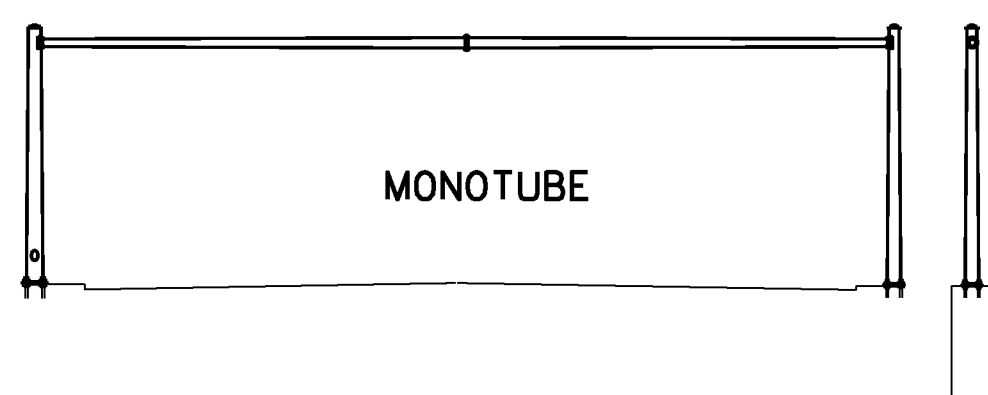
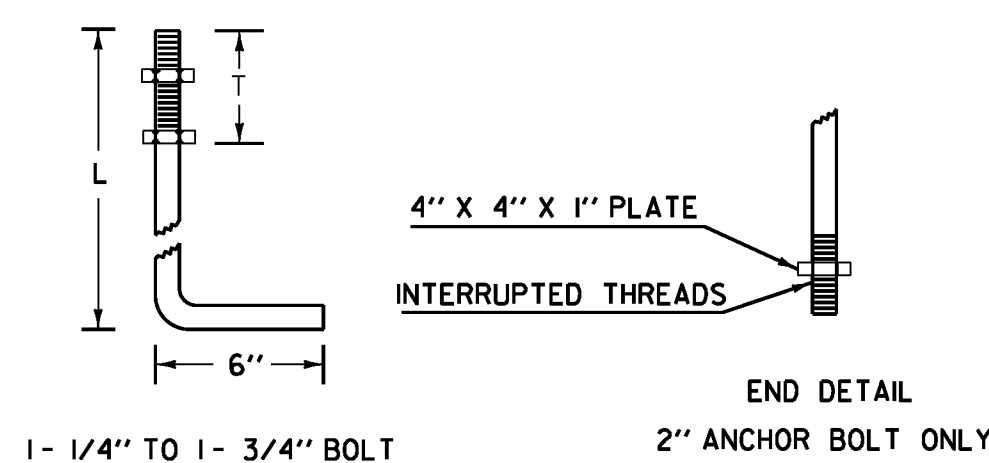


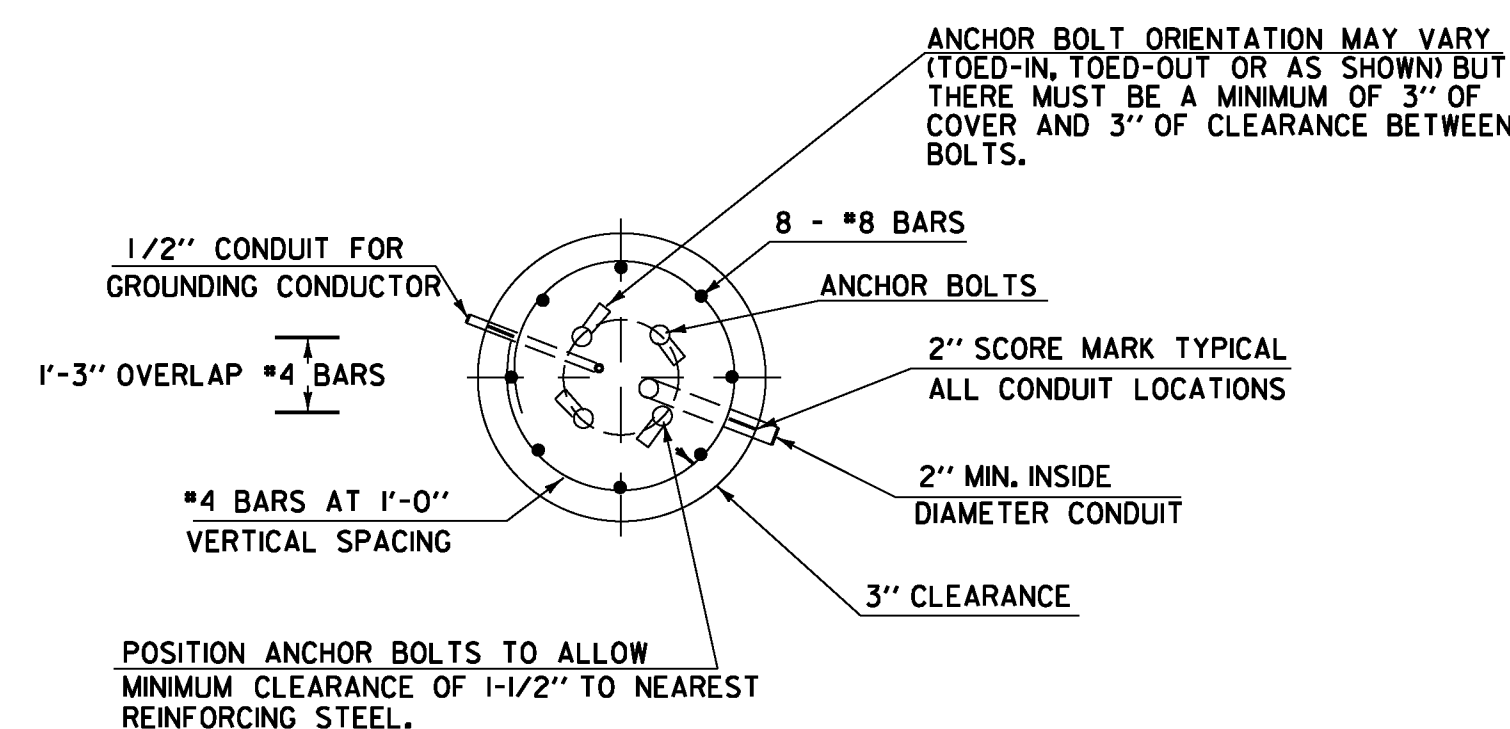
DETAIL A



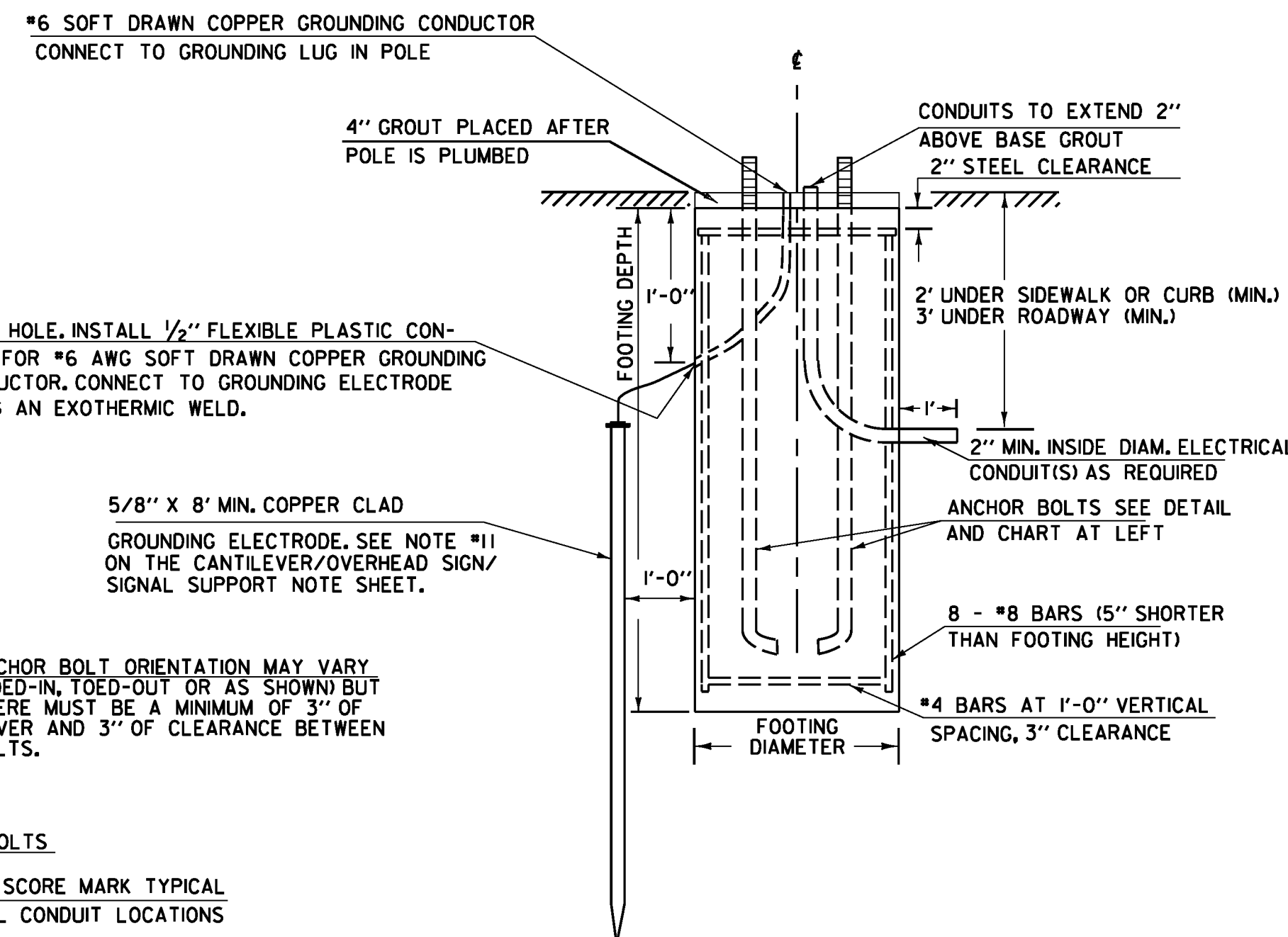
ANCHOR BOLT DETAIL		
SIZE	L (IN)	T (IN)
1- 1/4" X 48"	42	8
1- 1/2" X 60"	54	9
1- 3/4" X 90"	84	9
2" X 96"	96	9



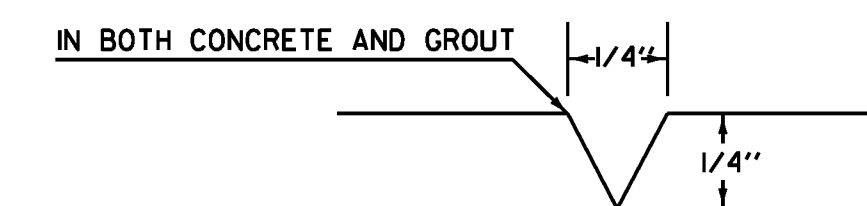
ANCHOR BOLT DETAIL



SECTION



ELEVATION

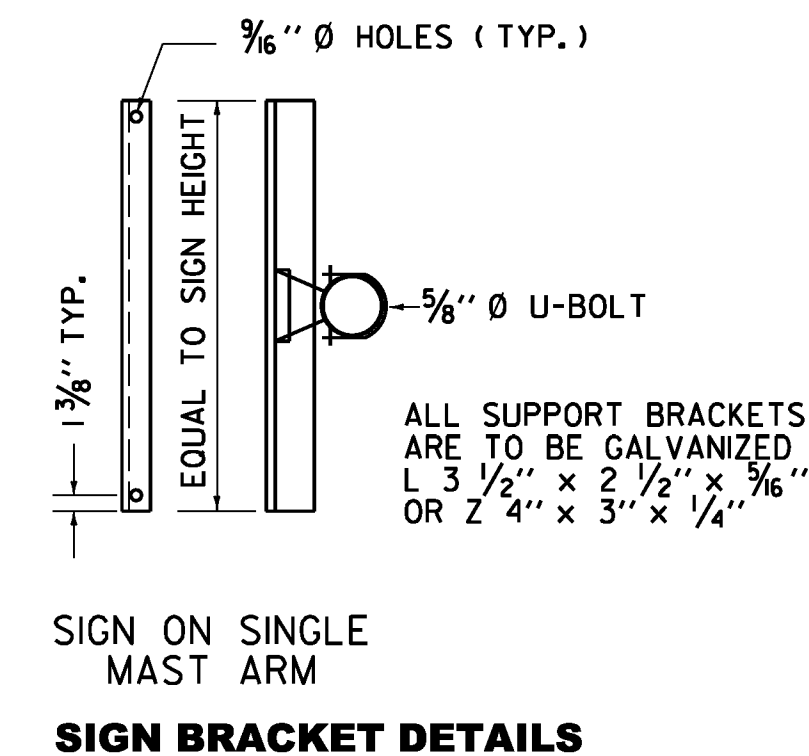


USED FOR CONDUIT LOCATION, SEE SECTION DETAIL AT LEFT

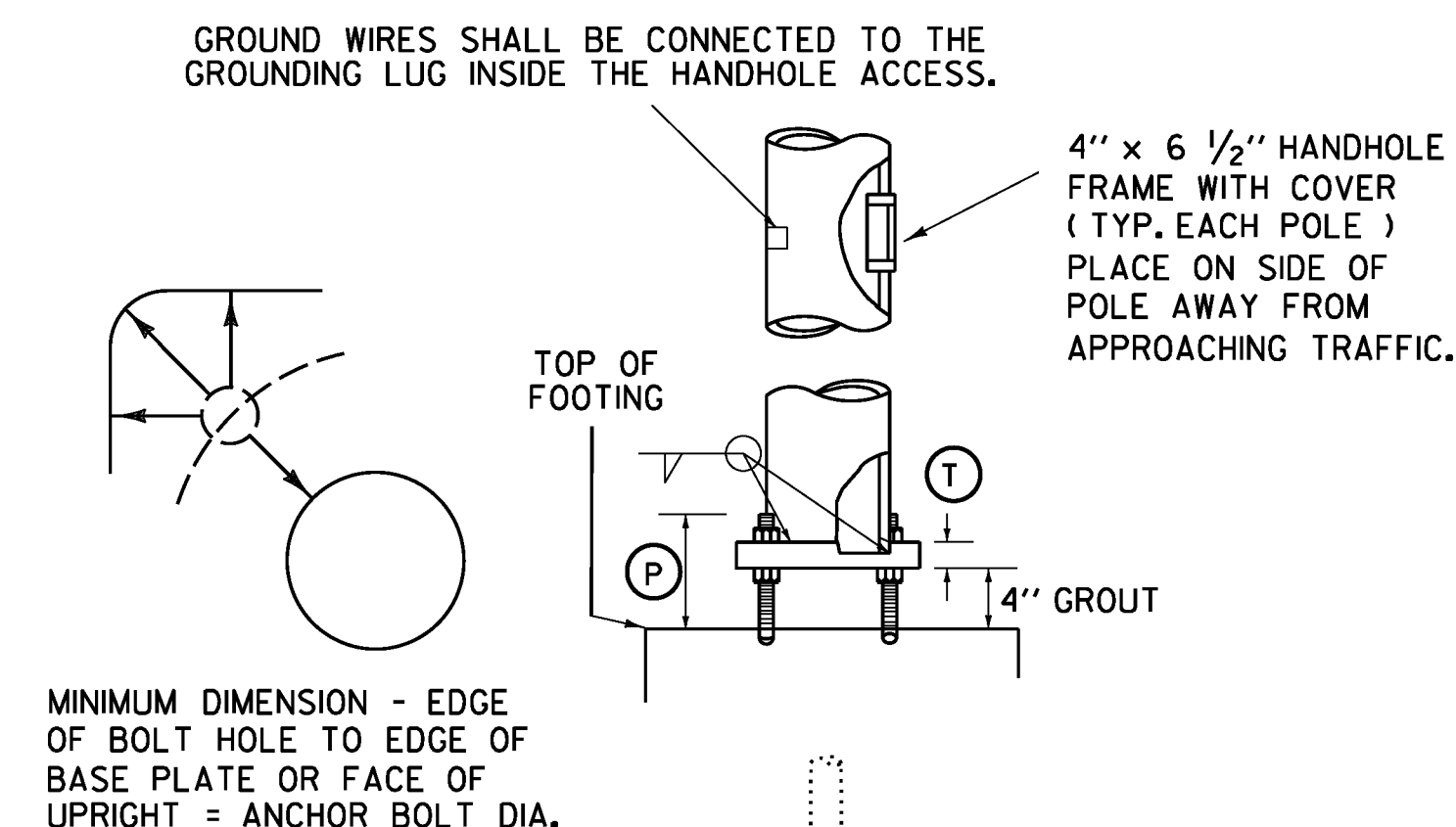
2\"/>

OVERHEAD TRAFFIC SIGN BRIDGE FOOTING DETAIL

(SPREAD FOOTINGS OR PILES ARE OPTIONAL)

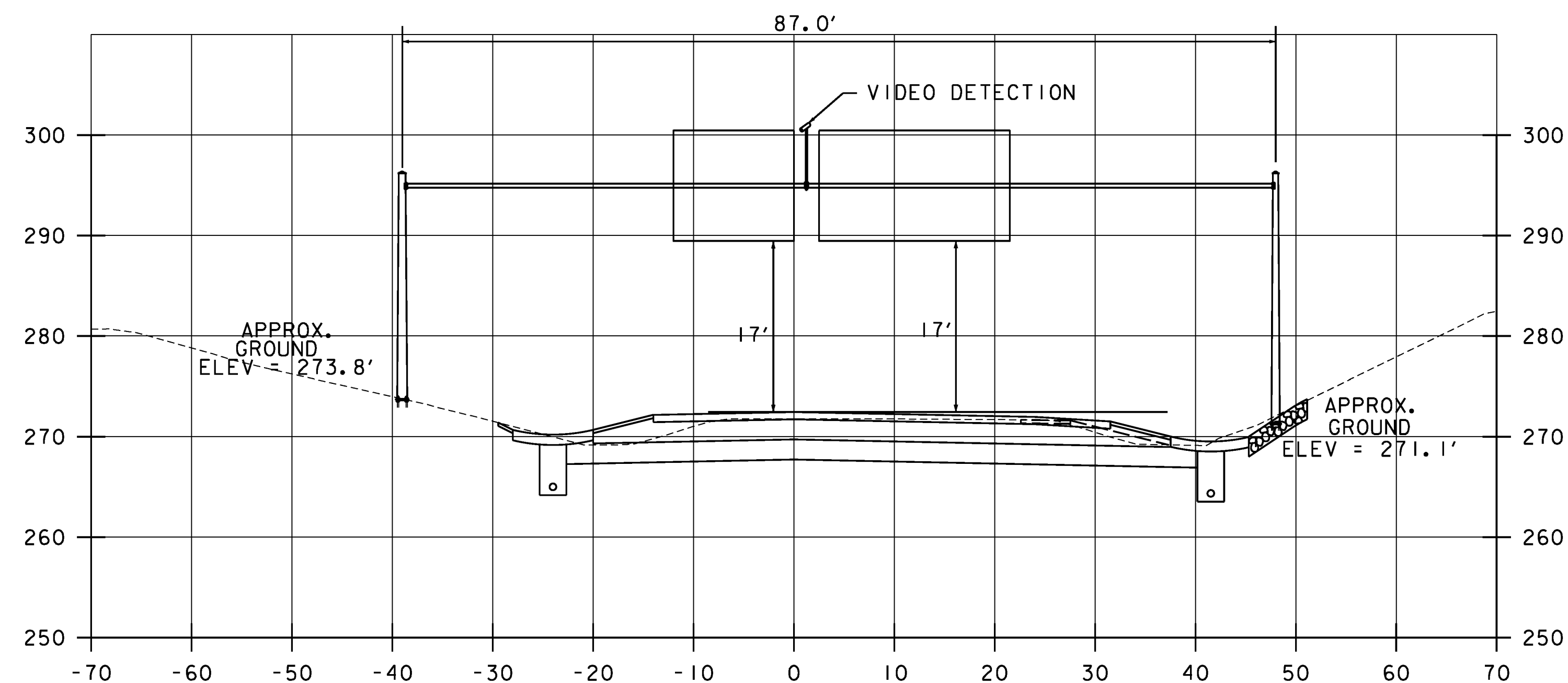


SIGN BRACKET DETAILS



NOTES:

1. SEE SHEET 52 FOR ADDITIONAL INFORMATION.
2. MINIMUM CLEARANCE FROM SIGNS TO ANY TRAVEL LANE SHALL BE 17'.
3. CONTRACTOR SHALL VERIFY ALL GROUND ELEVATIONS.
4. A MONOTUBE STRUCTURE SHALL BE PROVIDED.



OVERHEAD TRAFFIC SIGN SUPPORT STA. 57+53
CROSS-SECTION FOR ILLUSTRATION ONLY - SEE NOTES PROVIDED ON THIS SHEET

SCALE 1" = 10'

SEE SHEET 48 FOR LOCATION PLAN

PROJECT NAME: WINOOSKI
PROJECT NUMBER: NH 089-3(65)

FILE NAME: z94a198+rfbdr2.dgn
PROJECT LEADER: KEN UPMAL
DESIGNED BY: J.SOBEL
OVERHEAD SIGN DETAIL SHEET

PLOT DATE: 2/22/2010
DRAWN BY: J.WILTSHIRE
CHECKED BY: D.FLYNN
SHEET 55 OF 67