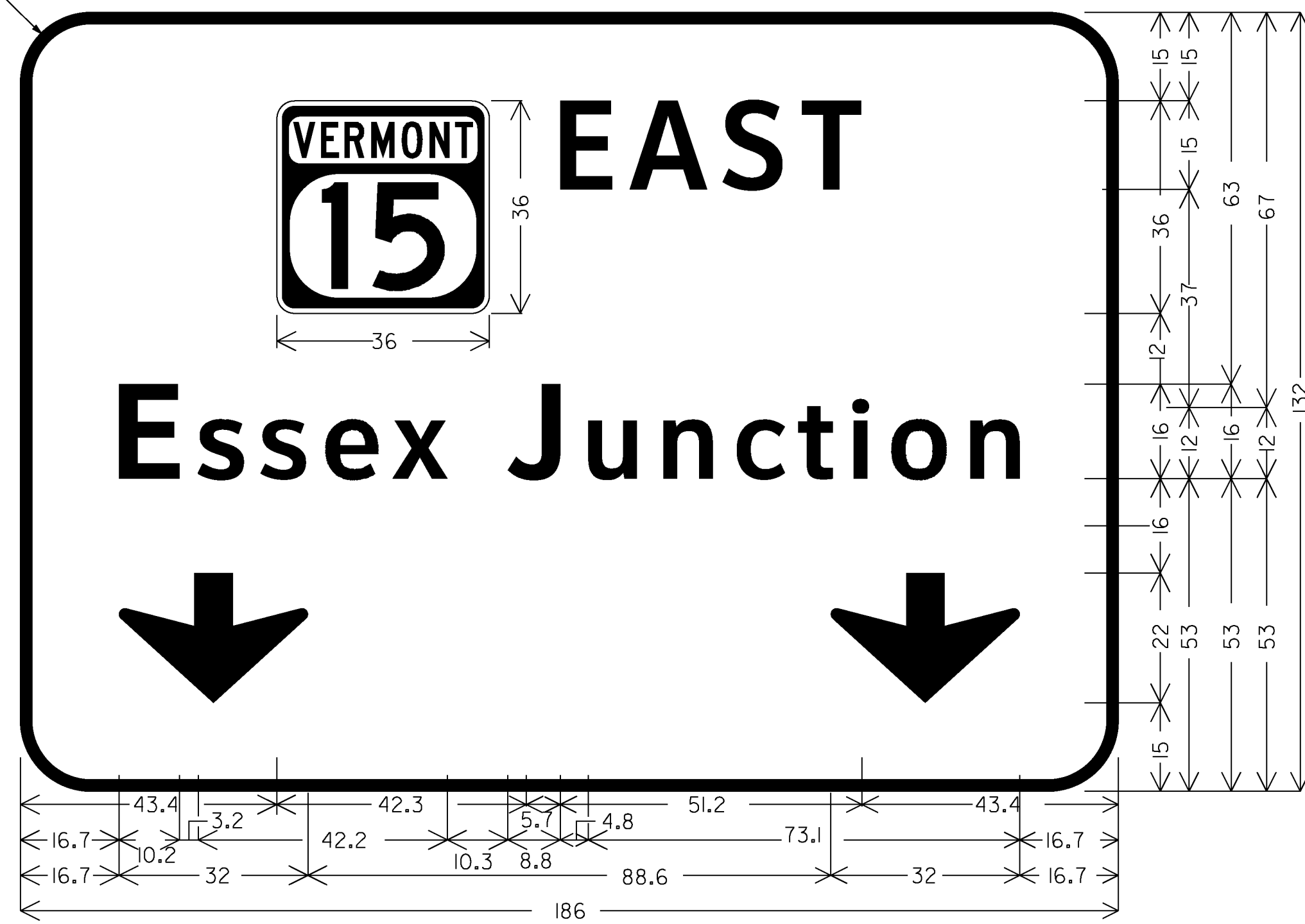
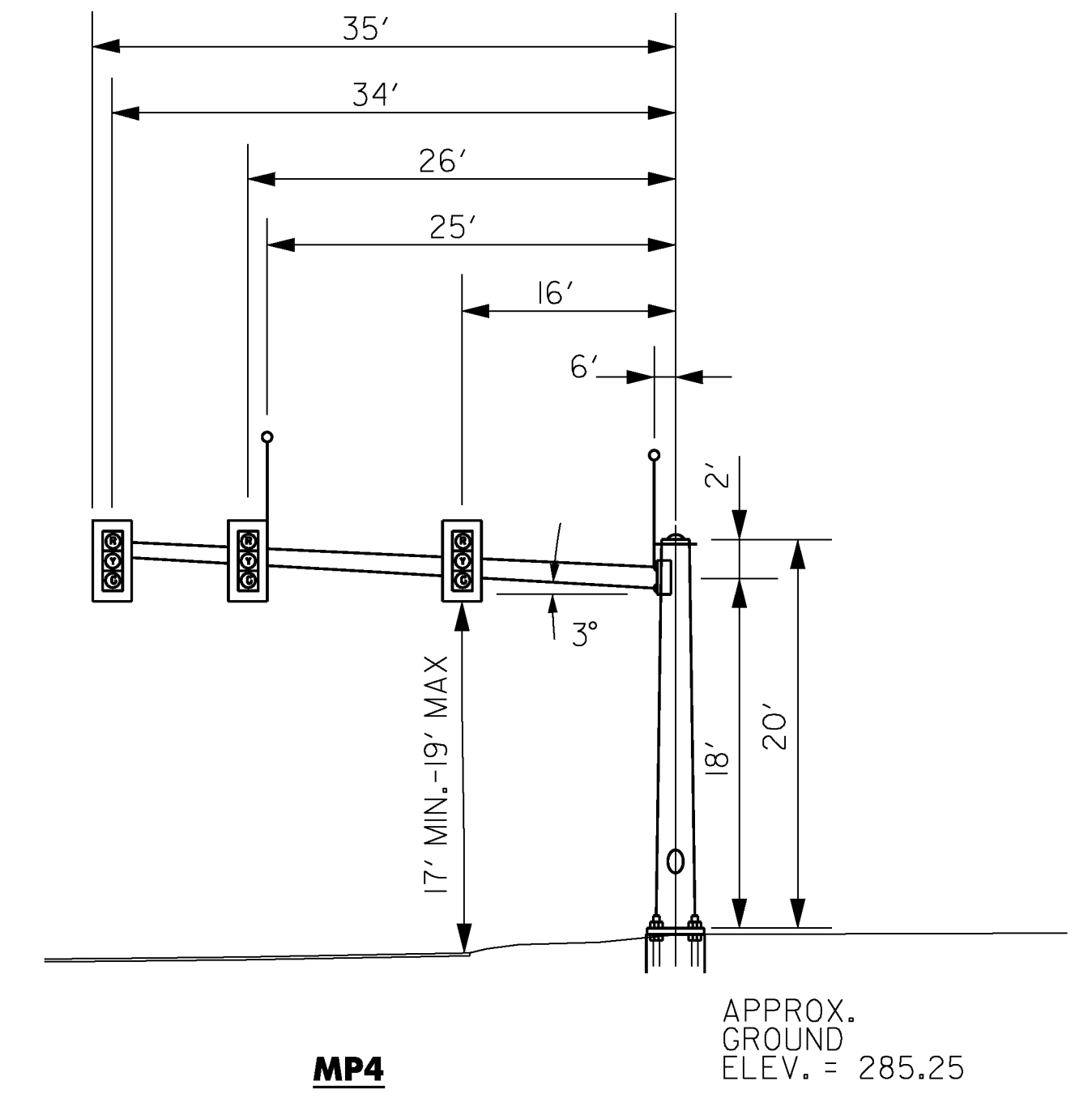
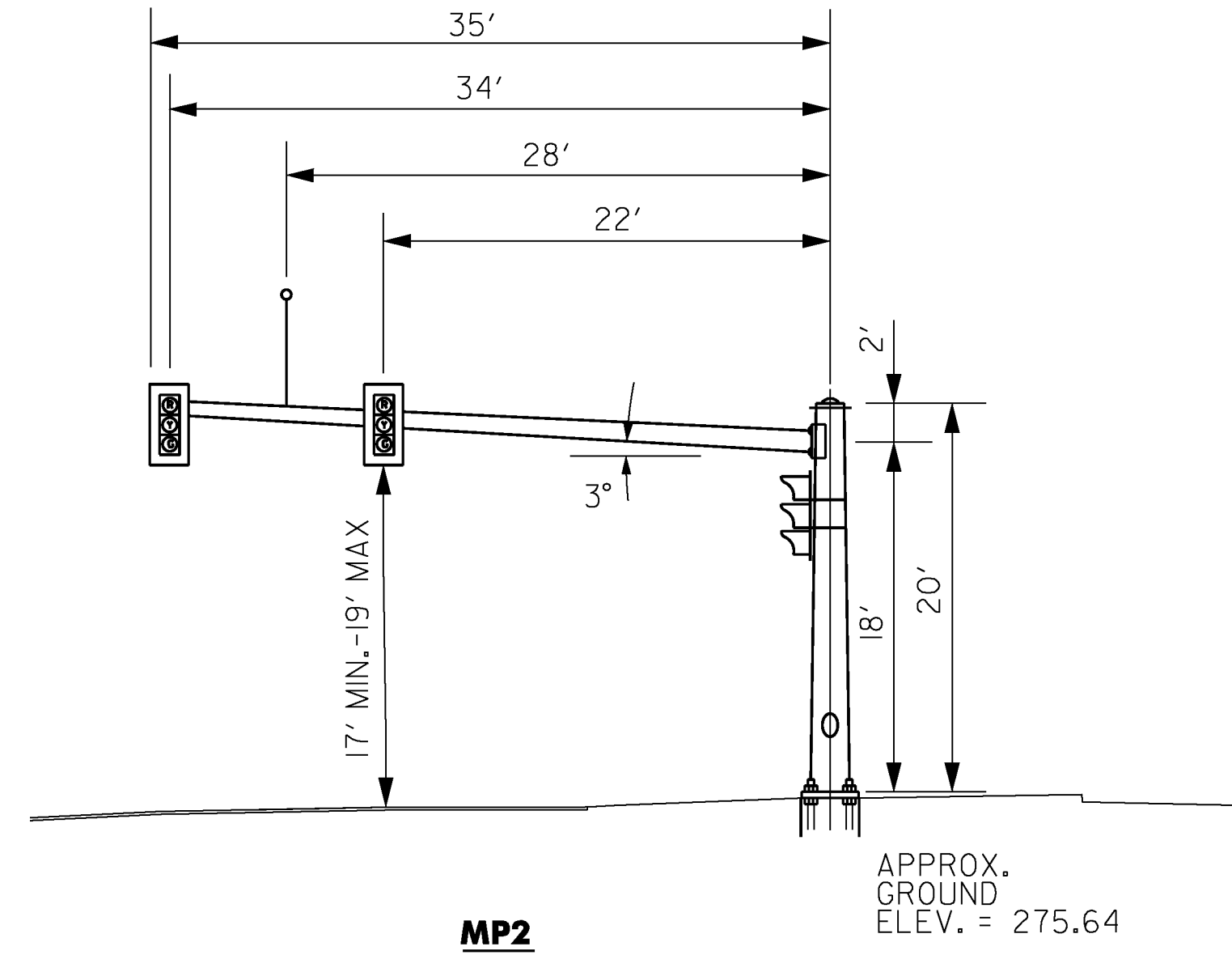


USE OVERHEAD
RETROREFLECTIVE
TYPE IX GREEN
SHEETING AND ASTM
TYPE IX BORDER AND
TEXT (TYP.)



12.0" Radius, 2.0" Border, White on Green;
VT RT MRK;
EAST Clearview-Hwy-4-W; *Essex Junction* Clearview-Hwy-5-W; Down Arrow 22.0" 270"; Down Arrow 22.0" 270";



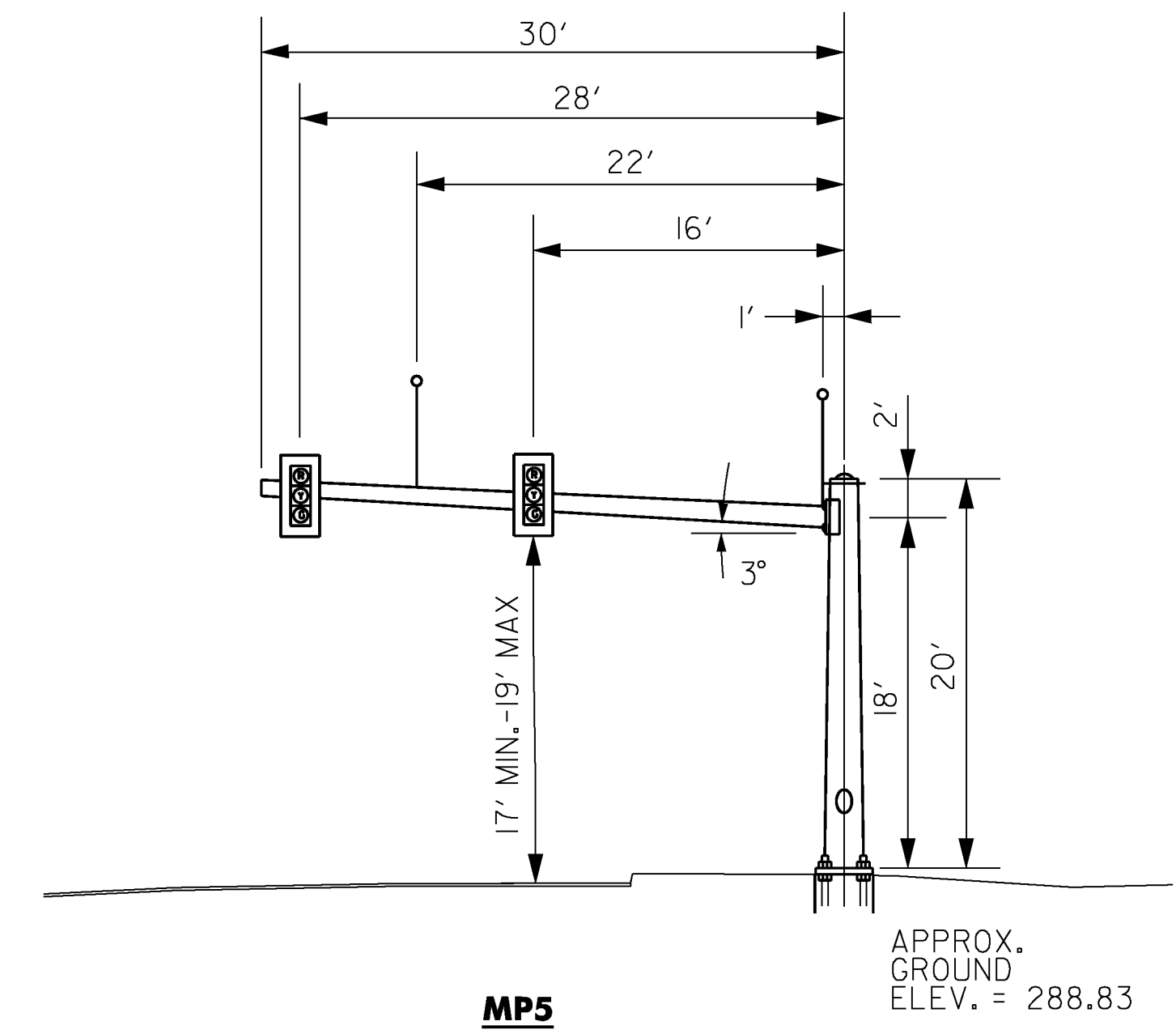
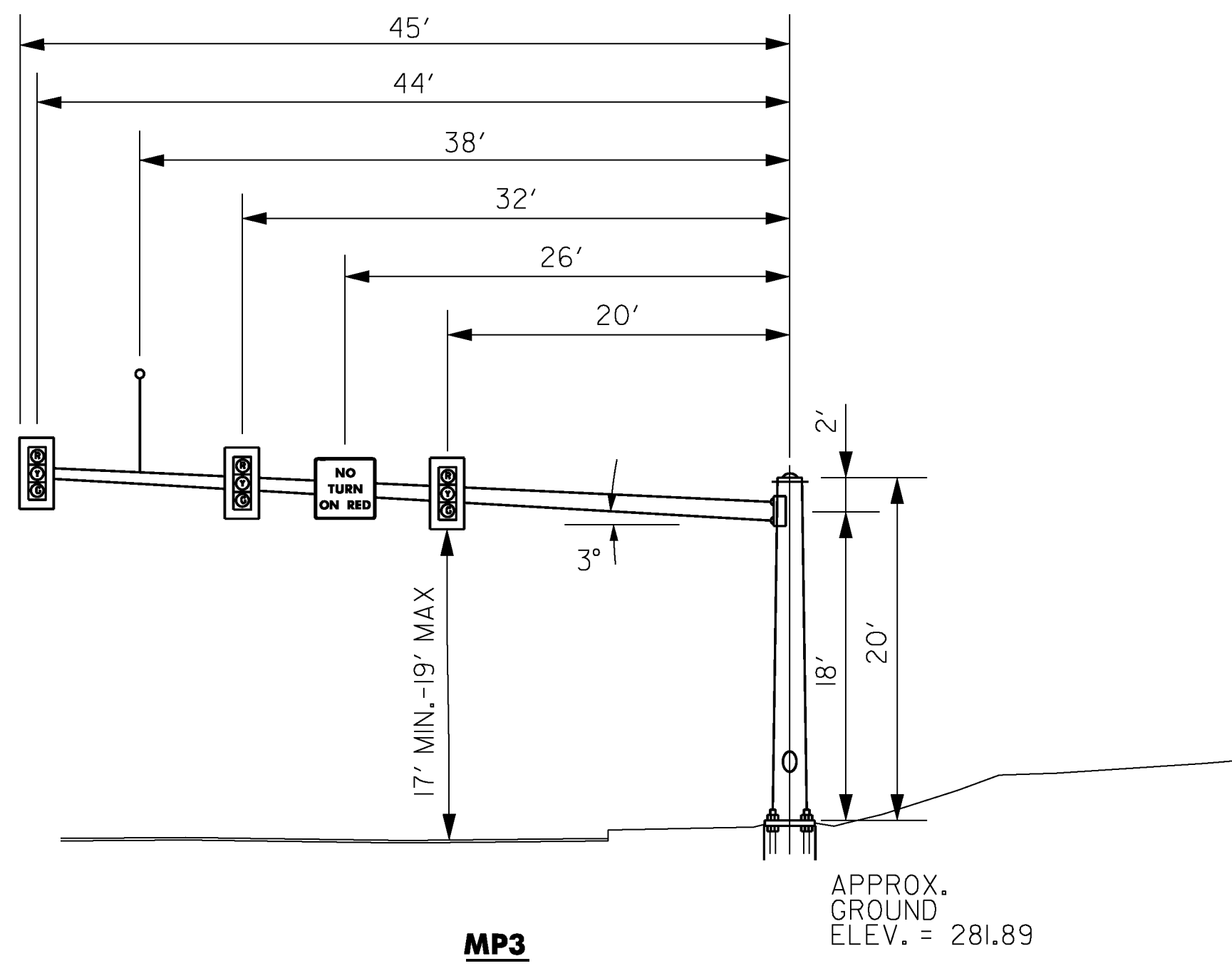
USE OVERHEAD
RETROREFLECTIVE
TYPE IX GREEN
SHEETING AND ASTM
TYPE IX BORDER AND
TEXT (TYP.)



12.0" Radius, 2.0" Border, White on Green;
VT RT MRK;
WEST Clearview-Hwy-4-W; *Winooski* Clearview-Hwy-5-W specified length; Down Arrow 22.0" 270";

SEE STATE STANDARD E-136B STATE ROUTE MARKER
SIGN DETAILS FOR ACTUAL ROUTE MARKER SIGN
DIMENSIONS

OVERHEAD TRAFFIC SIGN DETAIL



PROJECT NAME: WINOOSKI
PROJECT NUMBER: NH 089-3(65)

FILE NAME: z94a198+rfbdr2.dgn
PROJECT LEADER: KEN UPMAL
DESIGNED BY: J.SOBEL
TRAFFIC SIGNAL DETAILS SHEET 3

PLOT DATE: 2/22/2010
DRAWN BY: J.WILTSHIRE
CHECKED BY: D.FLYNN
SHEET 53 OF 67