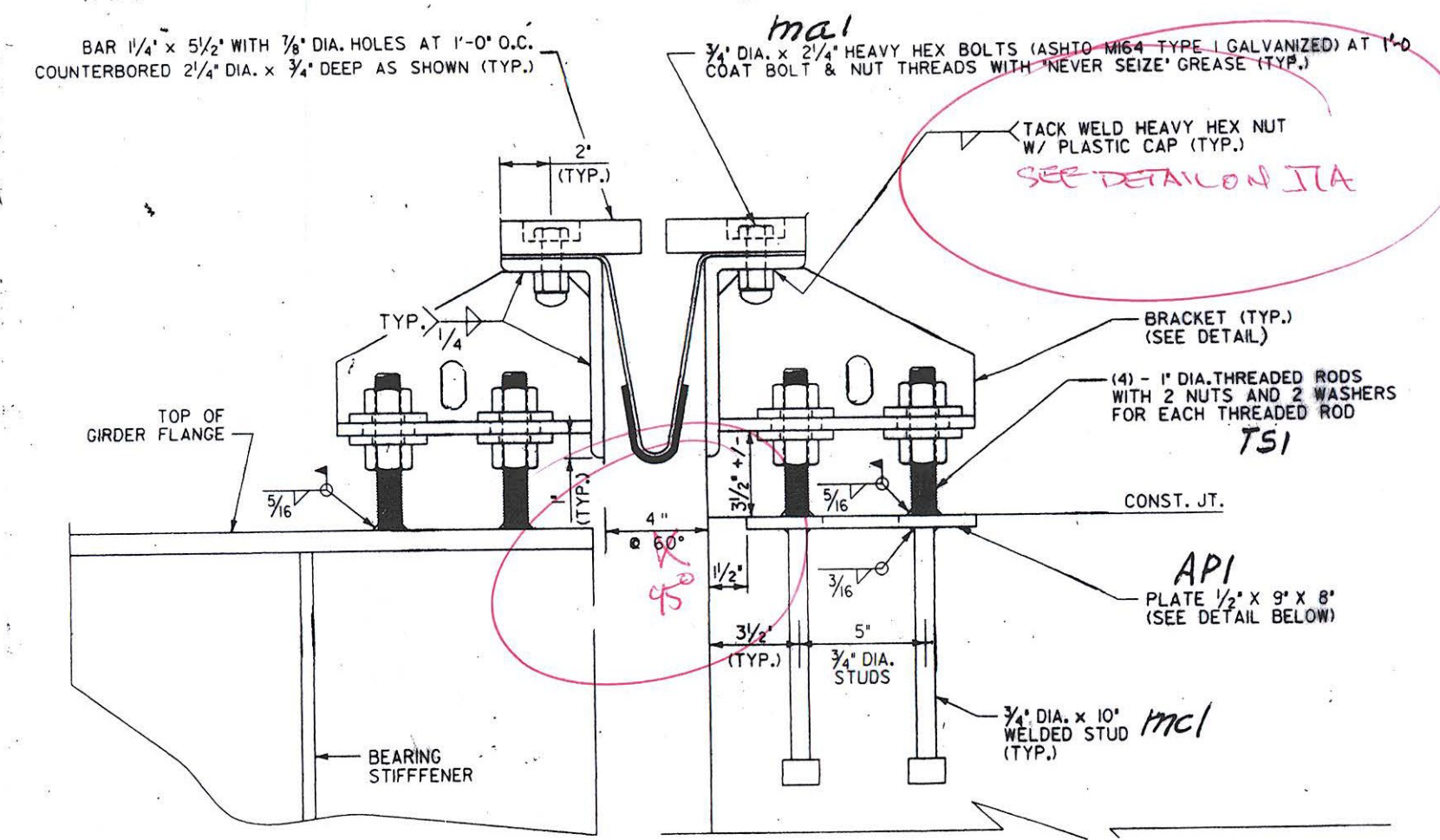
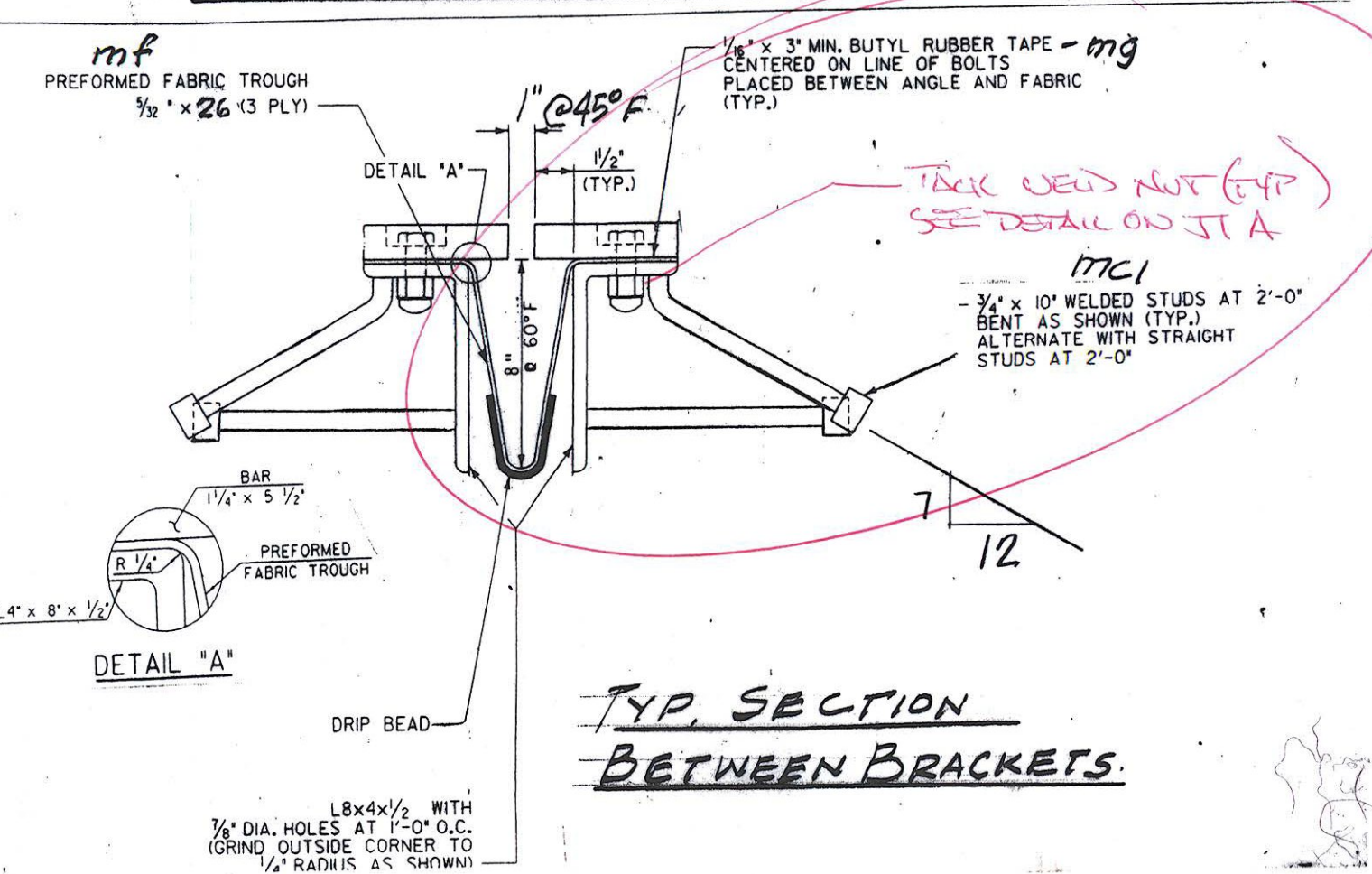


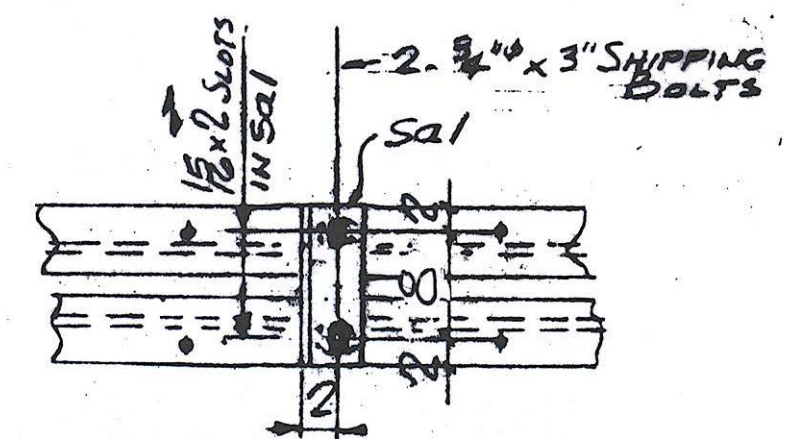
B-B
EJ1-ONE REOD (@ ABUT. #1)
 FOR CURB DETAILS & SHOP BILL SEE DWG. J1A



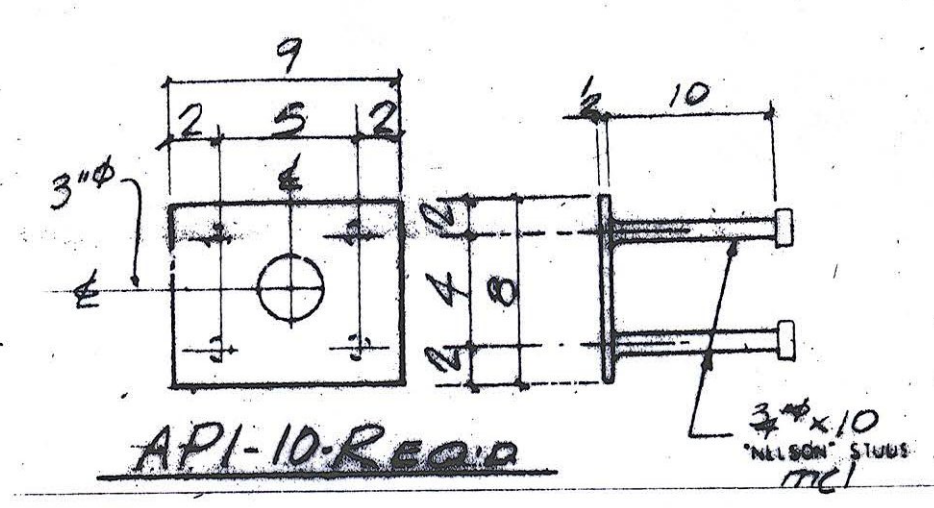
TYP. SECT. @ BRACKETS



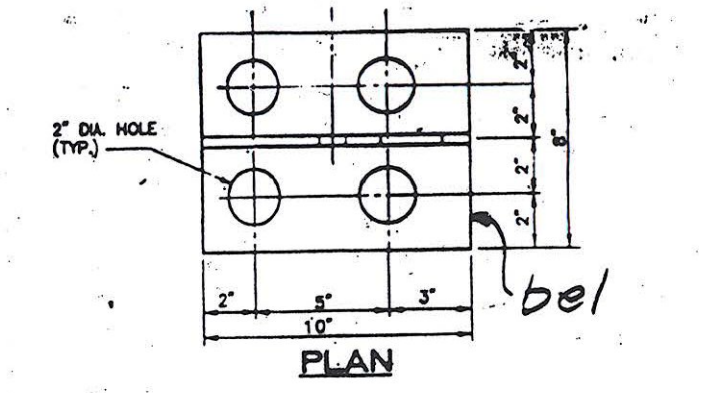
TYP. SECTION BETWEEN BRACKETS



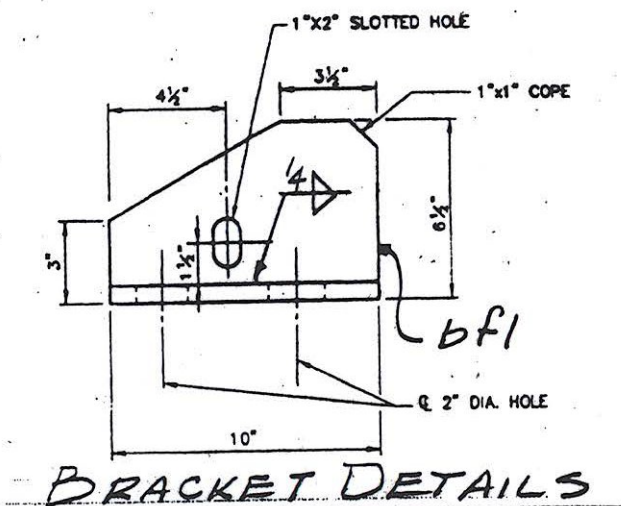
SHIPPING DEVICE
 SPACED 5" O.C. MAX.



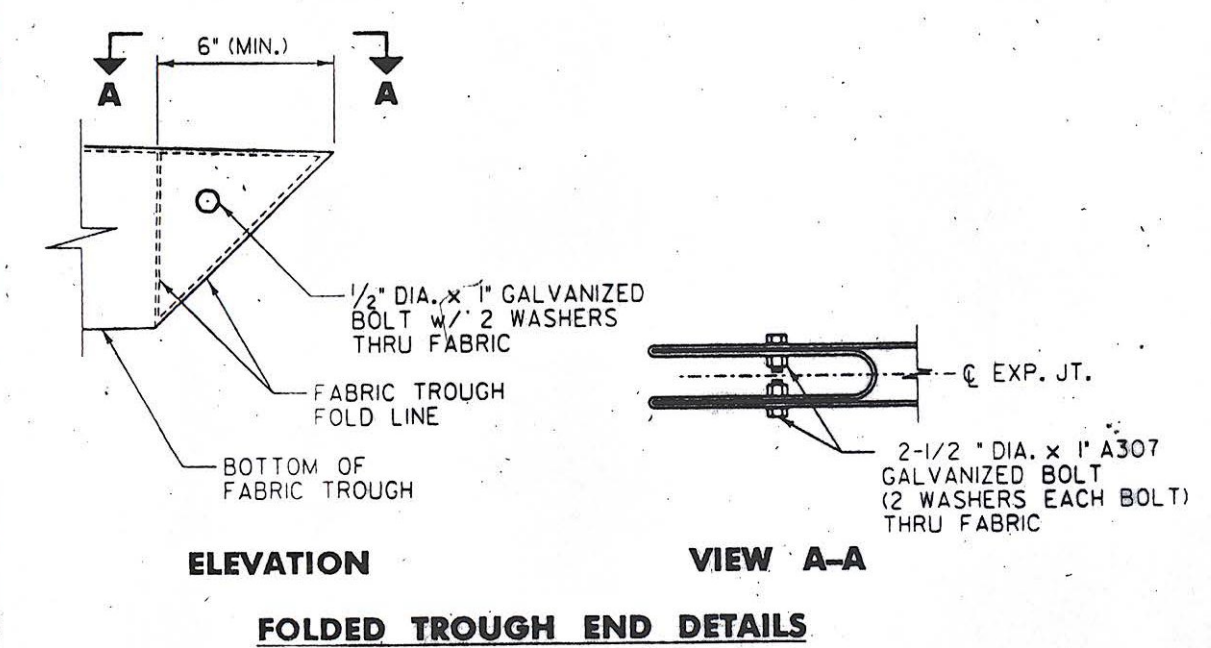
API-10-REOD



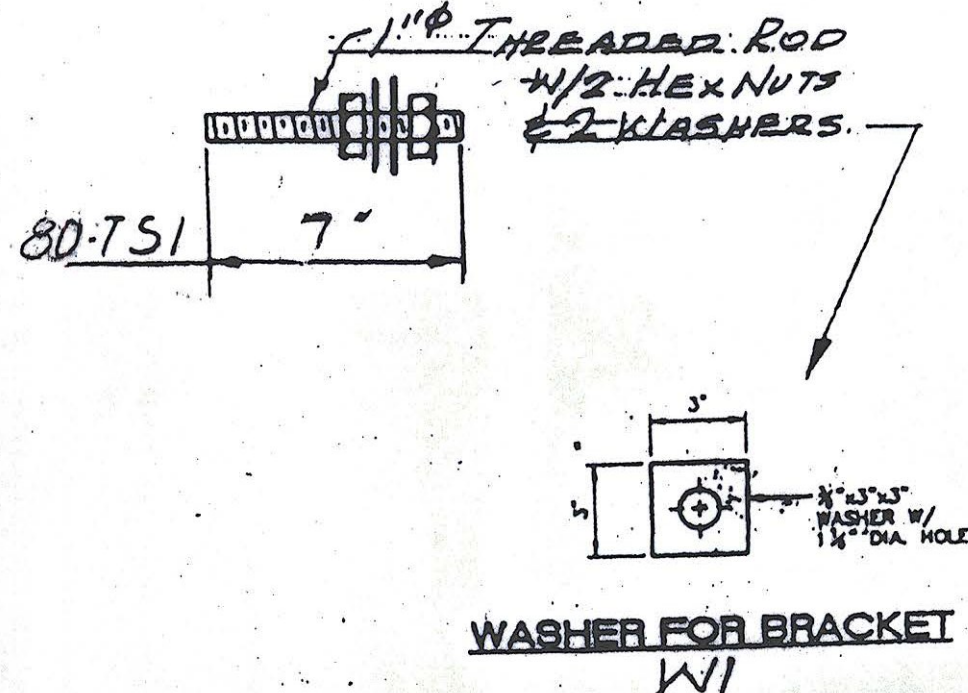
PLAN



BRACKET DETAILS



ELEVATION
VIEW A-A
FOLDED TROUGH END DETAILS



WASHER FOR BRACKET
 W1

REVISIONS	DATE	BY	REASON
1	4/22/10	JPF	FOR THE SINGLE PURPOSE OF ASCERTAINING GENERAL CONFORMITY WITH DESIGN CONTRACTOR IS RESPONSIBLE FOR DIMENSIONS, FABRICATION AND CONSTRUCTION METHODS COORDINATION OF SUB TRADES DETAIL DESIGN OF COMPONENTS AND ERRORS OR OMISSIONS ON SHOP DRAWINGS

OUT FOR APPROVAL	4/14/10								
OUT FOR APPROVAL									
ISSUED TO SHOP									
FIELD & OFFICE									

REV.	REMARKS	DATE	DWN	CHK	APP	Q.A.	NO.	DIA.	LGT	TYPE	WASHER
PROJECT NO.	IM 091-1(31)	STATE PROJECT NO.	BRIDGE No. 19A								
MATERIAL	AS SHIPD	ELECTRODES	Proc	HOLES	AS NOTED	SHOP BOLTS	3/8"				GALV.
SURFACE PREP. & PAINT: GALVANIZE PER SUBSHEET 506.15											

DESCRIPTION:	EXP. JOINT - ABUT. #1	DRAWN BY:	JPF	DATE:	3-10
JOB:	US ROUTE 5 OVER I 91	CHKD BY:	CR		
	PUTNEY, VERMONT	APPROV BY:			
		Q.A.			

CUSTOMER:	J. A. Mc DONALD	JOB NO.	438	DRG. NO.	J1
CASCO BAY STEEL STRUCTURES, INC.		75 SPRING HILL ROAD	SACO, MAINE 04072	PHONE (207) 282-7360	FAX. (207) 282-1179
		REV.			