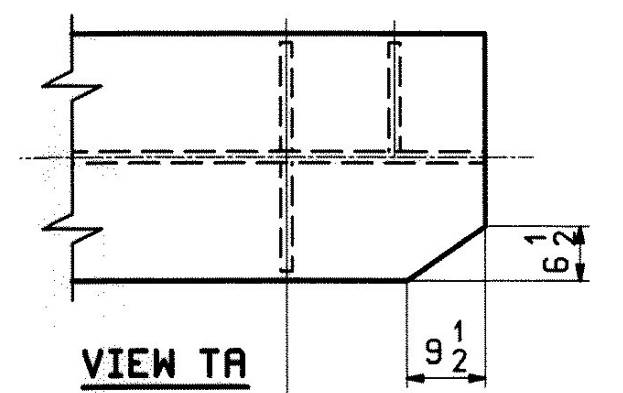
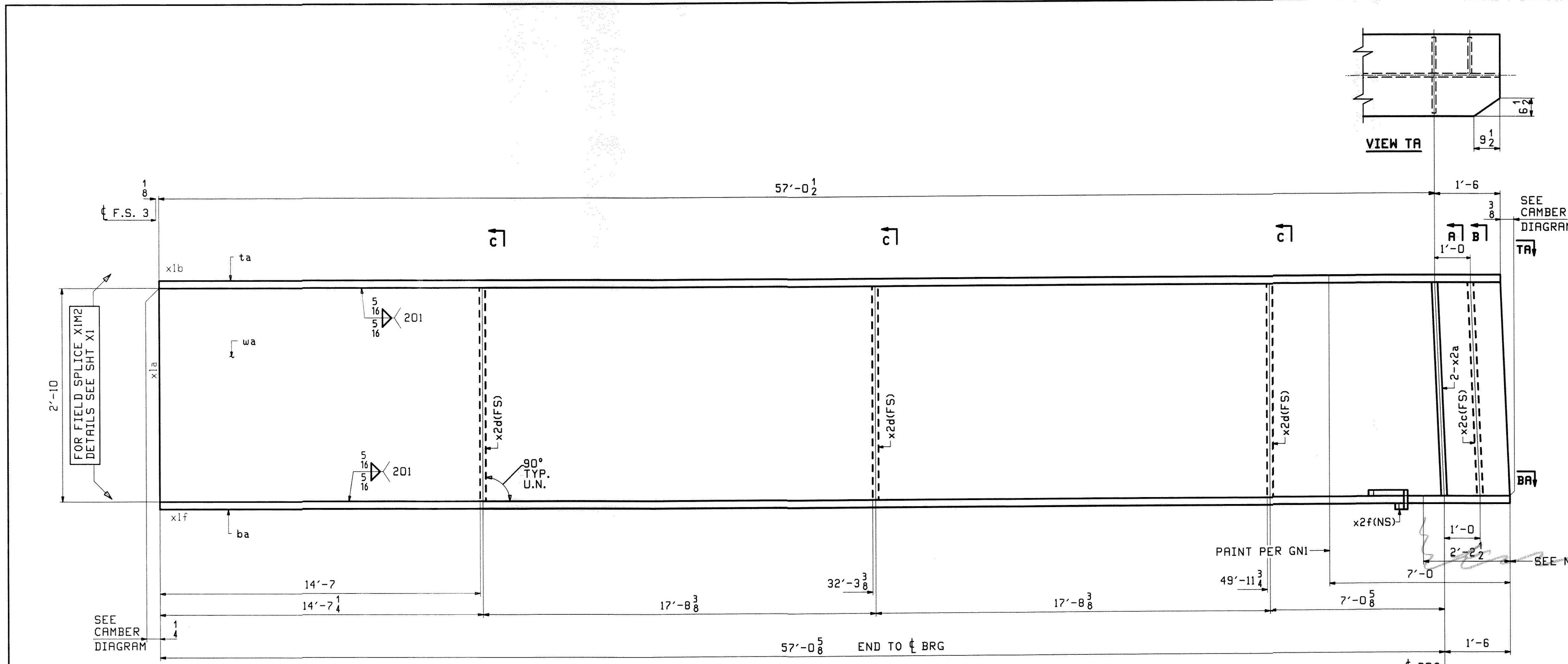
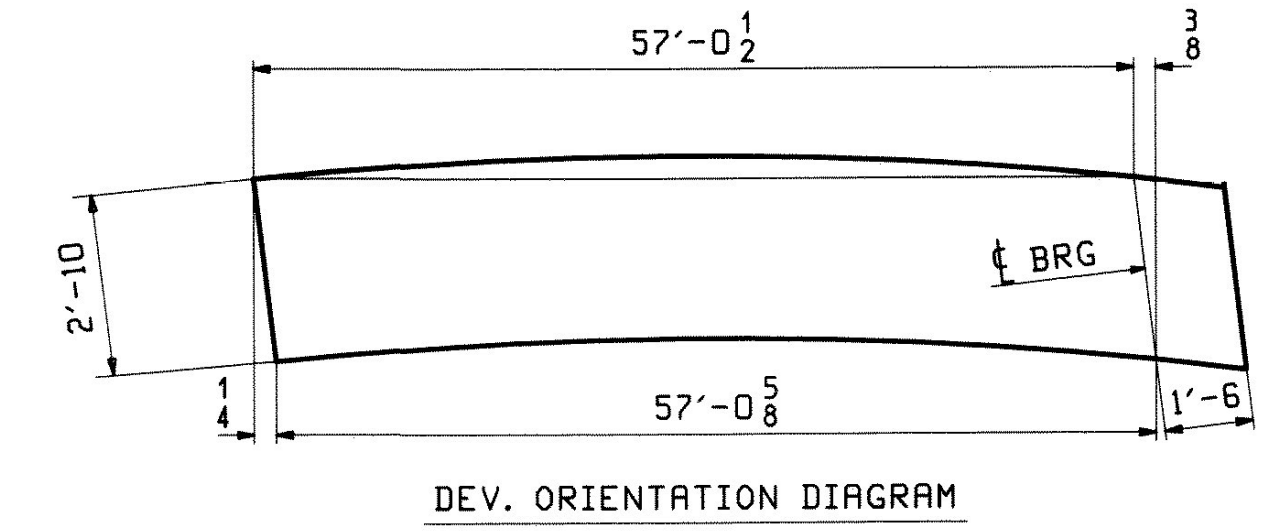
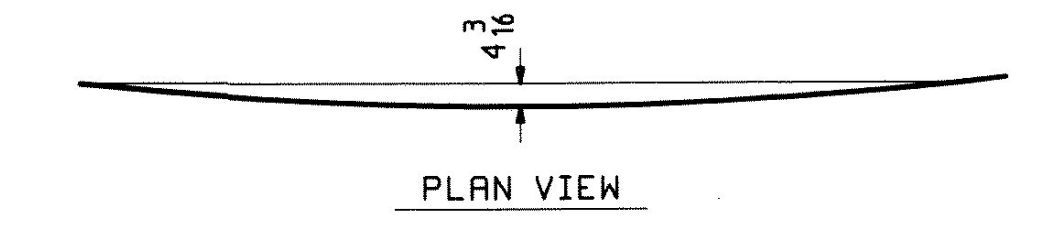


JOB NO.		DRAWING NO.		REV.
438		20		
ABM INFO	SHIP	BILL OF MATERIAL		
PAGE	LINE	MARK	QTY	REMARKS
		20G5D	1	GIRDER
4	S	1	wa	PL 1/2 x 34
2	W	1	ta	PL 1/2 x 16
1	J	1	ba	PL 1/2 x 16
6	K	2	x2a	PL 7/8 x 7 3/4
6	L	1	x2c	PL 1/2 x 7 1/2
6	L	3	x2d	PL 1/2 x 7 1/2
6	N	1	x2f	PL 1/4 x 3 1/2



SEE CAMBER DIAGRAM TA

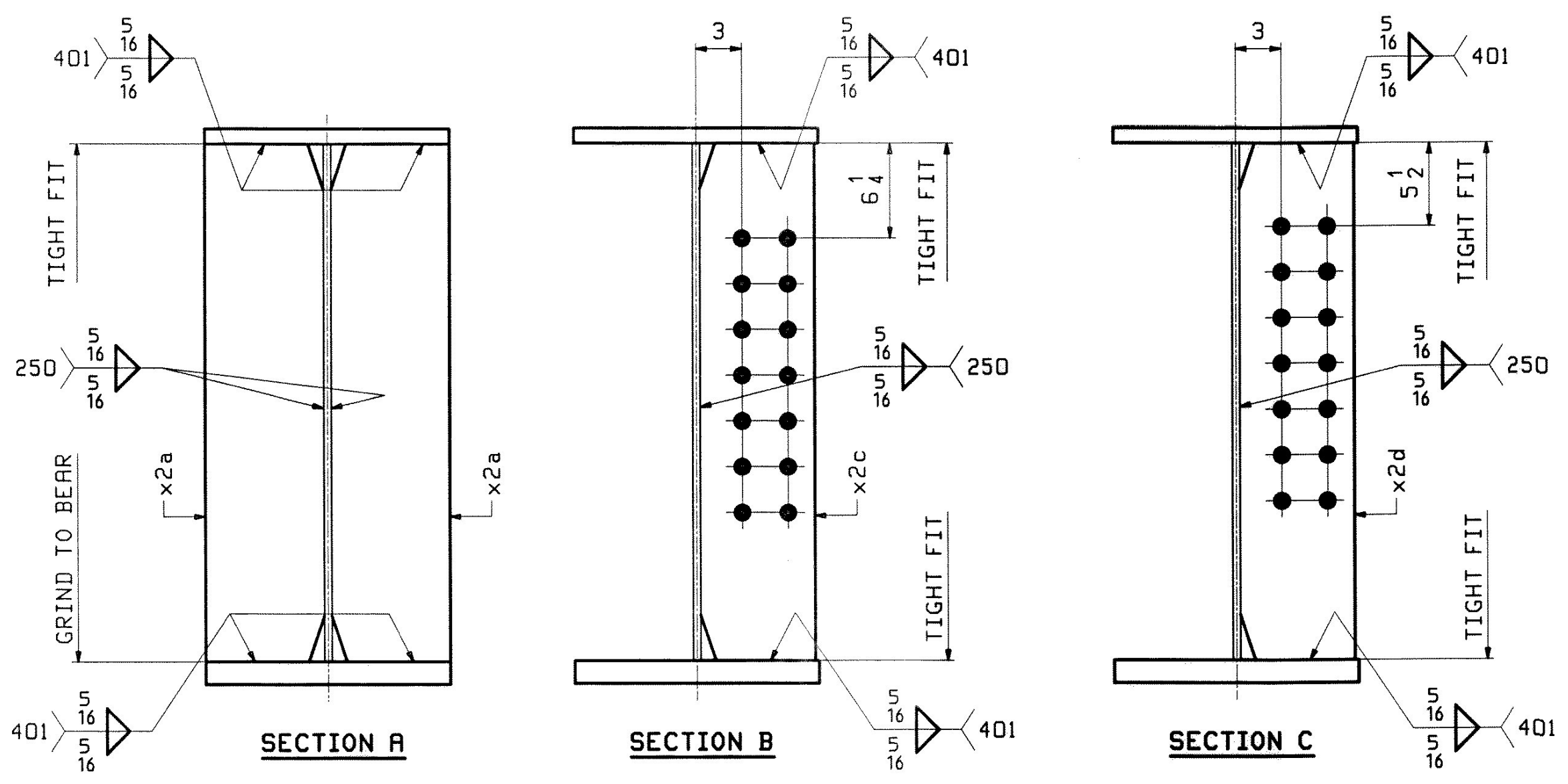
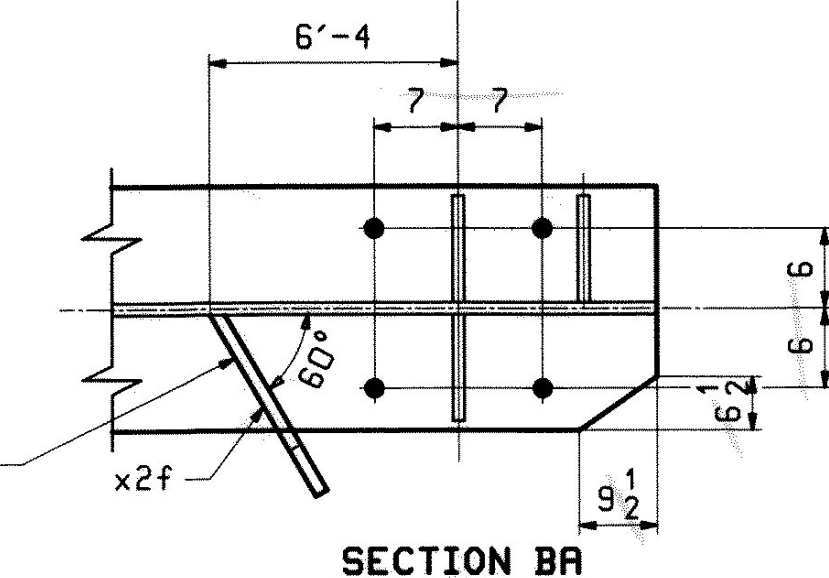
NOTE A:
NO PAINT BOTTOM AND EDGES OF BOTTOM FLANGE.



ONE - GIRDER - 20G5D (DEV)

FOR FIELD SPLICE & STANDARD DETAILS SEE X SHEETS
FOR CAMBER DIAGRAM SEE SHEET C2
FOR FLANGE DIAGRAM SEE SHEET F1
FOR GENERAL NOTES SEE SHEET G1

TIGHT FIT TO FLG WITH SEAL WELD (TYP 401)



DATE: 2/7/10
SIGNATURE: [Signature]
TENSOR 2945

REV.	DATE	REMARKS	DWN	CHK	APVL	SHOP
0						
MATERIAL:		SURFACE PREP. & PAINT:		HOLES:		SHOP BOLTS:
M270-50W (UN)		SEE GNI		15/16" Ø U.N.		NONE
DESCRIPTION: GIRDER - 20G5D						
CASCO BAY STEEL STRUCTURES, INC. 75 SPRING HILL ROAD SACO, MAINE 04072 PHONE (207) 282-7360 FAX. (207) 282-1179						
STRUCTURE: U.S. 5 over I-91 Bridge No. 19A Putney County of Windham			DRAWN: WJF CHKD: DO		DATE: 01/12 DATE: 01/15	
LOCATION: Putney			JOB NO. 438		DWG NO. 20	
PROJ NO. IM 091-(31)			CUSTOMER: VT AOT		REV. [Symbol]	

10 1/4 2/10 2010 10:00 AM 1/4/10/2010 Rev.0