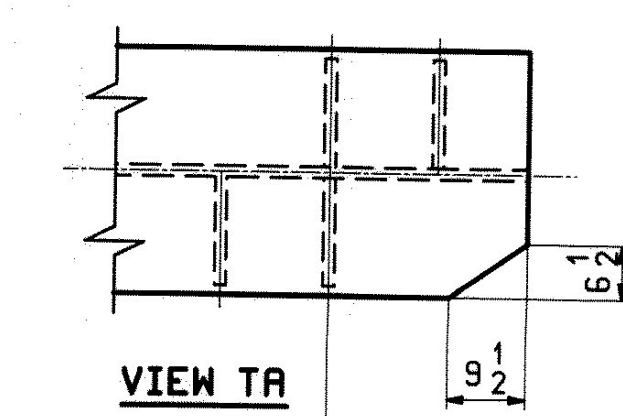
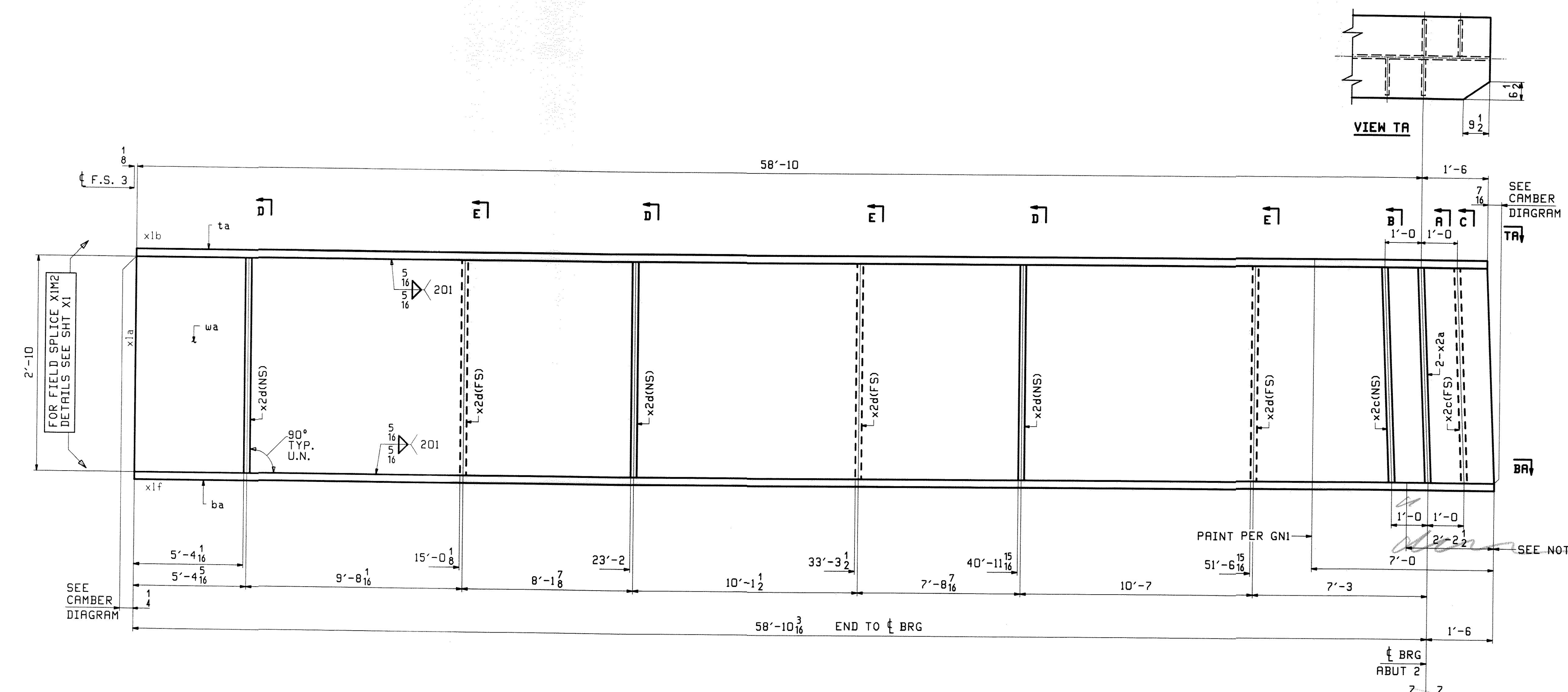


ABM INFO		BILL OF MATERIAL				JOB NO.		DRAWING NO.		REV.
PAGE	LINE	MARK	QTY	MARK	MATERIAL	LENGTH	REMARKS	HT	PROCUREMENT	NOTES
						FT INCHES				
		18G3D	1		GIRDER				12126	
4	N		1	wa	PL 1/2 x 3/4	60 4 7/16	M270-50WT2			
2	S		1	ta	PL 1/2 x 1/2	60 4	M270-50WT2			
1	E		1	ba	PL 1/2 x 1/2	60 4 3/16	M270-50WT2			
5	K		2	x2a	PL 7/8 x 7/8	2 10	MIE			
6	L		2	x2c	PL 1/2 x 7/8	2 10				
6	L		6	x2d	PL 1/2 x 7/8	2 10				

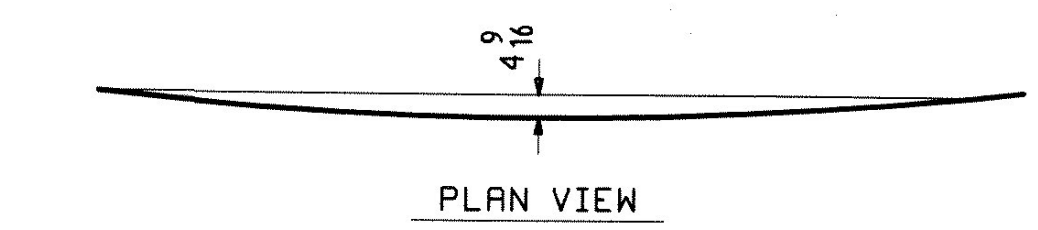


SEE CAMBER DIAGRAM
TA

NOTE A:
NO PAINT BOTTOM AND EDGES OF BOTTOM FLANGE.

PRINT PER GNI
51'-6 15/16

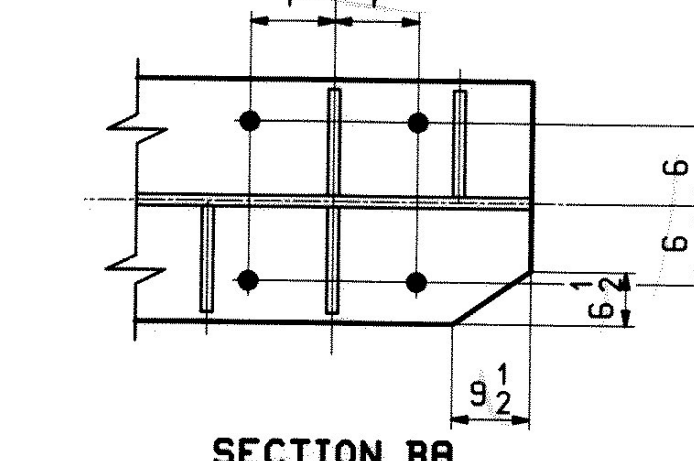
SEE NOTE A



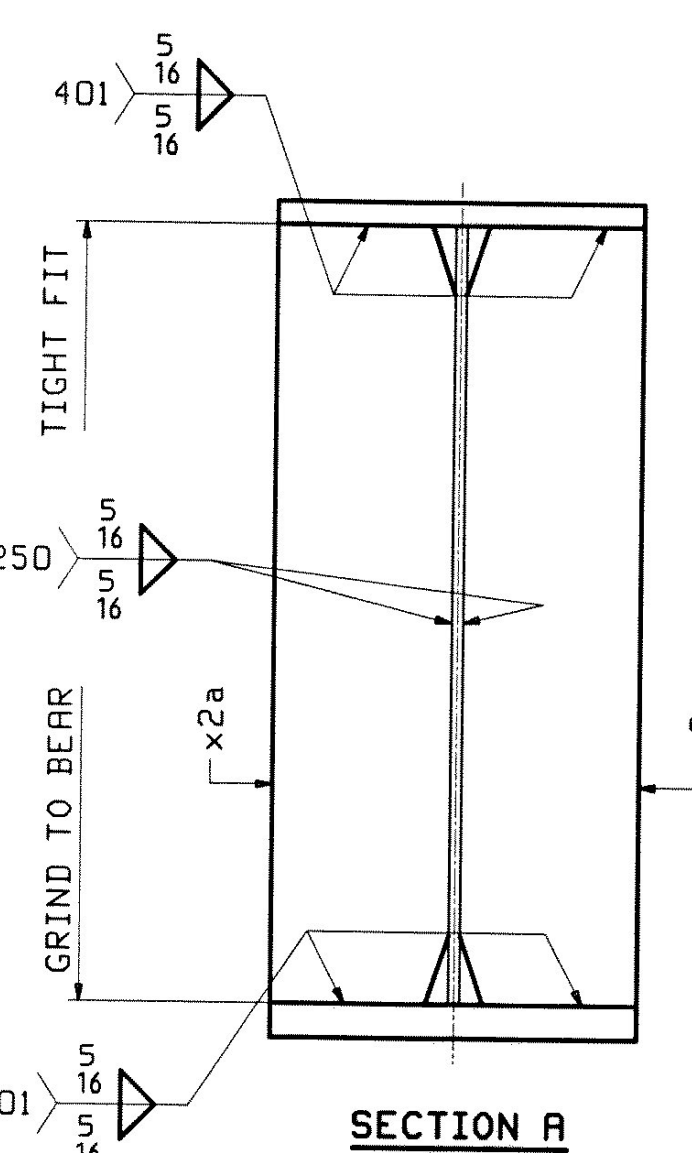
DEV. ORIENTATION DIAGRAM

ONE - GIRDER - 18G3D (DEV)

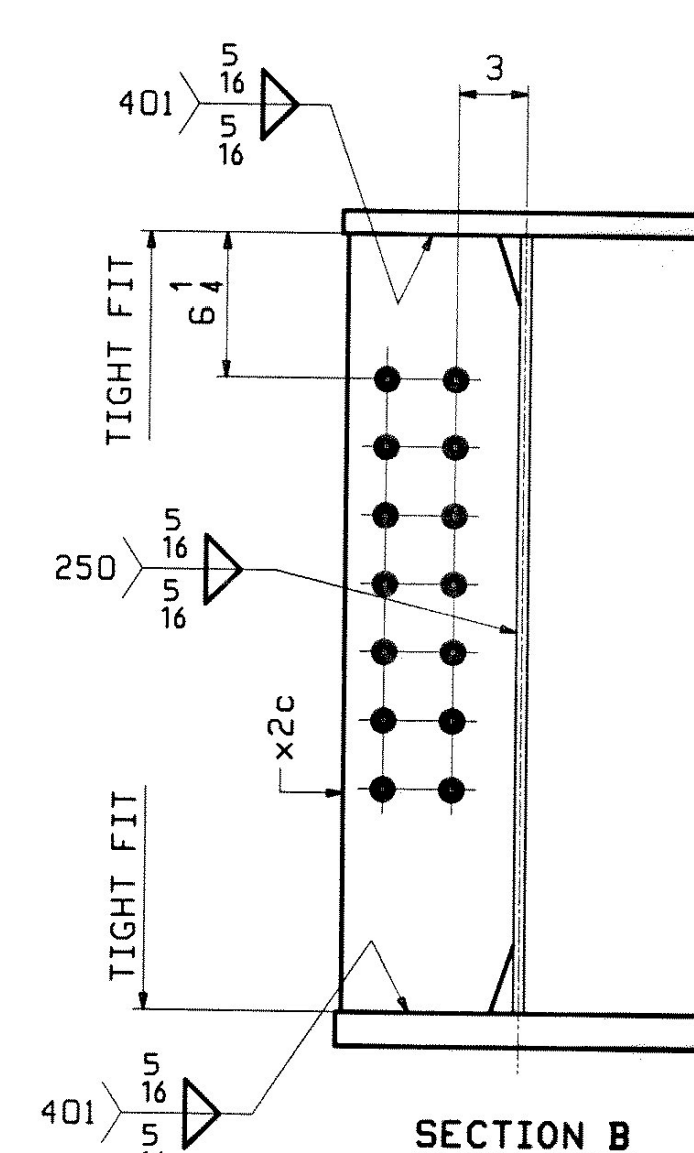
FOR FIELD SPLICE & STANDARD DETAILS SEE X SHEETS
FOR CAMBER DIAGRAM SEE SHEET C2
FOR FLANGE DIAGRAM SEE SHEET F1
FOR GENERAL NOTES SEE SHEET GNI



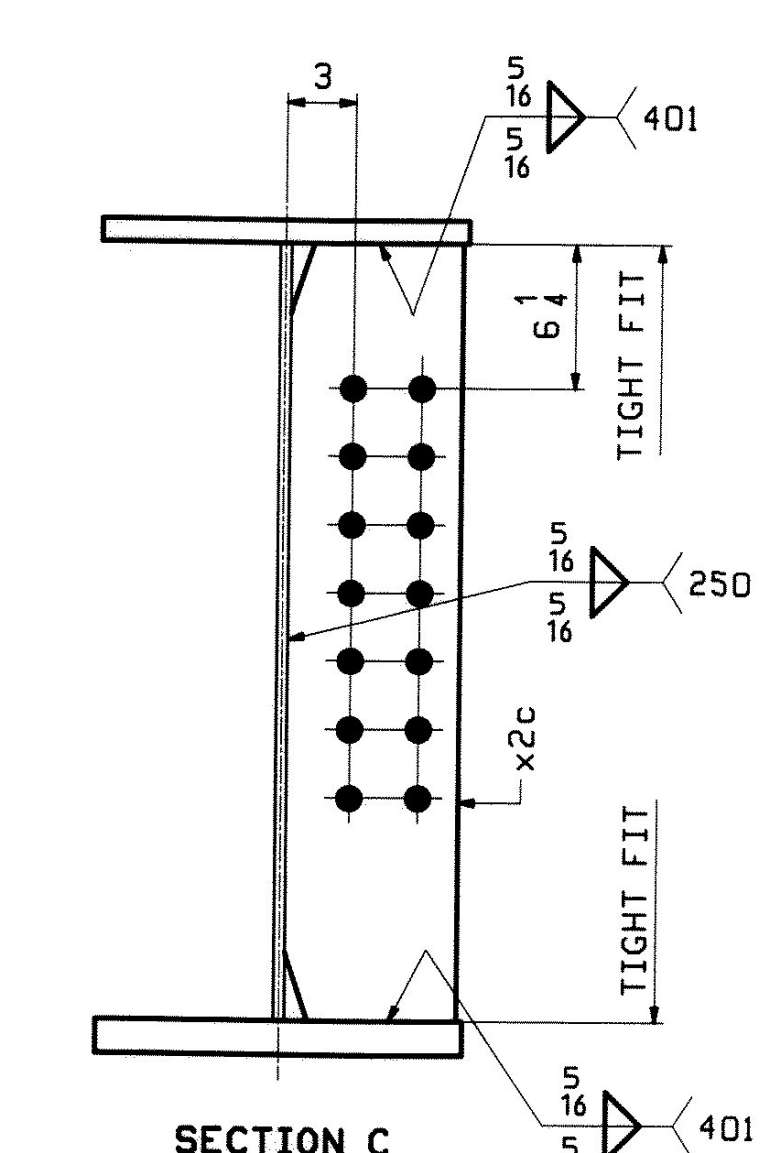
SECTION BA



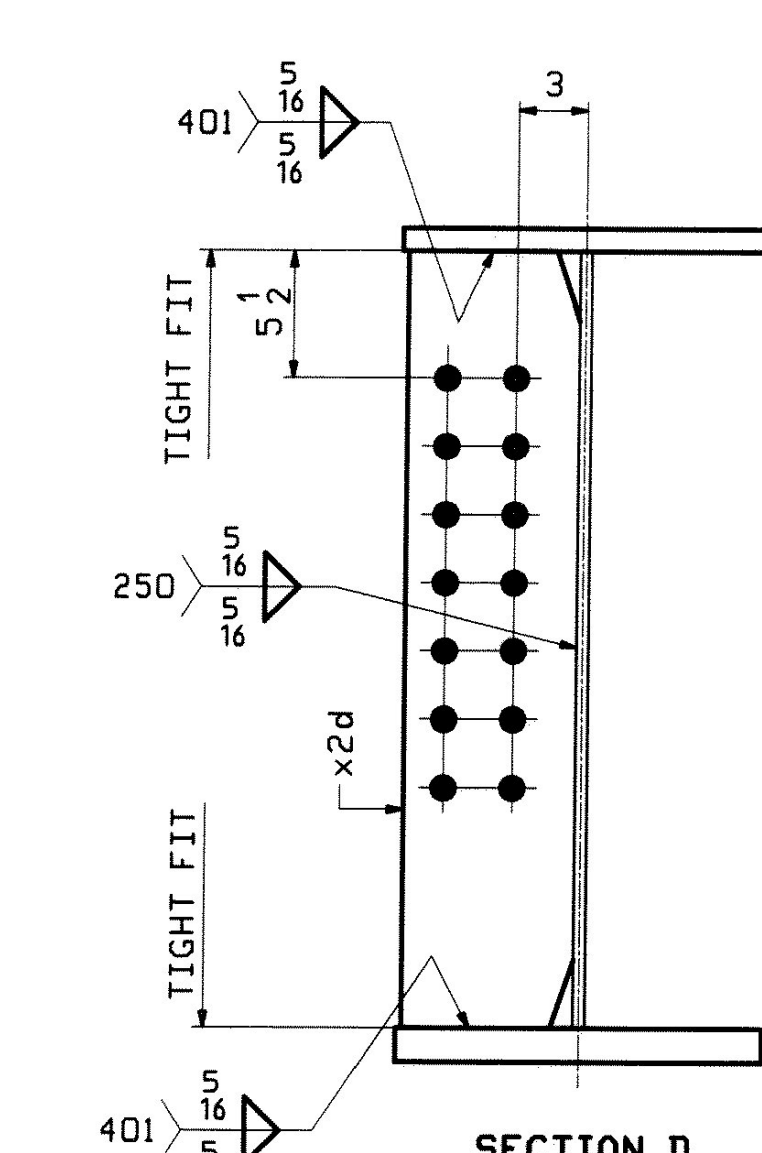
SECTION A



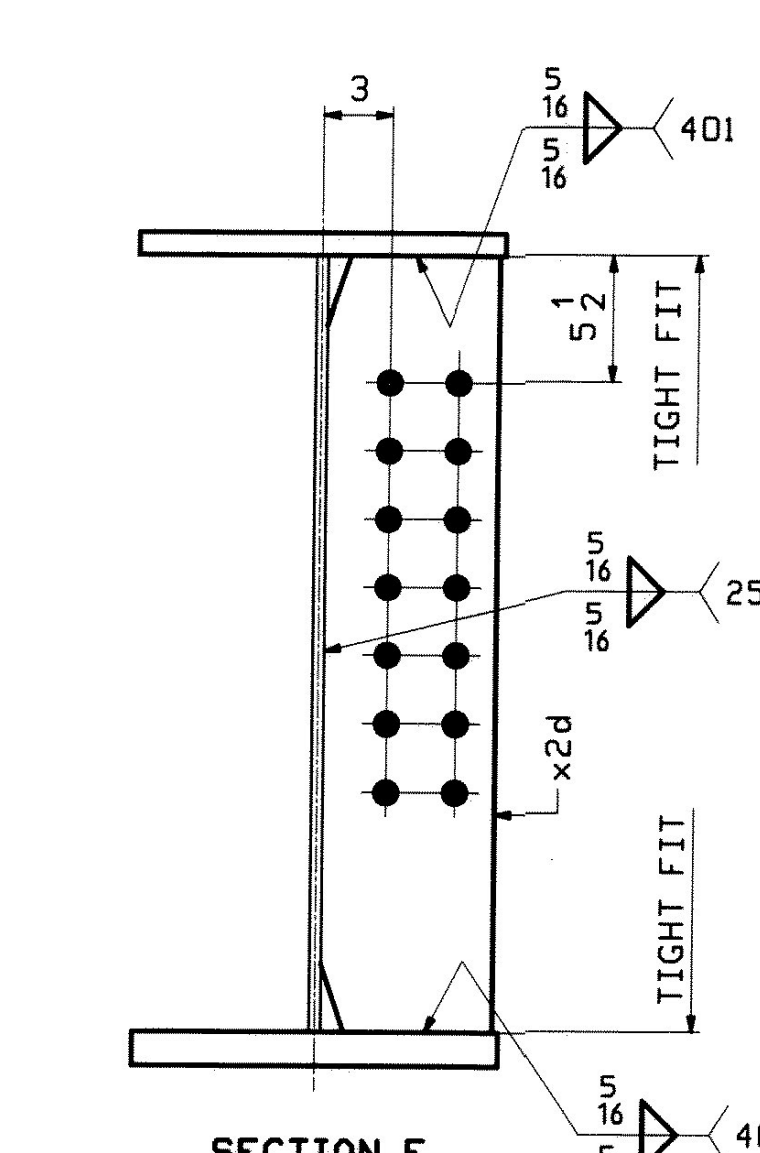
SECTION B



SECTION C



SECTION D



SECTION E

TEMPERATURES ARE REVIEWED UNLESS OTHERWISE SPECIFIED.
X
2/1/10

REV.	DATE	REMARKS	DWN	CHK	APVL	SHOP
0						
MATERIAL:		SURFACE PREP. & PAINT:		HOLES:		SHOP BOLTS:
M270-50W (UN)		SEE GNI		15/16" Ø U.N.		NONE
DESCRIPTION: GIRDER - 18G3D						
CASCO BAY STEEL STRUCTURES, INC. 75 SPRING HILL ROAD SARCO, MAINE 04072 PHONE (207) 282-7360 FAX. (207) 282-1179						
STRUCTURE: U.S. 5 over I-91 Bridge No. 19A Putney County of Windham			DRAWN: WJF		DATE: 01/12	
LOCATION: Putney			CHKD: DO		DATE: 01/14	
PROJ NO. IM 091-1(31)			JOB NO. 438		DWG NO. 18	
CUSTOMER: VT ROT					REV. △	

PLOT: Jan 27, 2010 10:55:18 AM -\\casco\cbs\proj\18G3D\18G3D.dwg