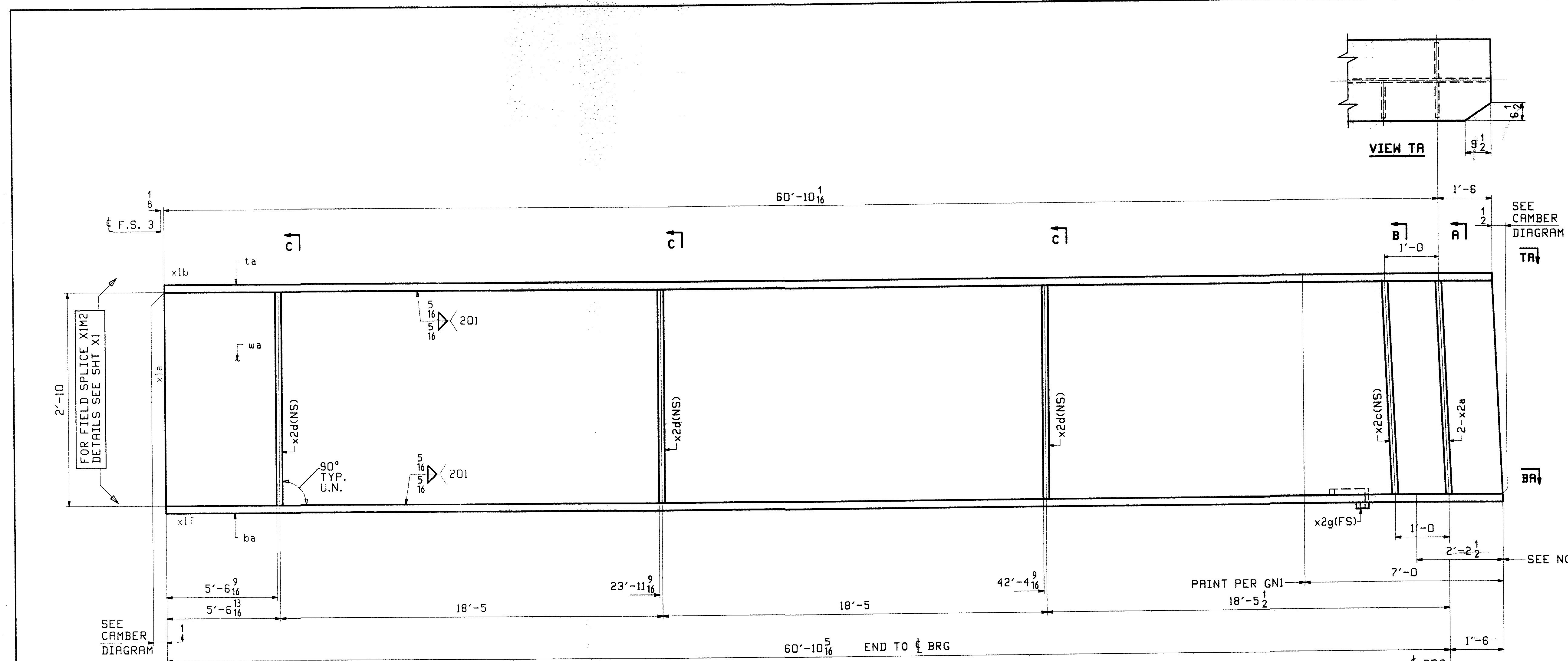
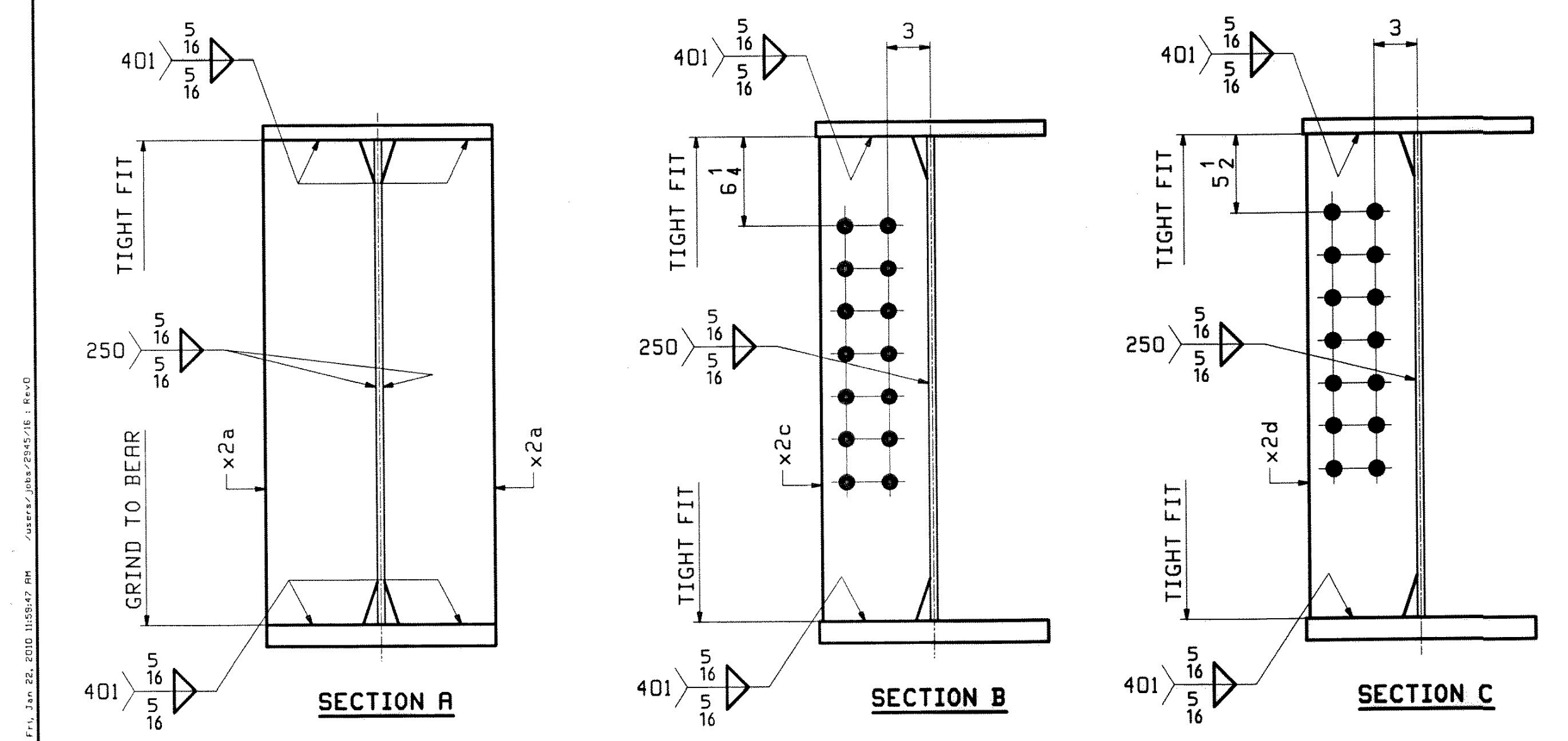
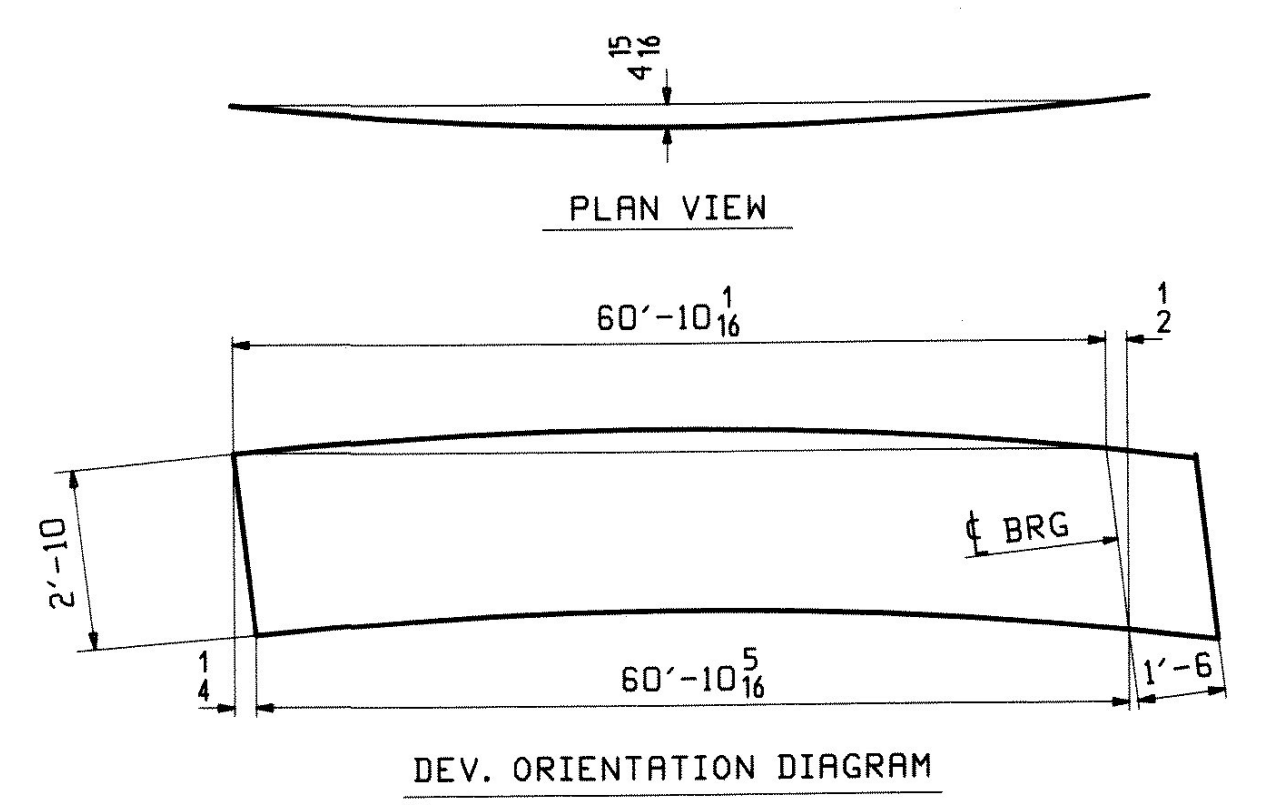
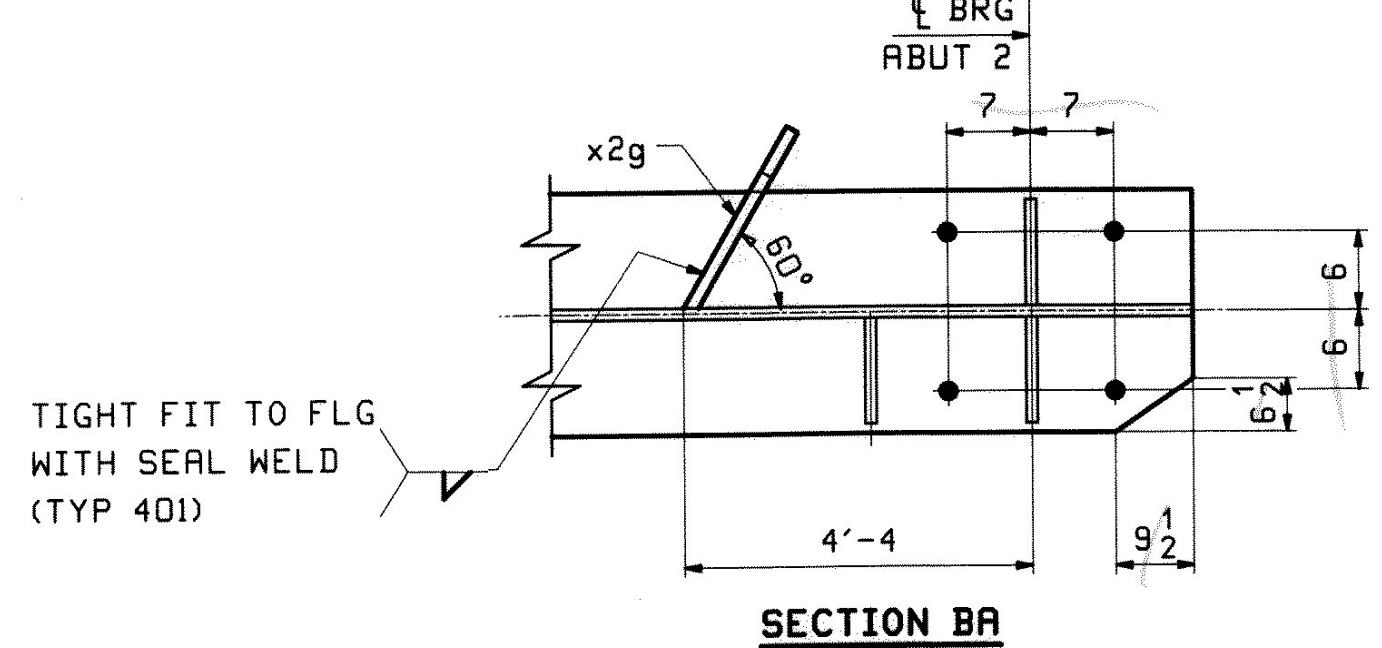


ABM INFO		BILL OF MATERIAL				JOB NO.	DRAWING NO.	REV.	
16G1D		GIRDER				438	16		
PAGE	LINE	MARK	QTY	MARK	MATERIAL	LENGTH FT INCHES	REMARKS	WT	PROCUREMENT NOTES
4	J		1	wa	PL $\frac{1}{2}$ x 34	82'-4 $\frac{9}{16}$	M270-50W12		
2	N		1	ta	PL 1 x 16	62'-4 $\frac{5}{16}$	M270-50W12		
1	A		1	ba	PL 1 $\frac{1}{2}$ x 16	62'-4 $\frac{5}{16}$	M270-50W12		
6	K		2	x2a	PL $\frac{7}{8}$ x 7 $\frac{3}{4}$	2'-10"	NIC		
6	L		1	x2c	PL $\frac{1}{2}$ x 7 $\frac{1}{2}$	2'-10"			
6	L		3	x2d	PL $\frac{1}{2}$ x 7 $\frac{1}{2}$	2'-10"			
6	N		1	x2g	PL $\frac{1}{2}$ x 3 $\frac{1}{2}$	0'-11 $\frac{1}{8}$ "			



ONE - GIRDER - 16G1D (DEV)

FOR FIELD SPLICE & STANDARD DETAILS SEE X SHEETS
 FOR CAMBER DIAGRAM SEE SHEET C2
 FOR FLANGE DIAGRAM SEE SHEET F1
 FOR GENERAL NOTES SEE SHEET GNI



NOTE A:
NO PAINT BOTTOM AND EDGES OF BOTTOM FLANGE.

2/9/10

28

REV.	DATE	REMARKS	DWN	CHK	APVL	SHOP
0						
MATERIAL:		SURFACE PREP. & PRINT:	HOLES:		SHOP BOLTS:	
M270-50W (UN)		SEE GNI	15 ϕ U.N.		NONE	
DESCRIPTION: GIRDER - 16G1D						
CASCO BAY STEEL STRUCTURES, INC. 75 SPRING HILL ROAD SACO, MAINE 04072 PHONE (207) 282-7360 FAX. (207) 282-1179						
STRUCTURE: U.S. 5 over I-91 Bridge No. 19A Putney County of Windham				DATE:	DATE:	
				WJF	01/12	
				DO	01/14	
LOCATION: Putney			JOB NO.	DWG NO.		
PROJ NO. IM 091-1(31)			438	16		
CUSTOMER: VT ROT				REV. Δ		