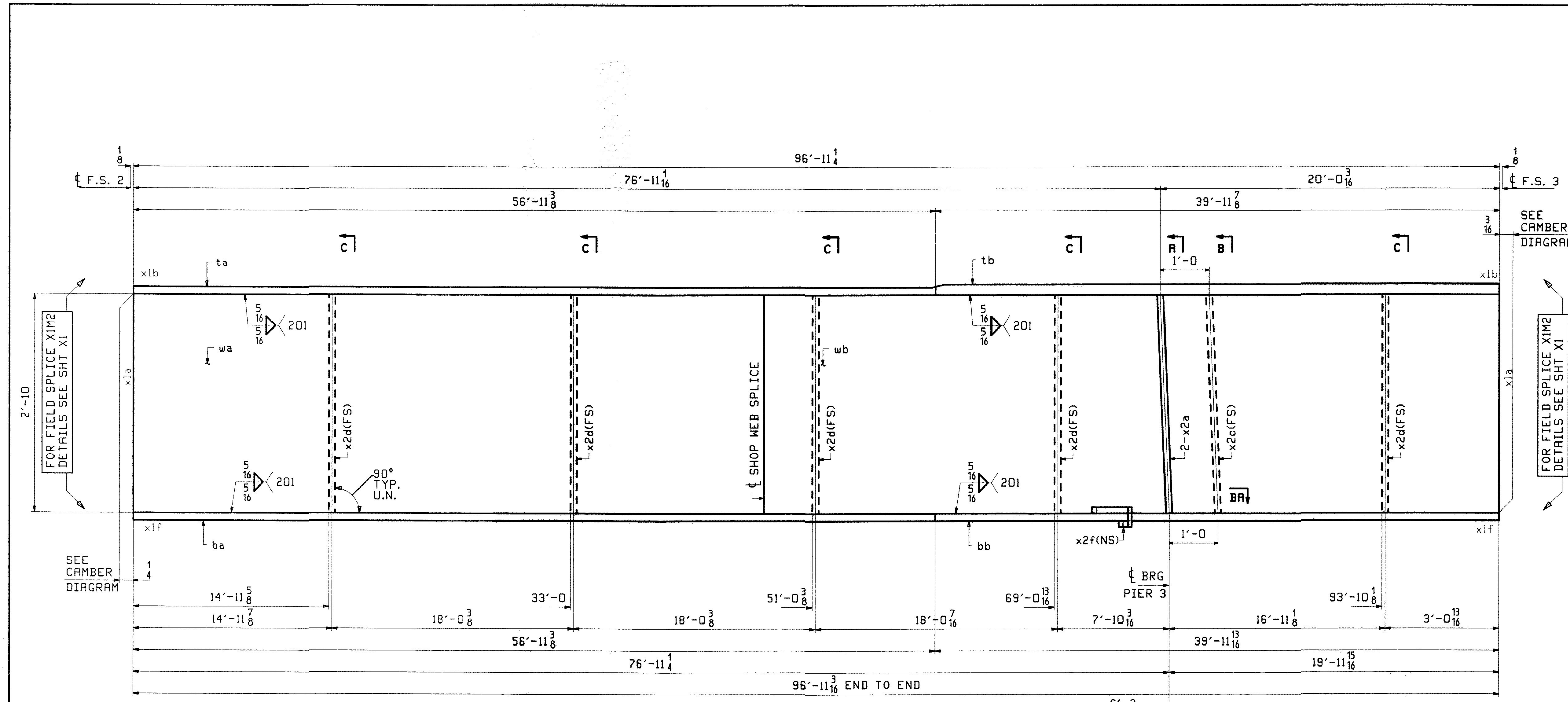


ABH INFO		BILL OF MATERIAL				JOB NO.	DRAWING NO.	REV.	
PAGE	LINE	MARK	QTY	MARK	MATERIAL	LENGTH FT INCHES	REMARKS	WT	PROCUREMENT NOTES
		15G5C	1		GIRDER			20242	
5	J	1	wa	PL 1/2x34	46 11 5/8		M270-50WT2		
4	Y	1	wb	PL 1/2x34	49 11 5/8		M270-50WT2		
3	A	1	ta	PL 1x16	58 11 5/8		M270-50WT2		
2	L	1	tb	PL 1 1/2x16	39 11 5/8		M270-50WT2		
1	N	1	ba	PL 1 1/2x16	58 11 5/8		M270-50WT2		
2	L	1	bb	PL 1 1/2x16	39 11 5/8		M270-50WT2		
6	K	2	x2a	PL 7/8x7 1/4	2 10"		MIC		
6	L	1	x2c	PL 1 1/2x7 1/4	2 10"				
6	L	5	x2d	PL 1 1/2x7 1/4	2 10"				
6	N	1	x2f	PL 1 1/2x3 1/2	0 11 5/8"				



SEE CAMBER DIAGRAM

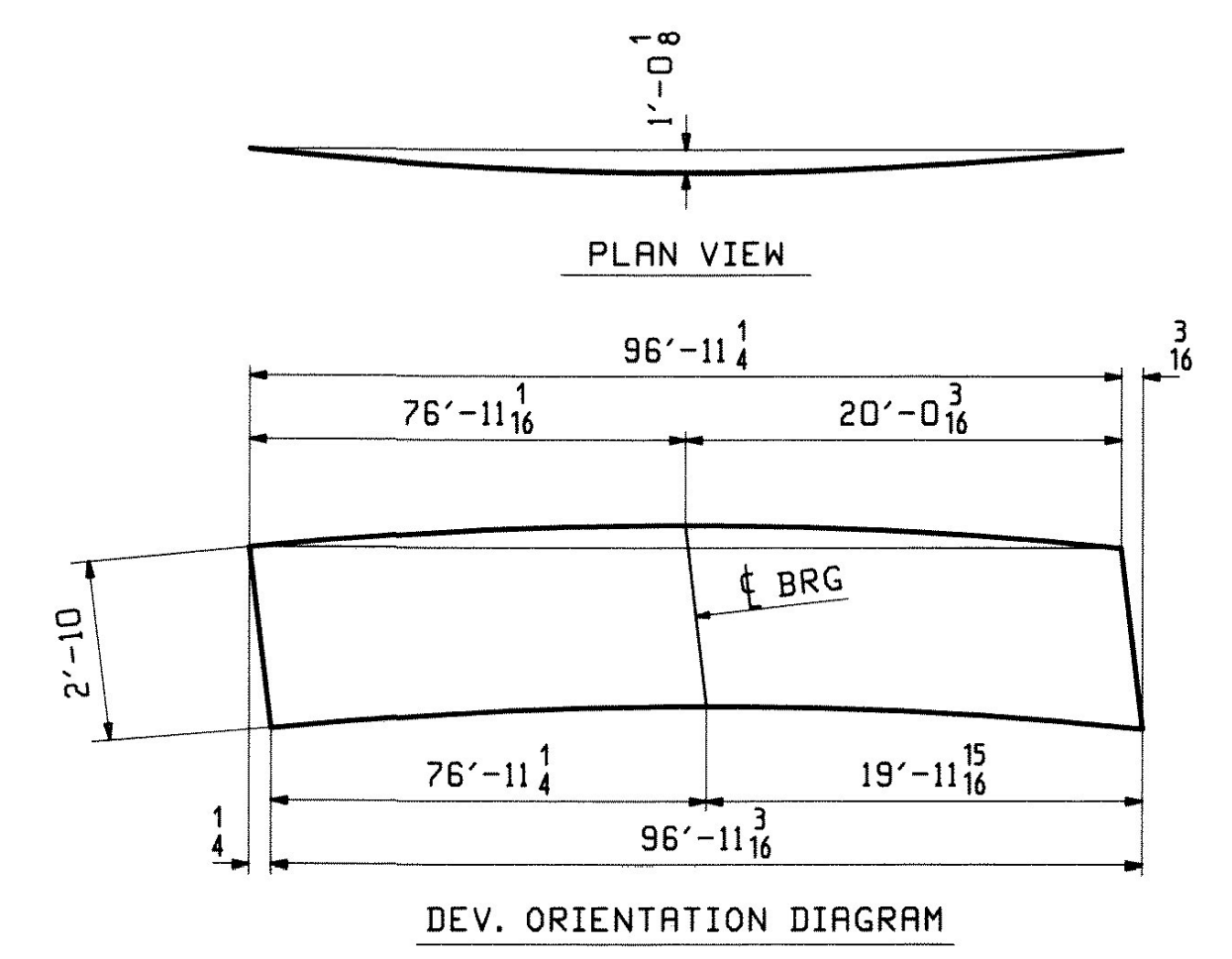
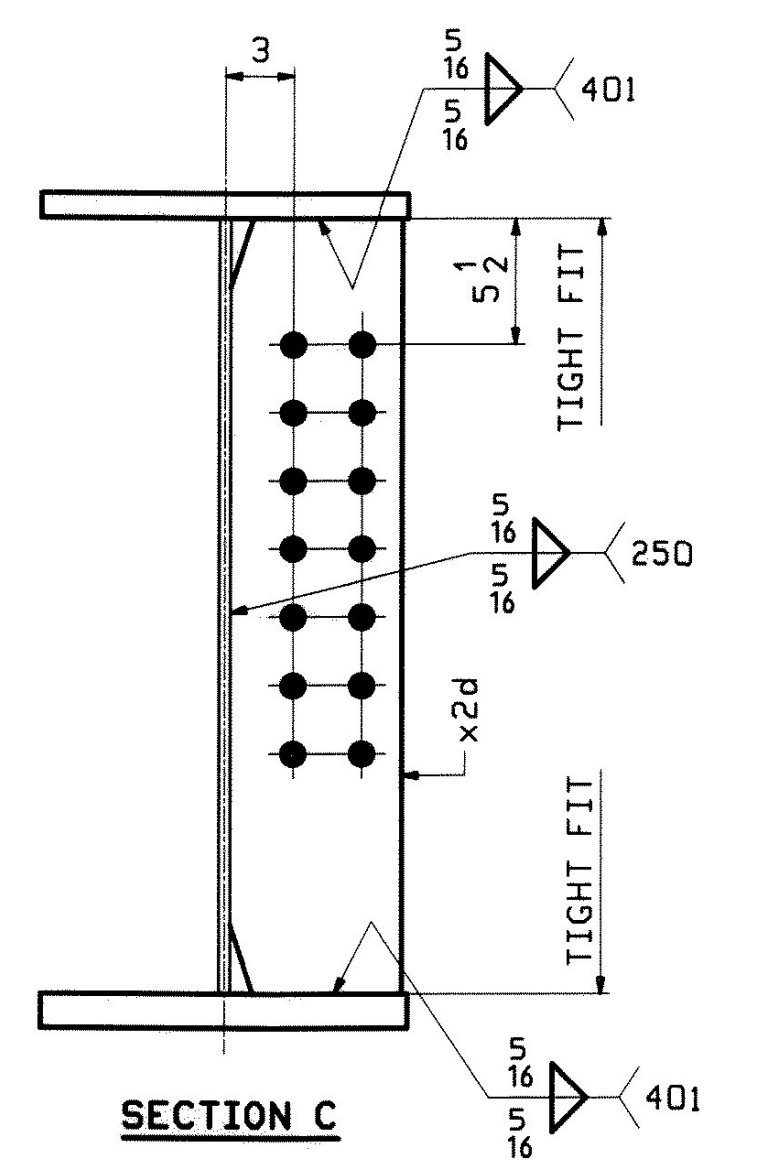
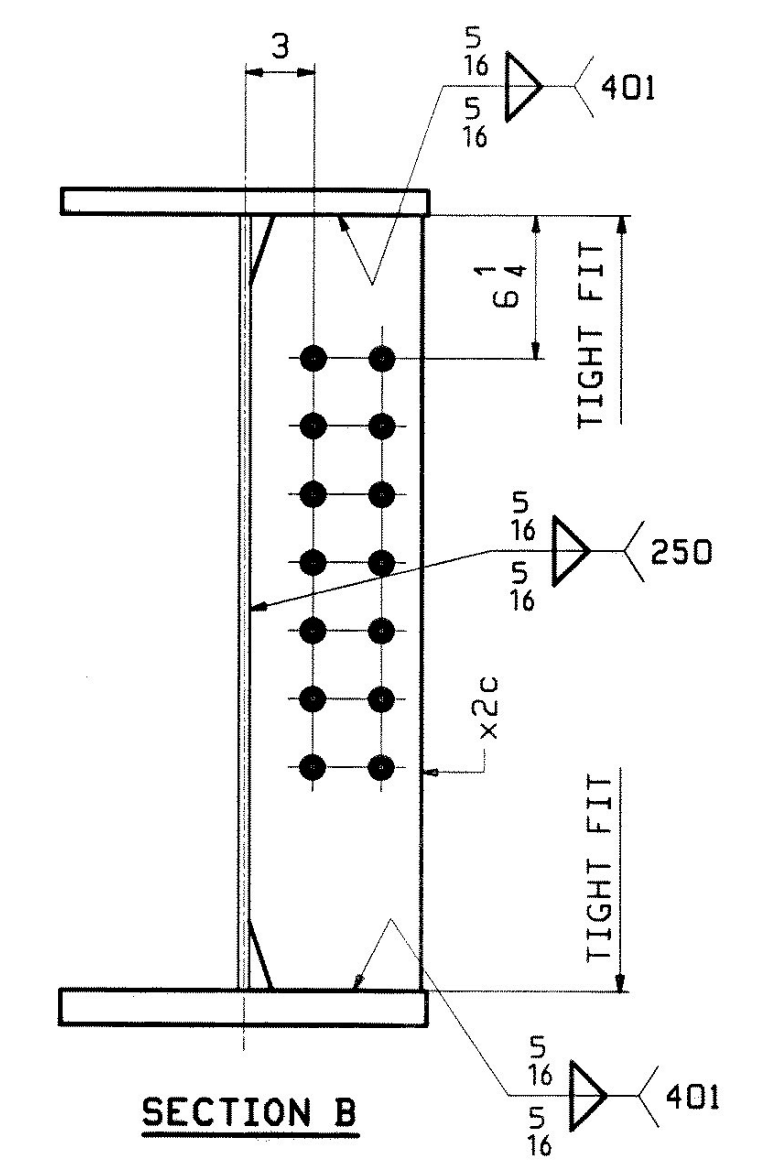
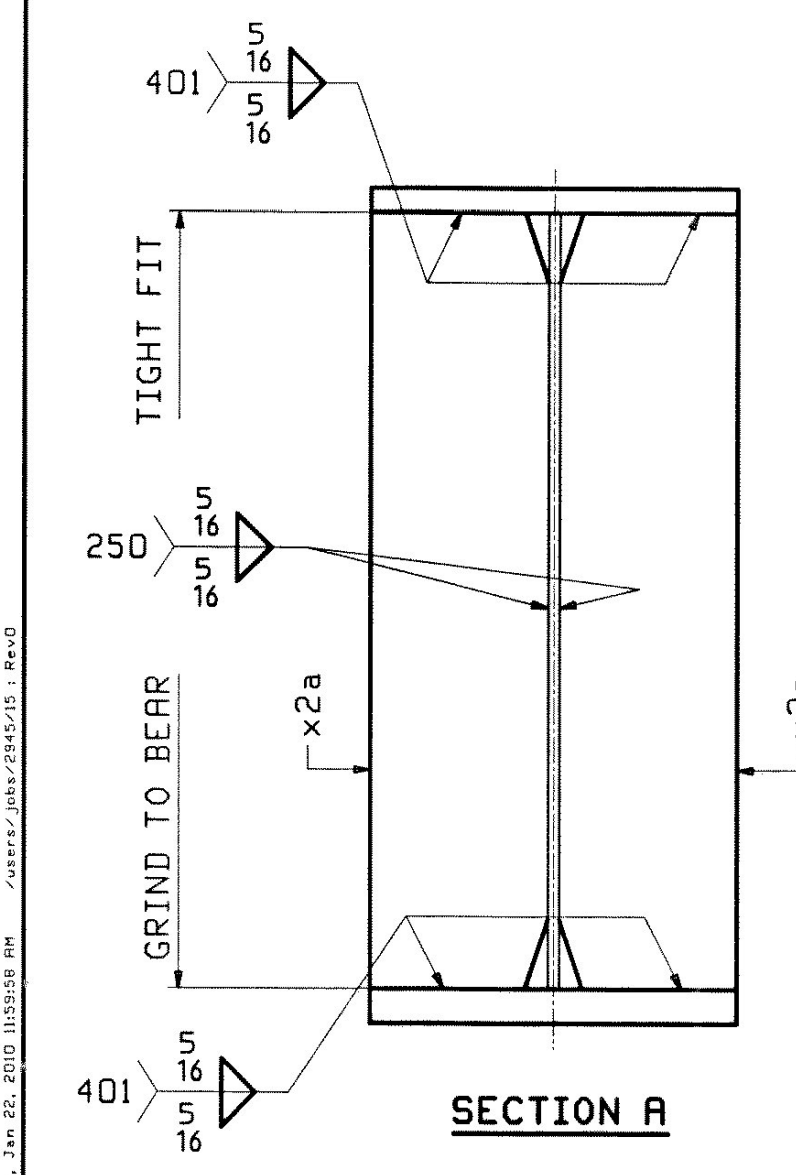
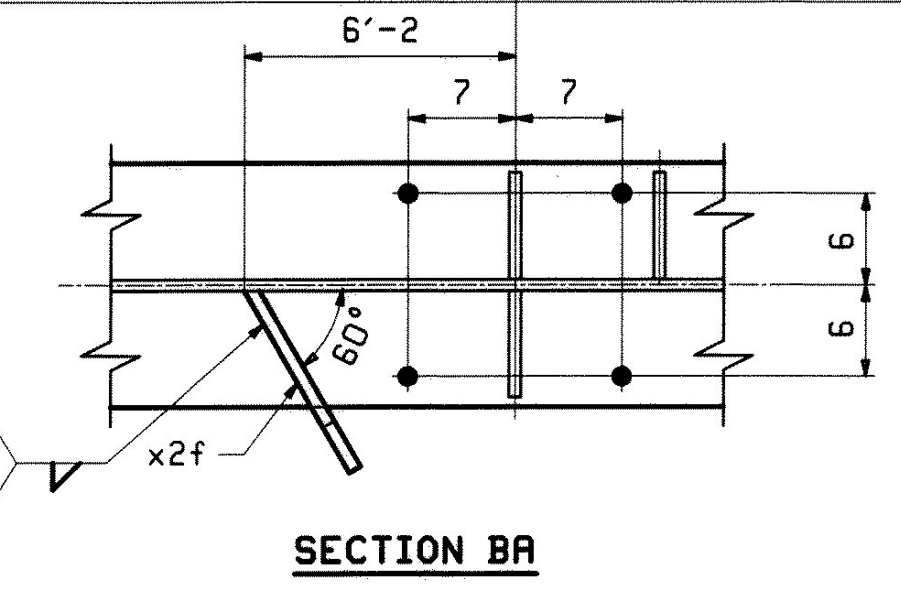
FOR FIELD SPLICE XIM2 DETAILS SEE SHT X1

SEE CAMBER DIAGRAM

ONE - GIRDER - 15G5C (DEV)

FOR FIELD SPLICE & STANDARD DETAILS SEE X SHEETS
 FOR CAMBER DIAGRAM SEE SHEET C2
 FOR FLANGE DIAGRAM SEE SHEET F3
 FOR GENERAL NOTES SEE SHEET GN1

TIGHT FIT TO FLG WITH SEAL WELD (TYP 401)



REV.	DATE	REMARKS	DWN	CHK	APVL	SHOP
0						
MATERIAL:		SURFACE PREP. & PAINT:	HOLES:		SHOP BOLTS:	
M270-50W (UN)		SEE GNI	15/16" Ø U.N.		NONE	
DESCRIPTION: GIRDER - 15G5C						
CASCO BAY STEEL STRUCTURES, INC. 75 SPRING HILL ROAD SACO, MAINE 04072 PHONE (207) 282-7360 FAX. (207) 282-1179						
STRUCTURE: U.S. 5 over I-91 Bridge No. 19A Putney County of Windham				DRAWN: WJF	DATE: 01/12	
LOCATION: Putney				CHKD: DO	DATE: 01/14	
PROJ NO. IM 091-1(31)				JOB NO. 438	DWG NO. 15	
CUSTOMER: VT AOT					REV. △	

DATE: 2/9/10
 SIGNATURE: [Signature]