

ABM INFO		BILL OF MATERIAL				JOB NO.	DRAWING NO.	REV.	
PAGE	LINE	MARK	QTY	MARK	MATERIAL	LENGTH	REMARKS	WT	PROCUREMENT NOTES
						FT			
						INCHES			
		11G1C	1		GIRDER			20914	
4	W		1	wa	PL 1/2 x 3/4	50 5/8			M270-50MT2
5	W		1	wb	PL 1/2 x 3/4	49 11/16			M270-50MT2
2	S		1	ta	PL 1/2 x 1/2	60 5/16			M270-50MT2
2	L		1	tb	PL 1/2 x 1/2	39 11/16			M270-50MT2
1	E		1	ba	PL 1/2 x 1/2	60 5/16			M270-50MT2
2	L		1	bb	PL 1/2 x 1/2	39 11/16			M270-50MT2
6	K		2	x2a	PL 7/8 x 7/4	2 10			MIE
6	L		1	x2c	PL 1/2 x 7/2	2 10			
6	L		5	x2d	PL 1/2 x 7/2	2 10			
6	N		1	x2g	PL 1/2 x 3/2	0 11 3/8			

SEE CAMBER DIAGRAM

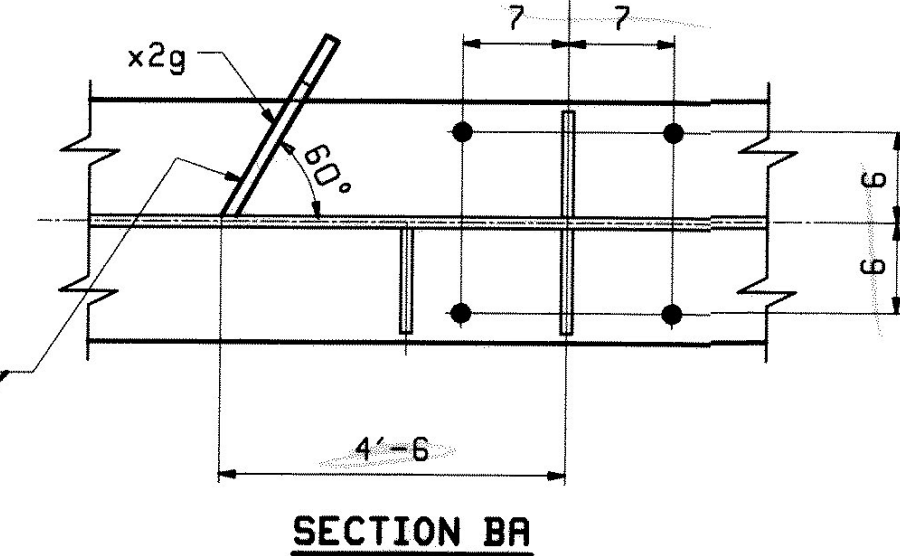
FOR FIELD SPLICE XIM2 DETAILS SEE SHT X1

FOR FIELD SPLICE XIM2 DETAILS SEE SHT X1

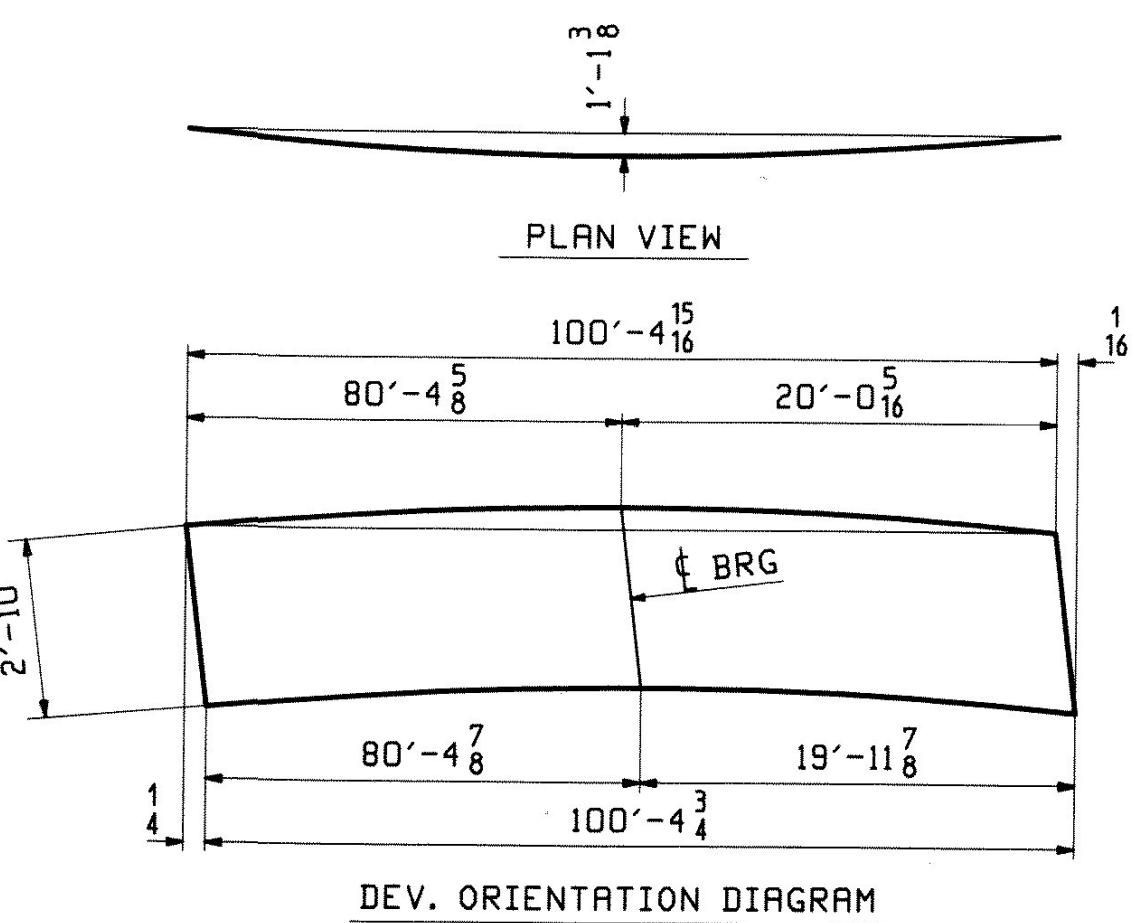
**ONE - GIRDER - 11G1C (DEV)**

FOR FIELD SPLICE & STANDARD DETAILS SEE X SHEETS  
 FOR CAMBER DIAGRAM SEE SHEET C2  
 FOR FLANGE DIAGRAM SEE SHEET F3  
 FOR GENERAL NOTES SEE SHEET GNI

TIGHT FIT TO FLG WITH SEAL WELD (TYP 401)

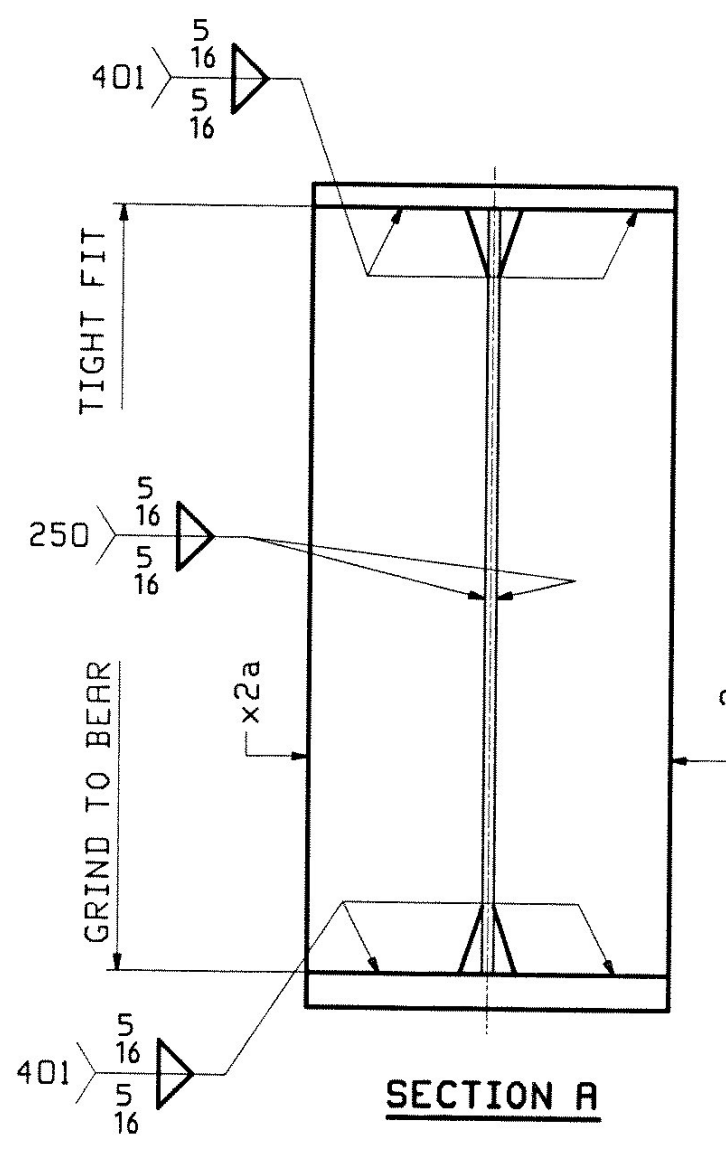


SECTION BA

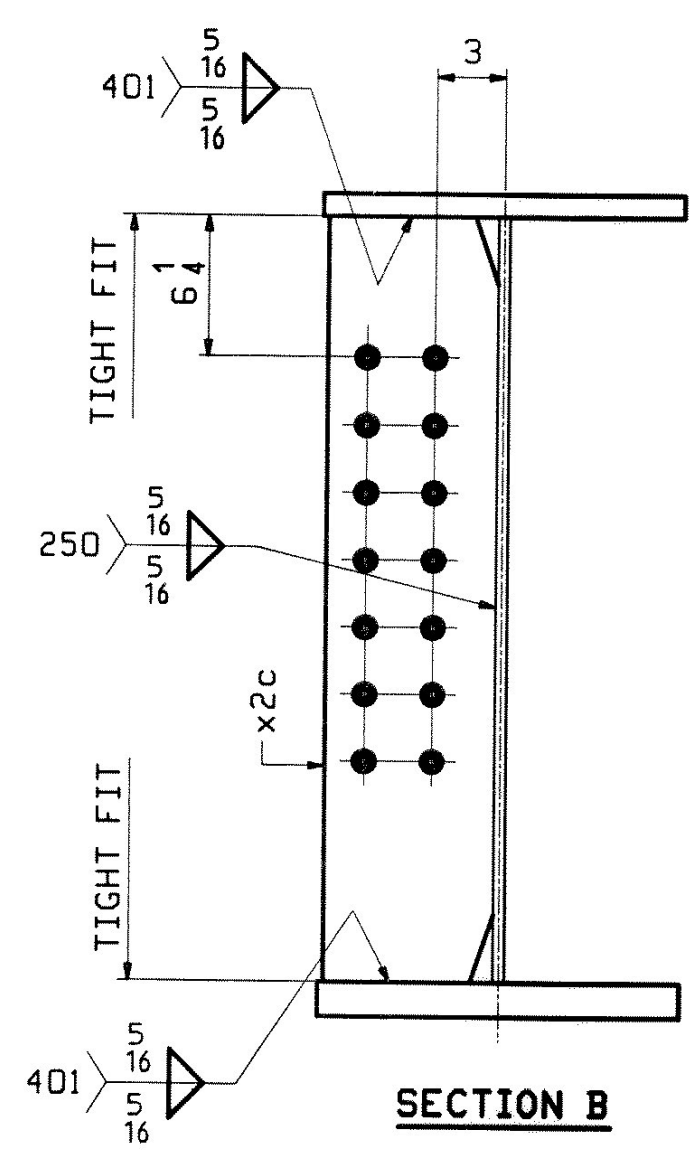


PLAN VIEW

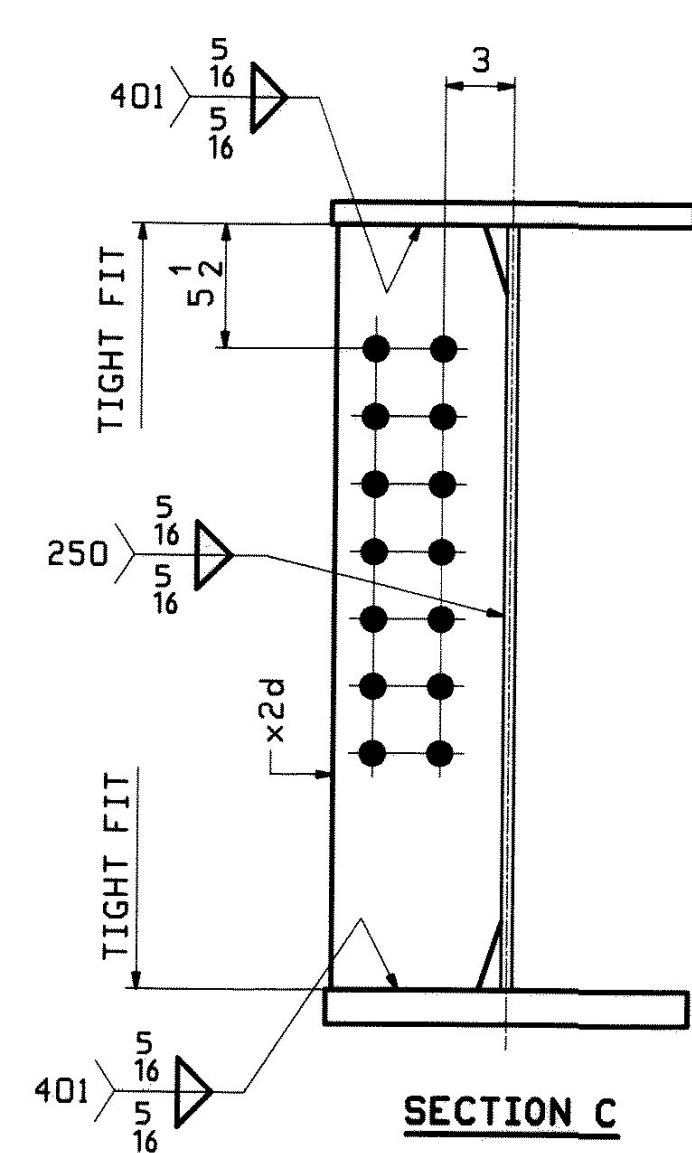
DEV. ORIENTATION DIAGRAM



SECTION A



SECTION B



SECTION C

DATE: 2/9/10  
 SIGNATURE: [Handwritten Signature]

REV.	DATE	REMARKS	DWN	CHK	APVL	SHOP
0						
MATERIAL:		SURFACE PREP. & PAINT:		HOLES:		SHOP BOLTS:
M270-50W (UN)		SEE GNI		1 1/2" Ø U.N.		NONE
DESCRIPTION: GIRDER - 11G1C						
CASCO BAY STEEL STRUCTURES, INC. 75 SPRING HILL ROAD SACO, MAINE 04072 PHONE (207) 282-7360 FAX. (207) 282-1179						
STRUCTURE: U.S. 5 over I-91 Bridge No. 19A Putney County of Windham				DRAWN: WJF DATE: 01/11		DATE: 01/15
LOCATION: Putney				JOB NO. 438		DWG NO. 11
PROJ. NO. IM 091-1(31)				REV. 11		REV. 11
CUSTOMER: VT ROT						