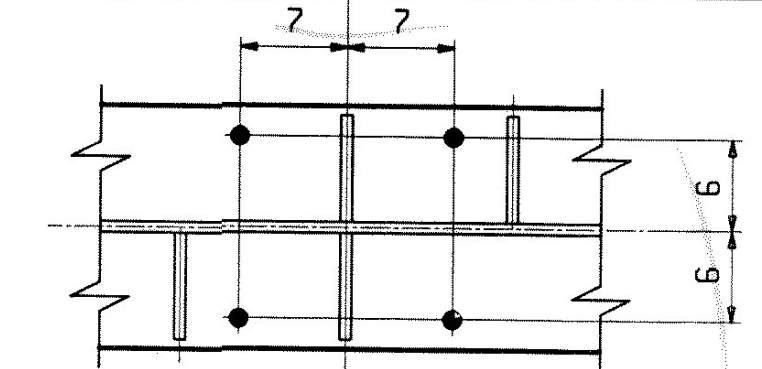
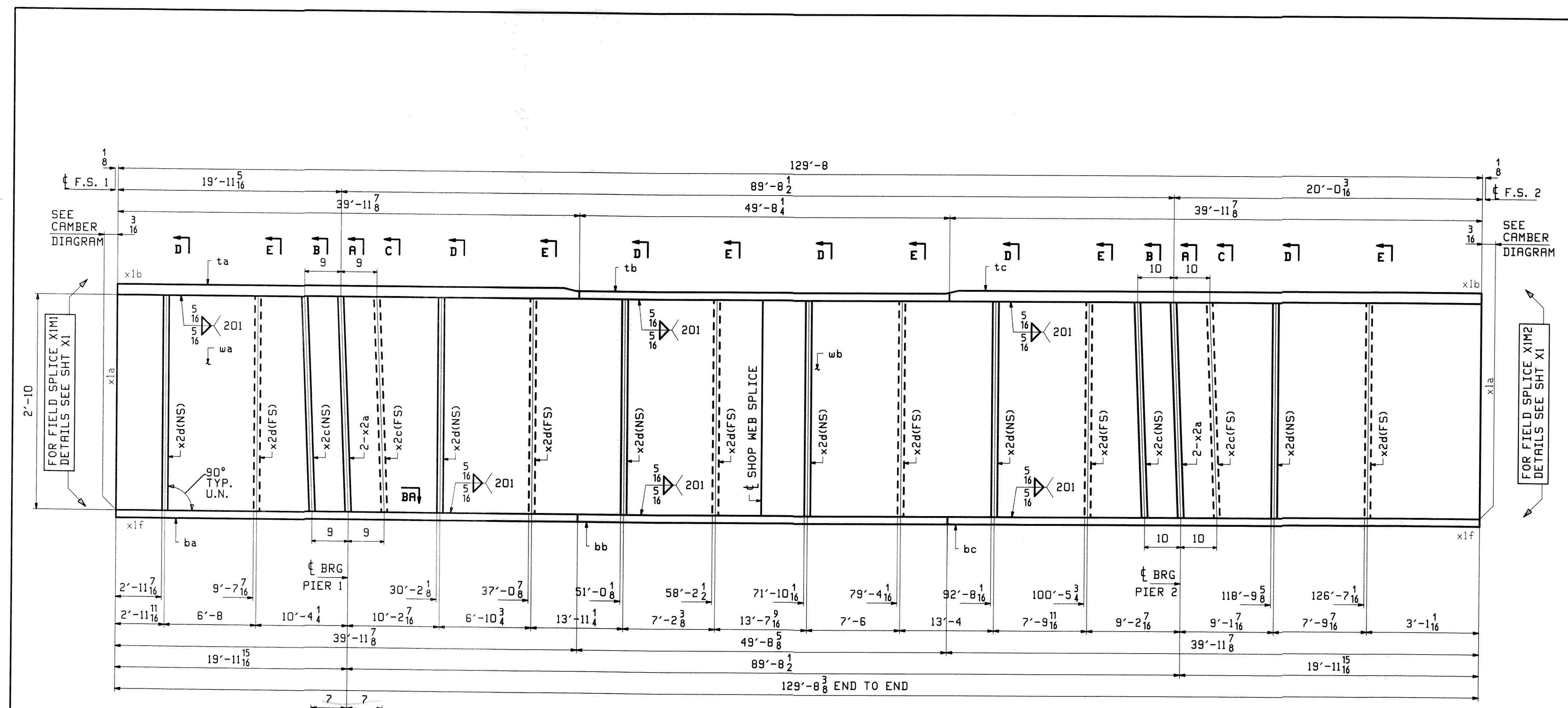
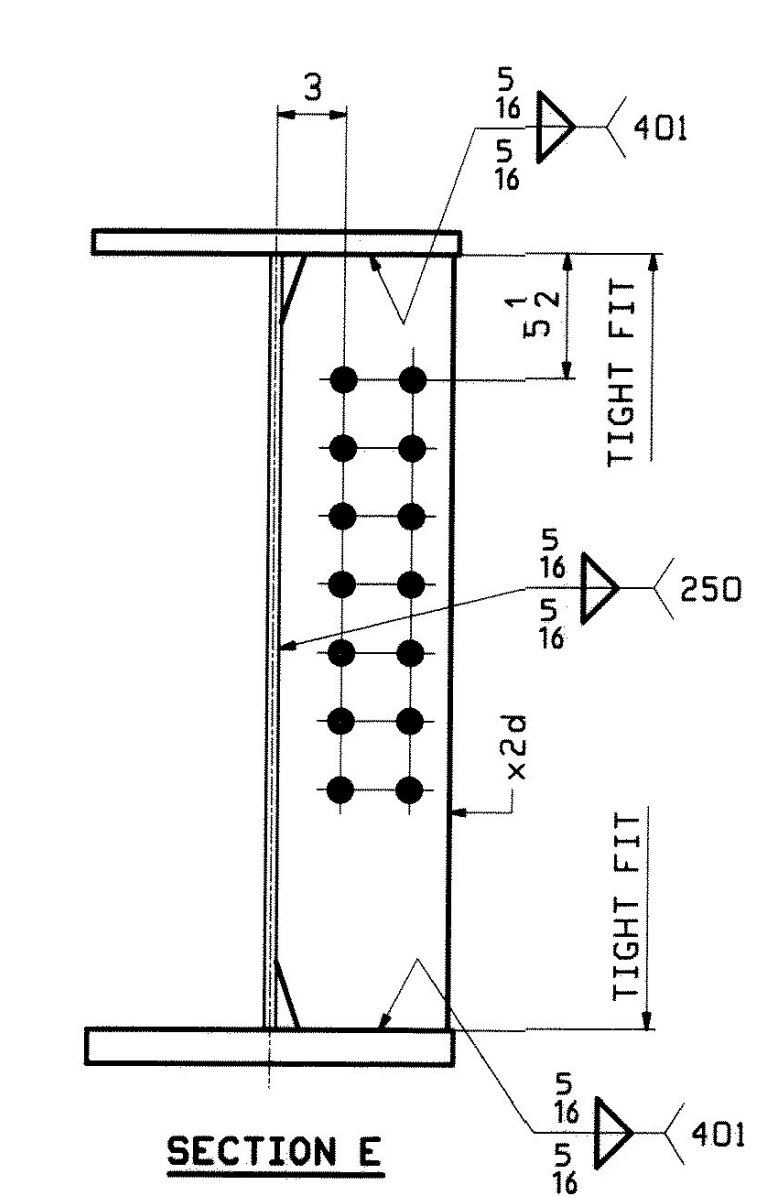
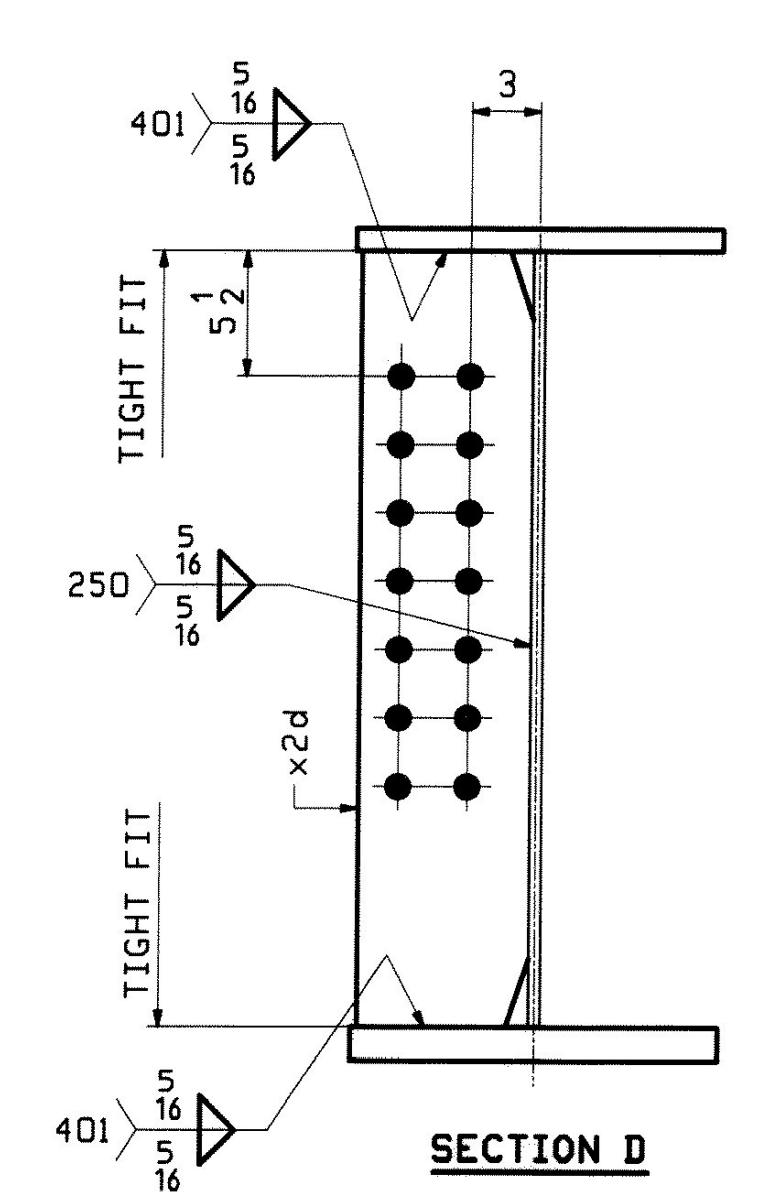
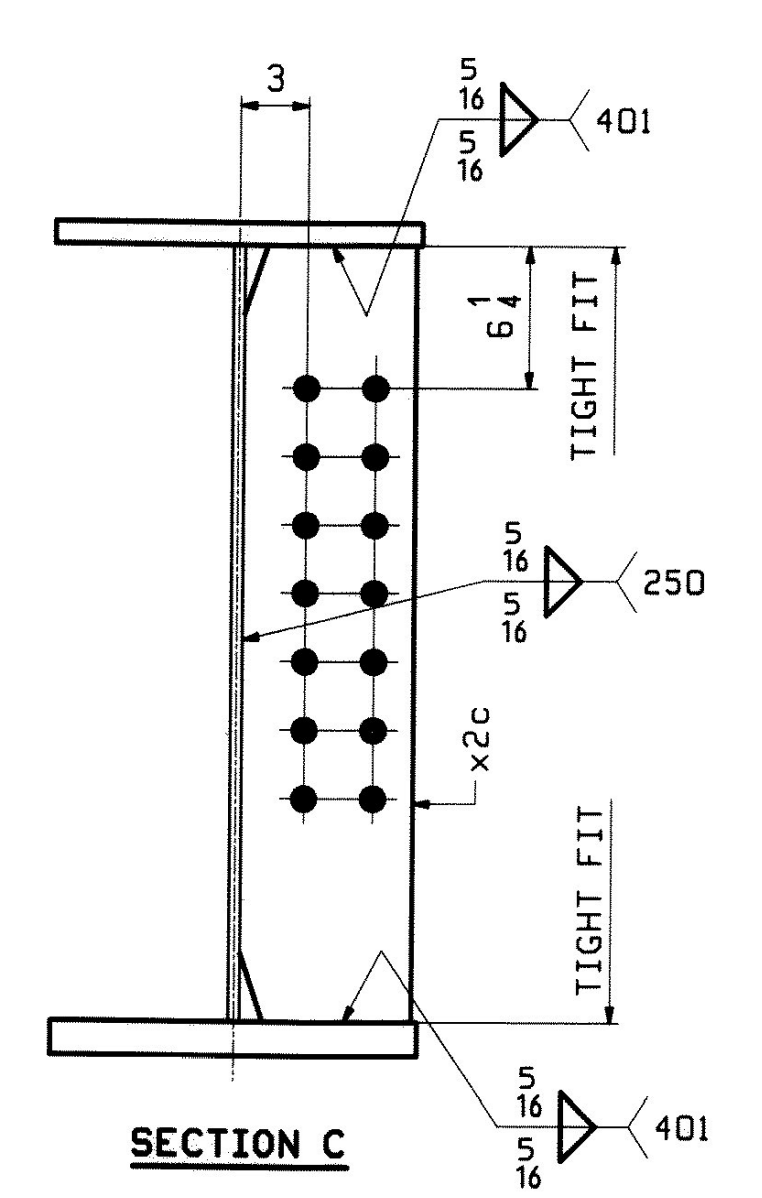
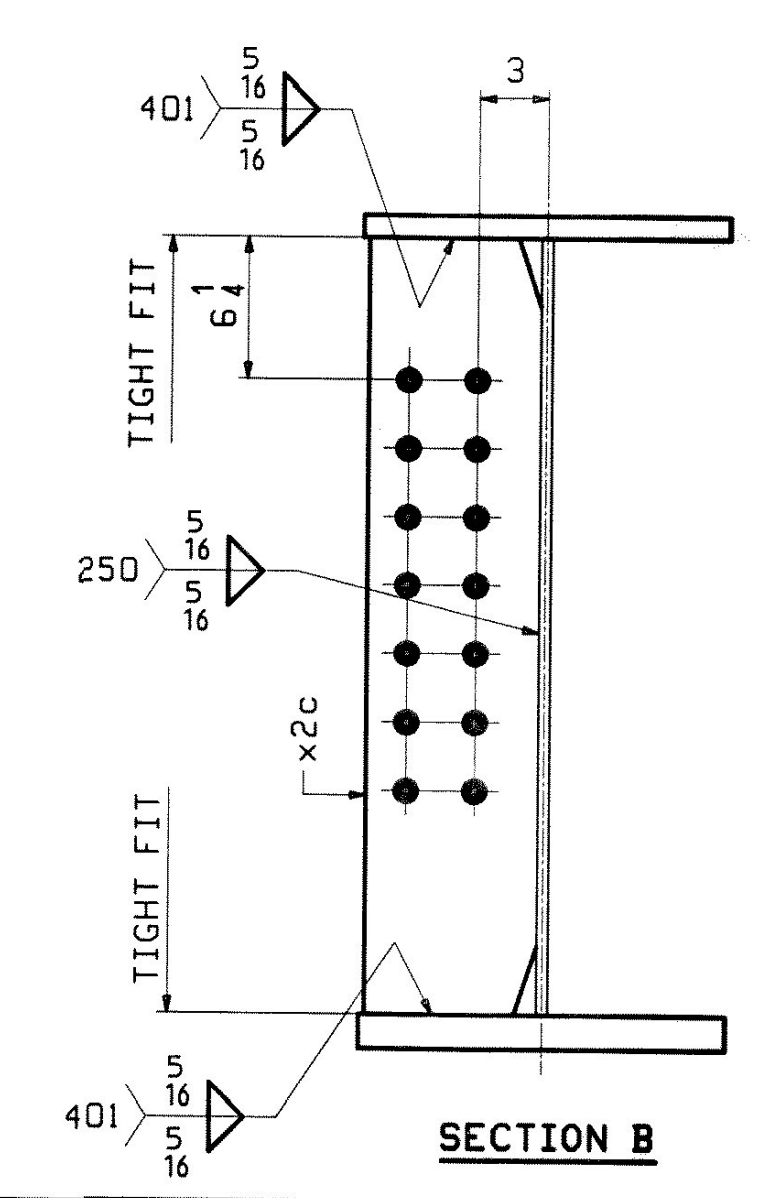
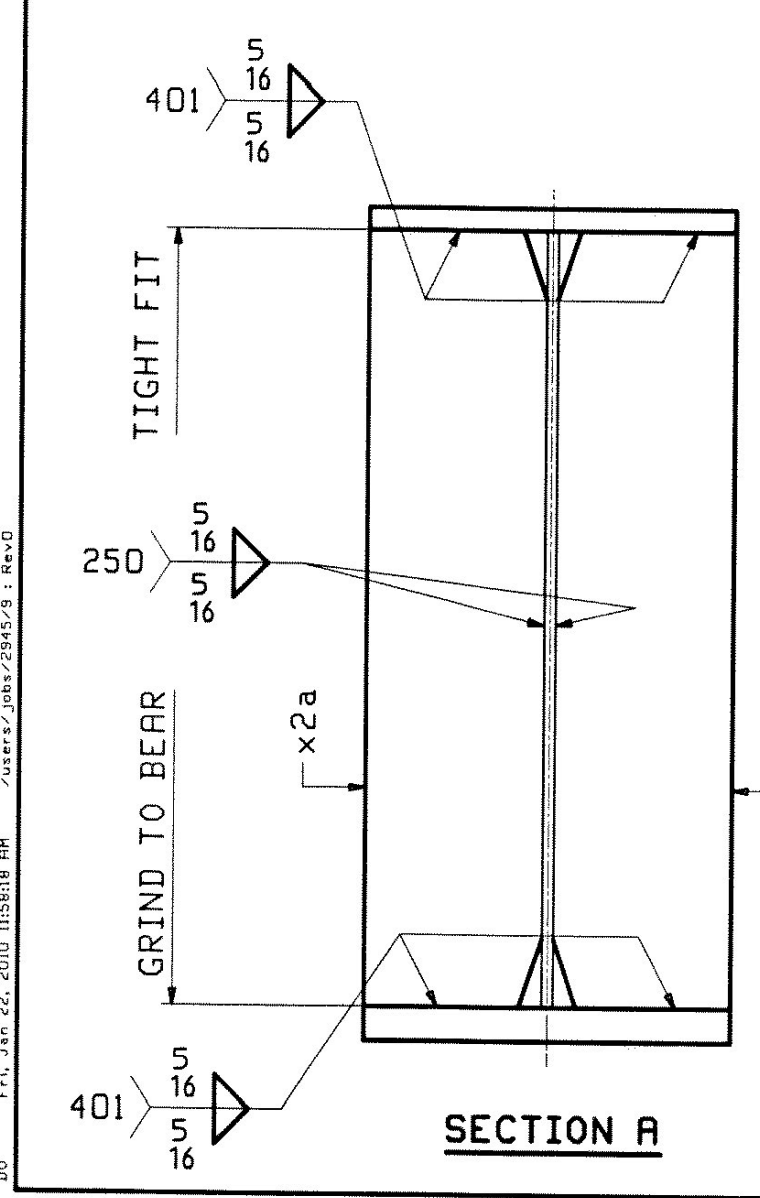
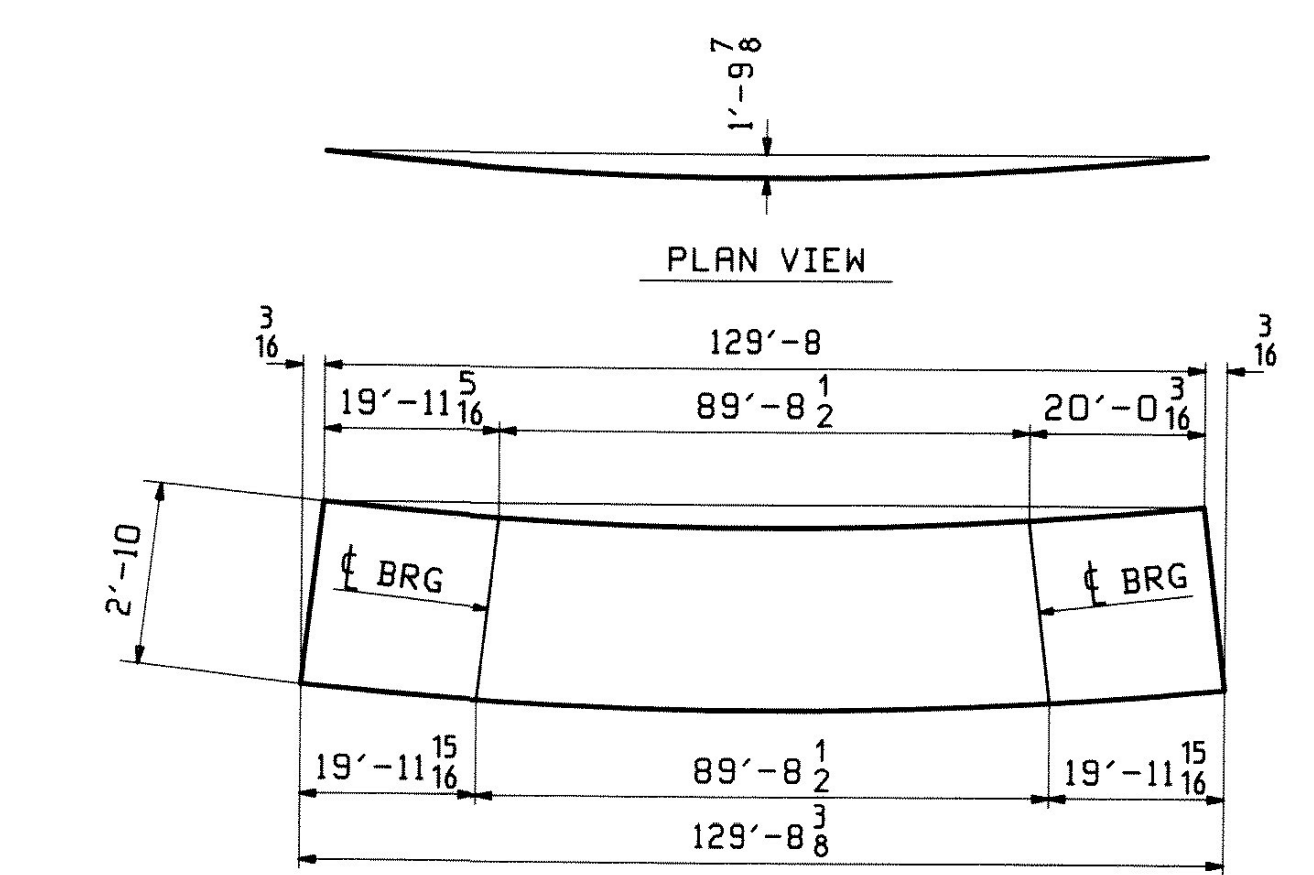


ABM INFO		BILL OF MATERIAL				JOB NO.	DRAWING NO.	REV.	
PAGE	LINE	MARK	QTY	MARK	MATERIAL	LENGTH FT INCHES	REMARKS	WT	PROCUREMENT NOTES
		9G4B	1		GIRDER			28172	
4	U	1	wa		PL 1/2 x 3/4	62 5/16	M270-50WT2		
4	E	1	wb		PL 2 x 3/4	67 2/16	M270-50WT2		
2	L	1	ta		PL 1/2 x 1/8	39 11/16	M270-50WT2		
3	J	1	tb		PL 1 x 1/8	49 8/16	M270-50WT2		
2	L	1	tc		PL 1/2 x 1/8	39 11/16	M270-50WT2		
2	L	1	ba		PL 1/2 x 1/8	39 11/16	M270-50WT2		
1	W	1	bb		PL 1/2 x 1/8	49 8/16	M270-50WT2		
2	L	1	bc		PL 1/2 x 1/8	39 11/16	M270-50WT2		
6	K	4	x2a		PL 3/8 x 7/8	2 10	PIE		
6	L	4	x2c		PL 1/2 x 7/8	2 10			
6	L	12	x2d		PL 1/2 x 7/8	2 10			



ONE - GIRDER - 9G4B (DEV)

FOR FIELD SPLICE & STANDARD DETAILS SEE X SHEETS
 FOR CAMBER DIAGRAM SEE SHEET C1
 FOR FLANGE DIAGRAM SEE SHEET F2
 FOR GENERAL NOTES SEE SHEET GN1



DATE: 2/9/10
 SIGNATURE: [Signature]
 REVIEW BY STATISTICAL ENGINEER: [Signature]
 REVIEW BY STRUCTURAL ENGINEER: [Signature]
 REVIEW BY QUALITY CONTROL: [Signature]
 REVIEW BY PROJECT MANAGER: [Signature]
 REVIEW BY DESIGNER: [Signature]

REV.	DATE	REMARKS	DWN	CHK	APVL	SHOP
0						
MATERIAL:		SURFACE PREP. & PAINT:		HOLES:		SHOP BOLTS:
M270-50W (UN)		SEE GNI		15/16" Ø U.N.		NONE
DESCRIPTION: GIRDER - 9G4B						
CASCO BAY STEEL STRUCTURES, INC. 75 SPRING HILL ROAD SACO, MAINE 04072 PHONE (207) 282-7360 FAX. (207) 282-1179						
STRUCTURE: U.S. 5 over I-91 Bridge No. 19A Putney County of Windham			DRAWN:	DATE:		
			WJF	01/11		
			CHKD:	DATE:		
			DO	01/13		
LOCATION: Putney			JOB NO.	DWG NO.		
PROJ NO. IM 091-1(31)			438	9		
CUSTOMER: VT ROT				REV. [Triangle]		