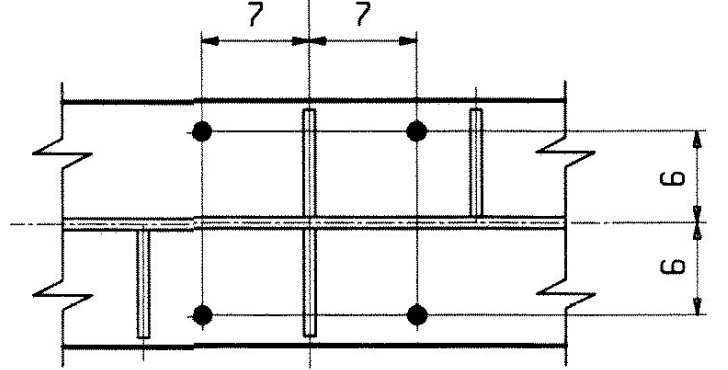
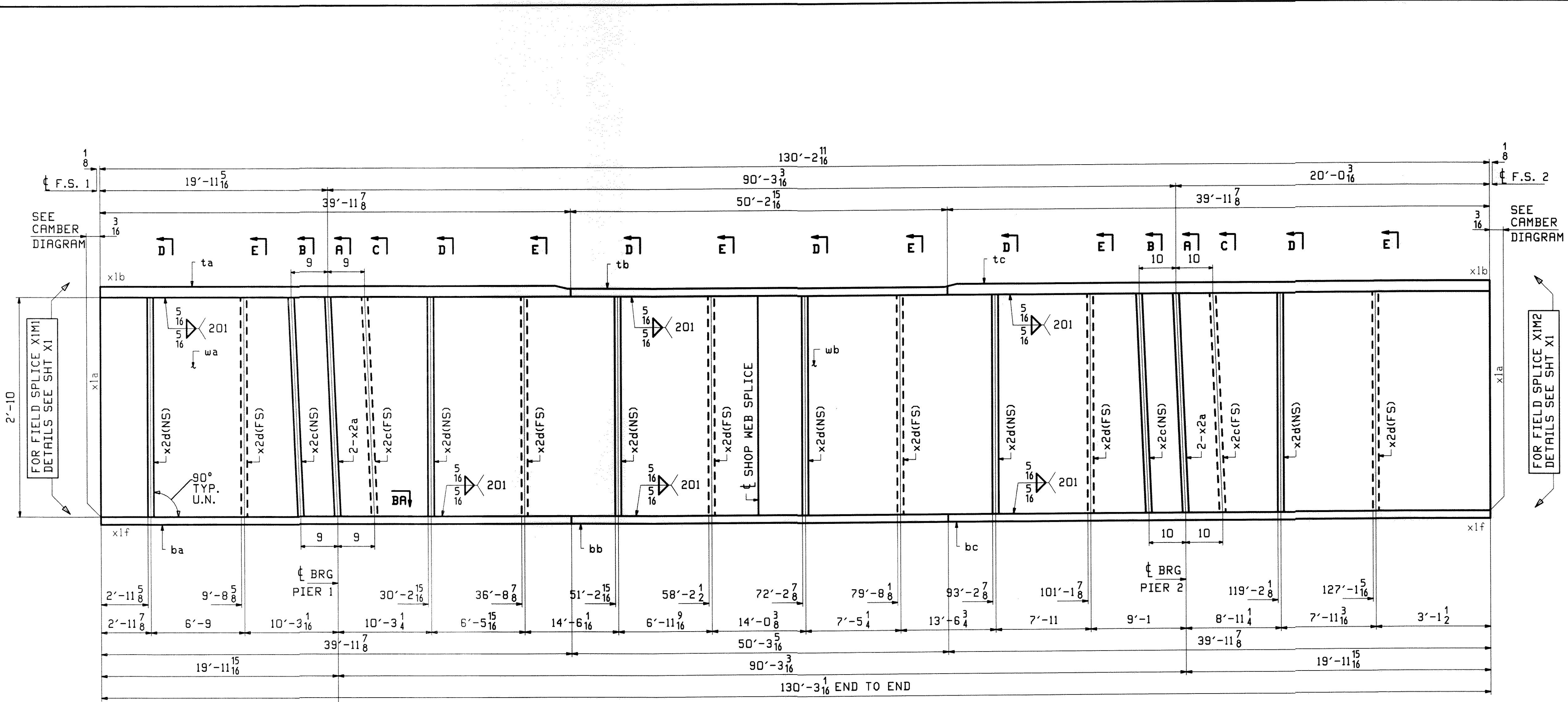
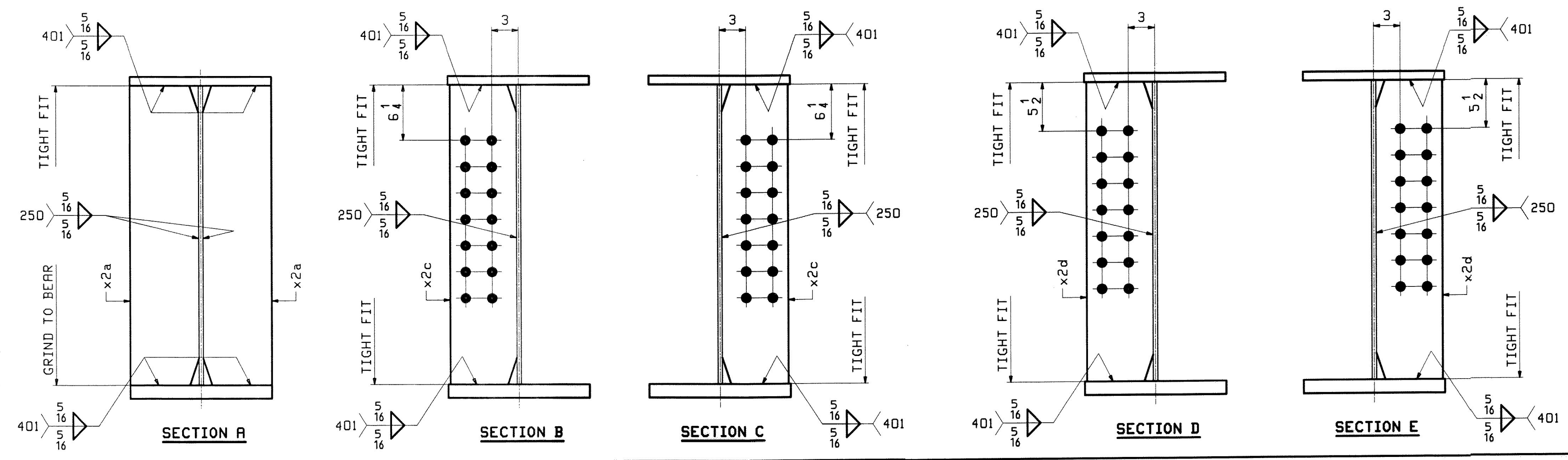
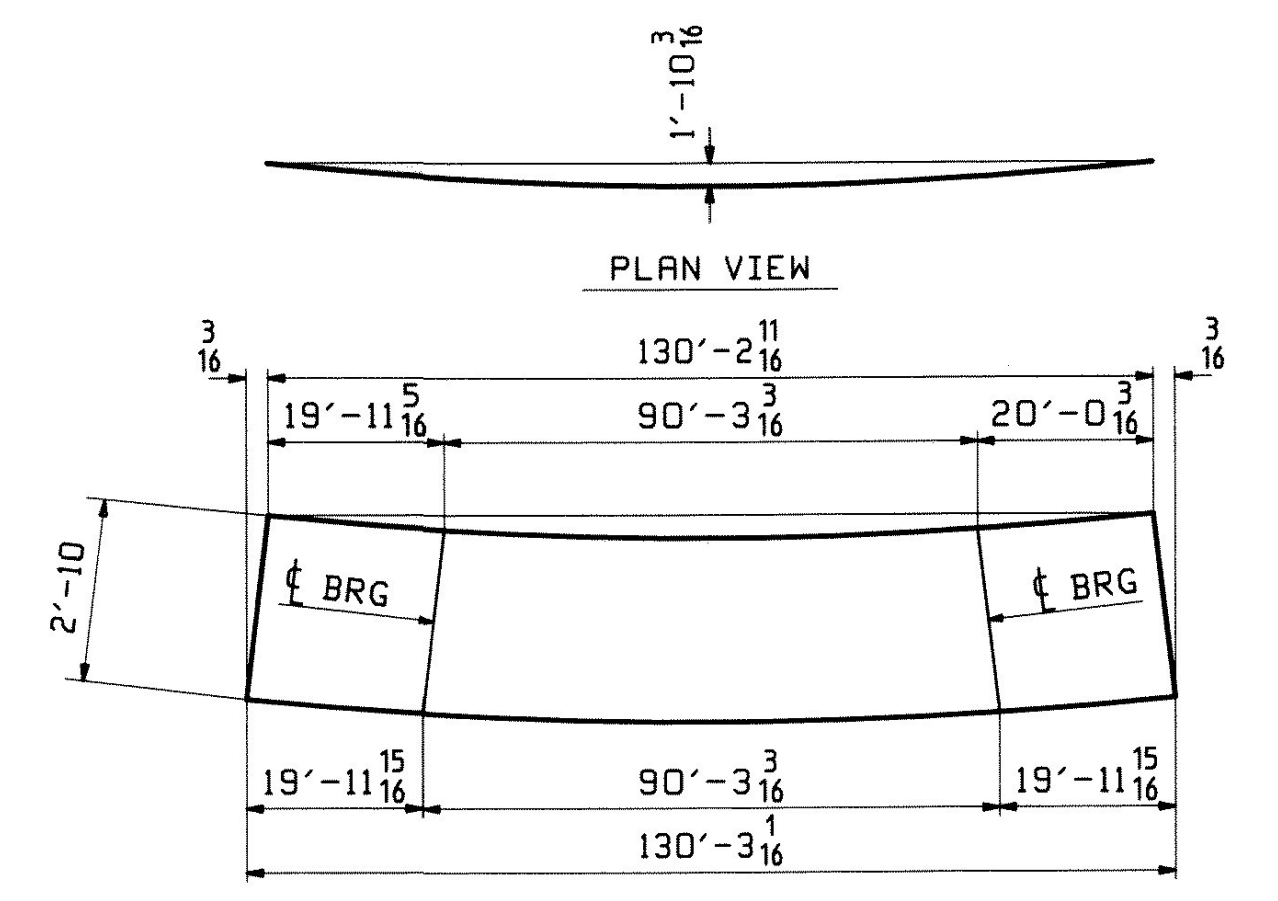


RBM INFO		BILL OF MATERIAL				JOB NO.	DRAWING NO.	REV.	
						438	8		
PAGE	LINE	MARK	QTY	MARK	MATERIAL	LENGTH	REMARKS	NT	PROCUREMENT NOTES
						FT INCHES			
		BG3B	1		GIRDER			28280	
4	U		1	wa	PL 1/2 x 34	62 5/16			
4	C		1	wb	PL 1/2 x 34	67 9/16			
2	L		1	ta	PL 1/2 x 16	39 7/8			
3	G		1	tb	PL 1/2 x 16	50 2 1/8			
2	L		1	tc	PL 1/2 x 16	39 7/8			
2	L		1	ba	PL 1/2 x 16	39 7/8			
1	U		1	bb	PL 1/2 x 16	50 2 1/8			
2	L		1	bc	PL 1/2 x 16	39 7/8			
6	K		4	x2a	PL 3/8 x 7 1/4	2 10			
6	L		4	x2c	PL 1/2 x 7 1/2	2 10			
6	L		12	x2d	PL 1/2 x 7 1/2	2 10			



ONE - GIRDER - 8G3B (DEV)

FOR FIELD SPLICE & STANDARD DETAILS SEE X SHEETS
 FOR CAMBER DIAGRAM SEE SHEET C1
 FOR FLANGE DIAGRAM SEE SHEET F2
 FOR GENERAL NOTES SEE SHEET GNI



DATE: 2/9/10

SIGNATURE: [Signature]

REV.	DATE	REMARKS	DWN	CHK	APVL	SHOP
0						
MATERIAL:		SURFACE PREP. & PAINT:		HOLES:		SHOP BOLTS:
M270-S0W (UN)		SEE GNI		15/16 Ø U.N.		NONE
DESCRIPTION: GIRDER - 8G3B						
CASCO BAY STEEL STRUCTURES, INC. 75 SPRING HILL ROAD SACO, MAINE 04072 PHONE (207) 282-7360 FAX. (207) 282-1179						
STRUCTURE: U.S. 5 over I-91 Bridge No. 19A Putney County of Windham				DRAWN: WJF	DATE: 01/11	
				CHKD: DO	DATE: 01/13	
LOCATION: Putney			JOB NO. 438	DWG NO. 8		
PROJ NO. IM 091-(131)			CUSTOMER: VT ROT			
						REV. 8