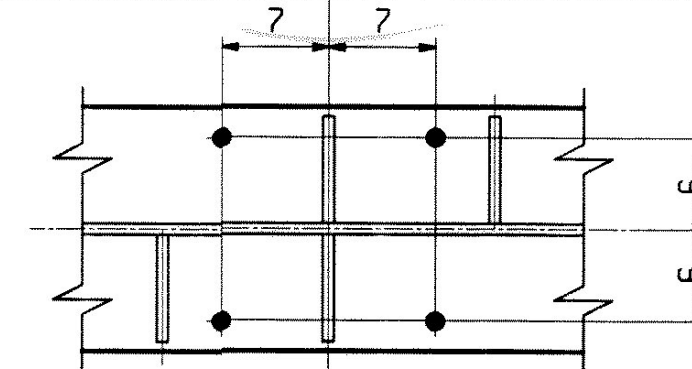
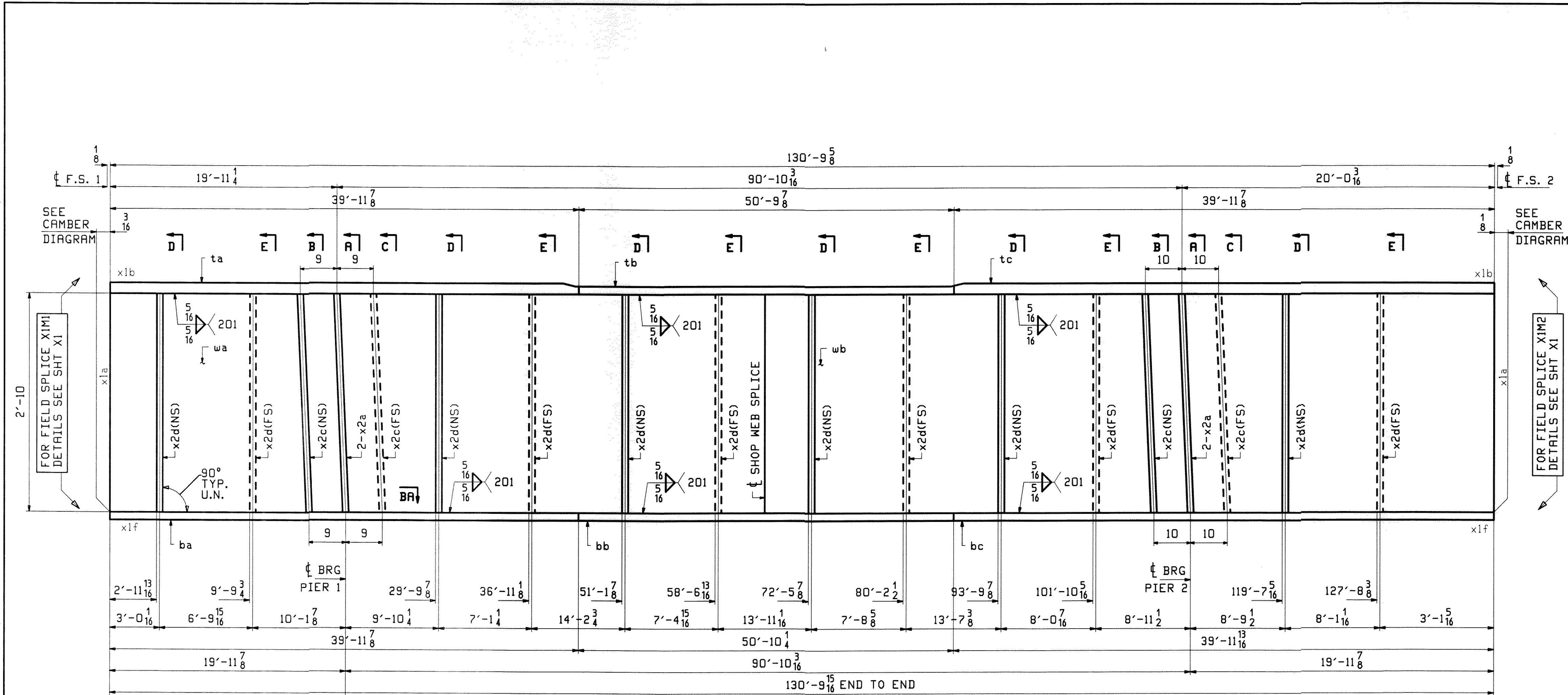
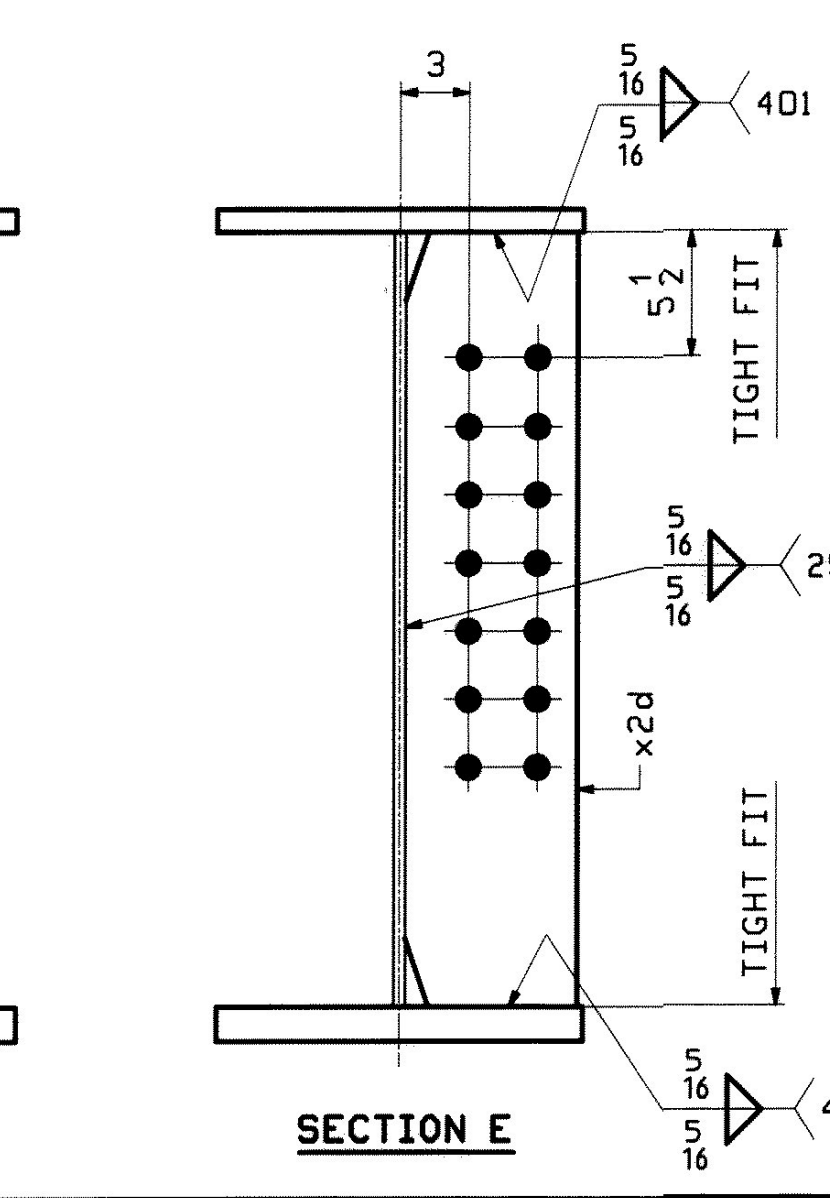
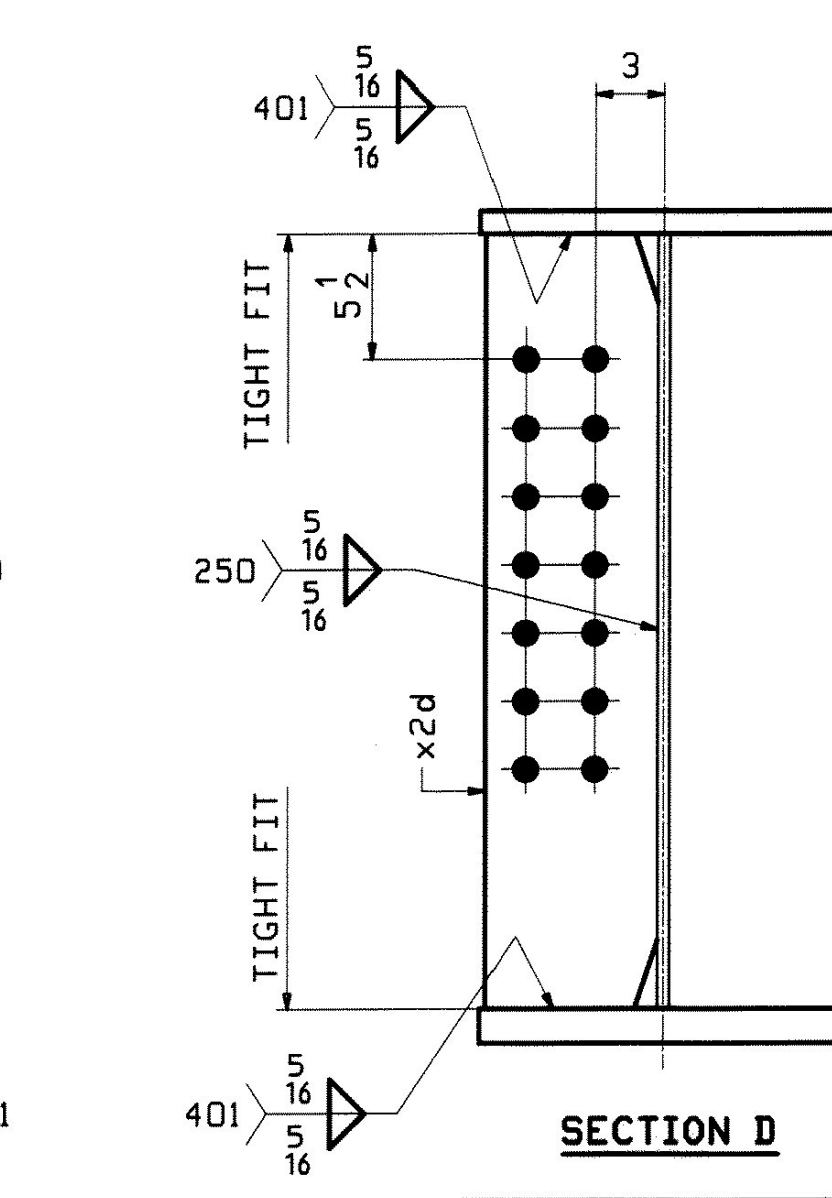
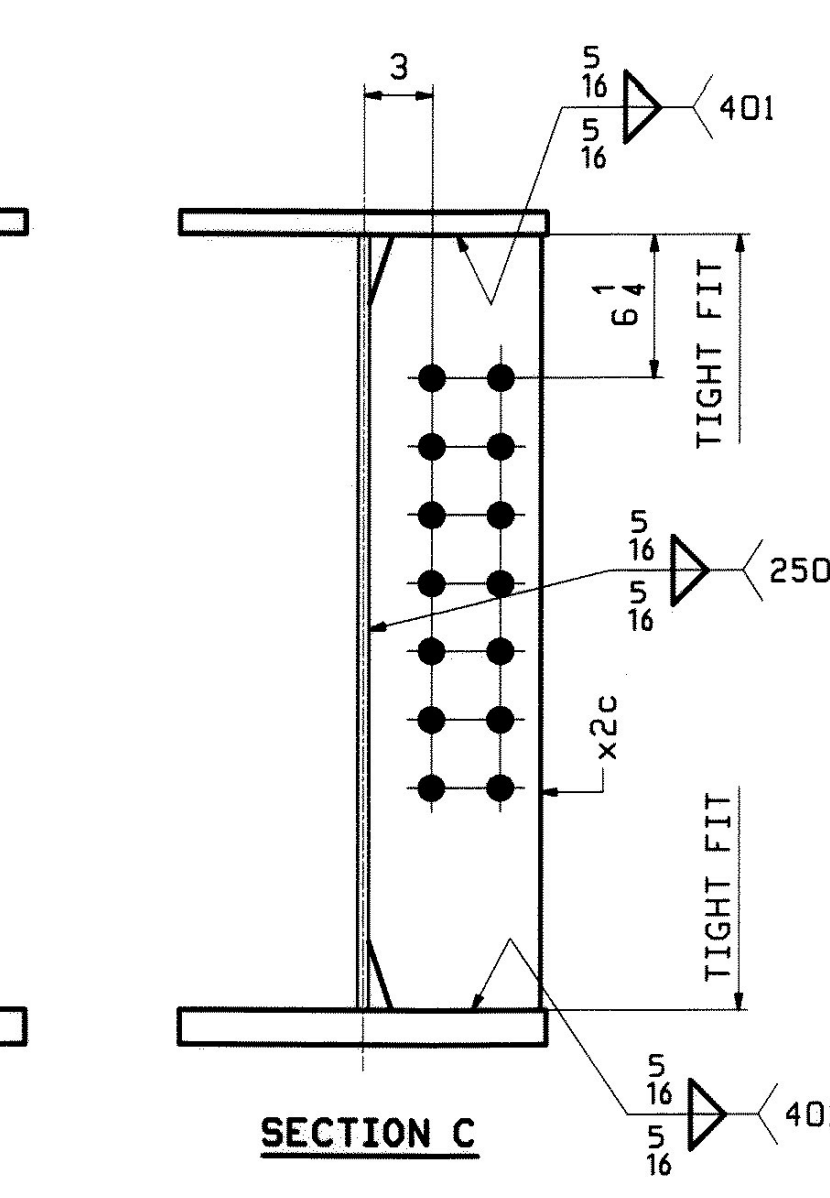
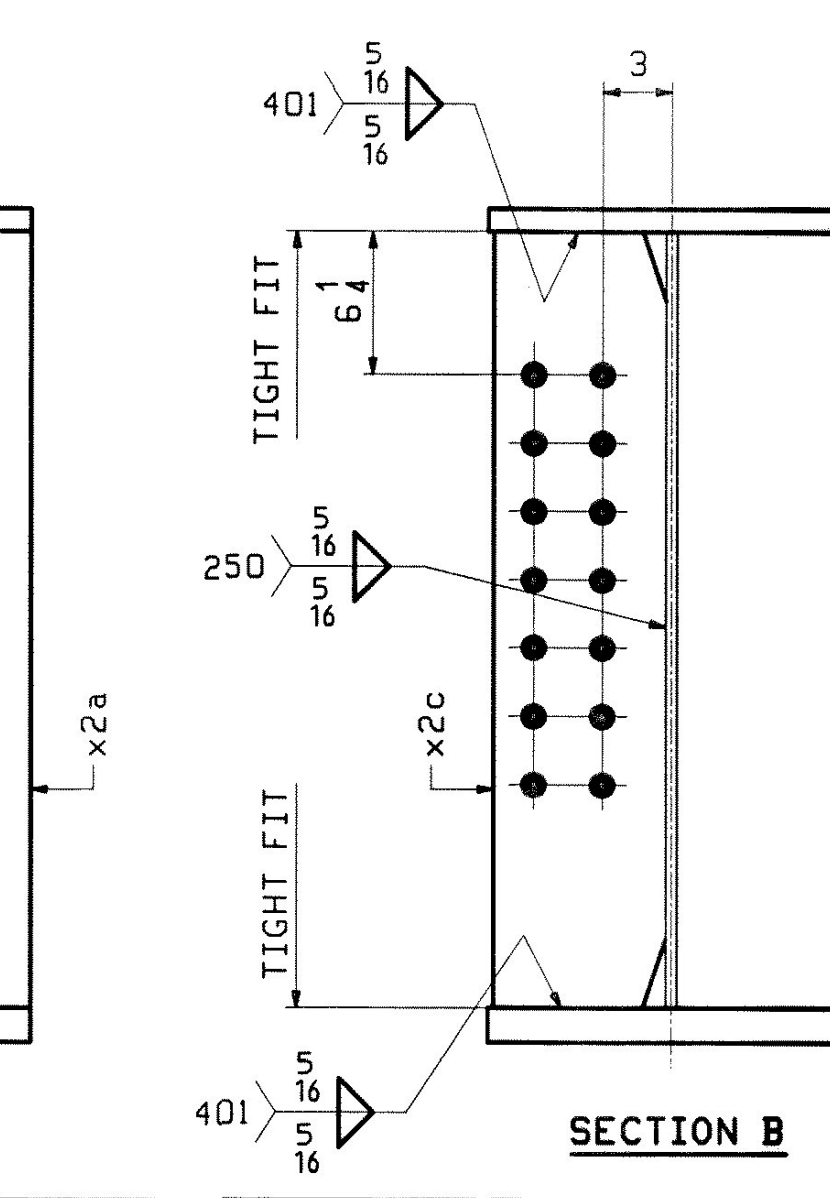
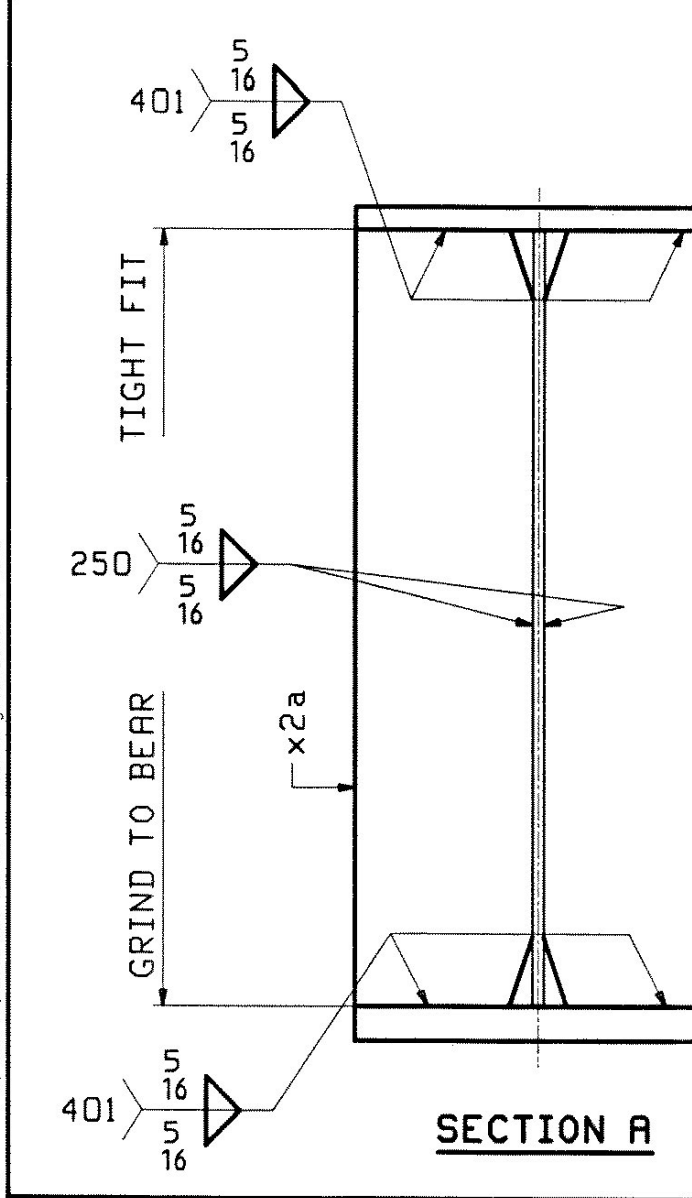
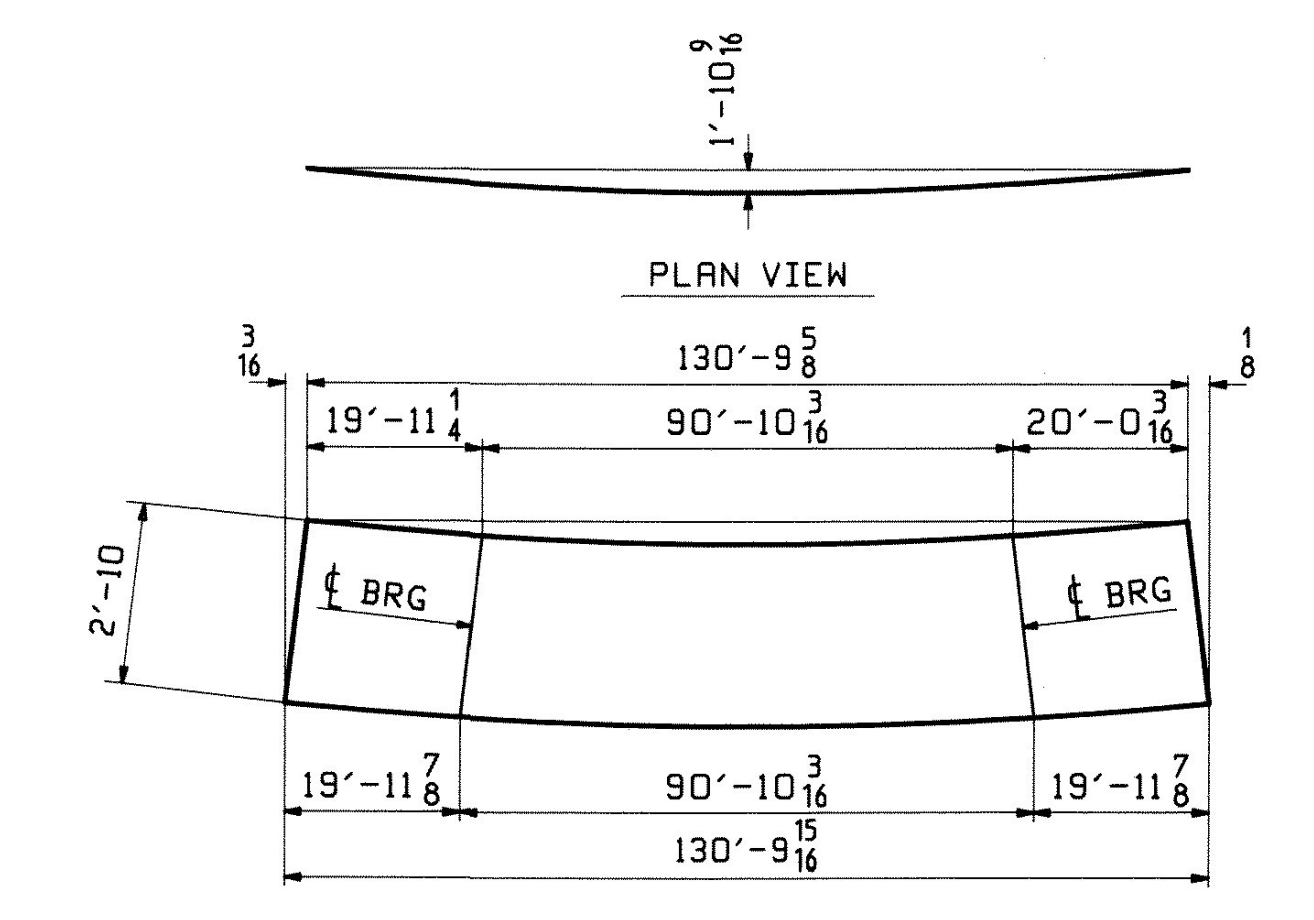


ABM INFO		SHIP				BILL OF MATERIAL		JOB NO.	DRAWING NO.	REV.
PAGE	LINE	MARK	QTY	MARK	MATERIAL	LENGTH FT	INCHES	REMARKS	MT	PROCUREMENT NOTES
		7G2B	1		GIRDER				2839B	
4	U		1	wa	PL 1/2 x 3/4	62	5 15/16	M270-50WT2		
4	A		1	wb	PL 1/2 x 3/4	68	4 8	M270-50WT2		
2	L		1	ta	PL 1/2 x 1/8	39	11 7/8	M270-50WT2		
3	E		1	tb	PL 1/2 x 1/8	50	9 7/8	M270-50WT2		
2	L		1	tc	PL 1/2 x 1/8	39	11 7/8	M270-50WT2		
2	L		1	ba	PL 1/2 x 1/8	39	11 7/8	M270-50WT2		
1	S		1	bb	PL 1/2 x 1/8	50	10 4	M270-50WT2		
2	L		1	bc	PL 1/2 x 1/8	39	11 7/8	M270-50WT2		
6	K		4	x2a	PL 7/8 x 7/8	2	10	MIC		
6	L		4	x2c	PL 1/2 x 7/8	2	10			
6	L		12	x2d	PL 1/2 x 7/8	2	10			



ONE - GIRDER - 7G2B (DEV)

FOR FIELD SPLICE & STANDARD DETAILS SEE X SHEETS
 FOR CAMBER DIAGRAM SEE SHEET C1
 FOR FLANGE DIAGRAM SEE SHEET F2
 FOR GENERAL NOTES SEE SHEET GN1



REV.	DATE	REMARKS	DWN	CHK	APVL	SHOP
0						
MATERIAL:		M270-50W (UN)	SURFACE PREP. & PAINT:		SEE GNI	SHOP BOLTS:
DESCRIPTION:		GIRDER - 7G2B		HOLES:		15/16" Ø U.N.
CASCO BAY STEEL STRUCTURES, INC.		75 SPRING HILL ROAD		SACO, MAINE 04072		PHONE (207) 282-7360
PHONE (207) 282-7360		FAX (207) 282-1179		TENSOR 2945		
STRUCTURE:		U.S. 5 over I-91		DRAWN:		DATE:
Bridge No. 19A		Putney		WJF		01/11
County of Windham				CHKD:		DATE:
				DO		01/13
LOCATION:		Putney		JOB NO.		DWG NO.
PROJ NO. IM 091-(31)				438		7
CUSTOMER: VT AOT						REV. Δ

DATE: 2/9/10
 SIGNATURE: [Signature]