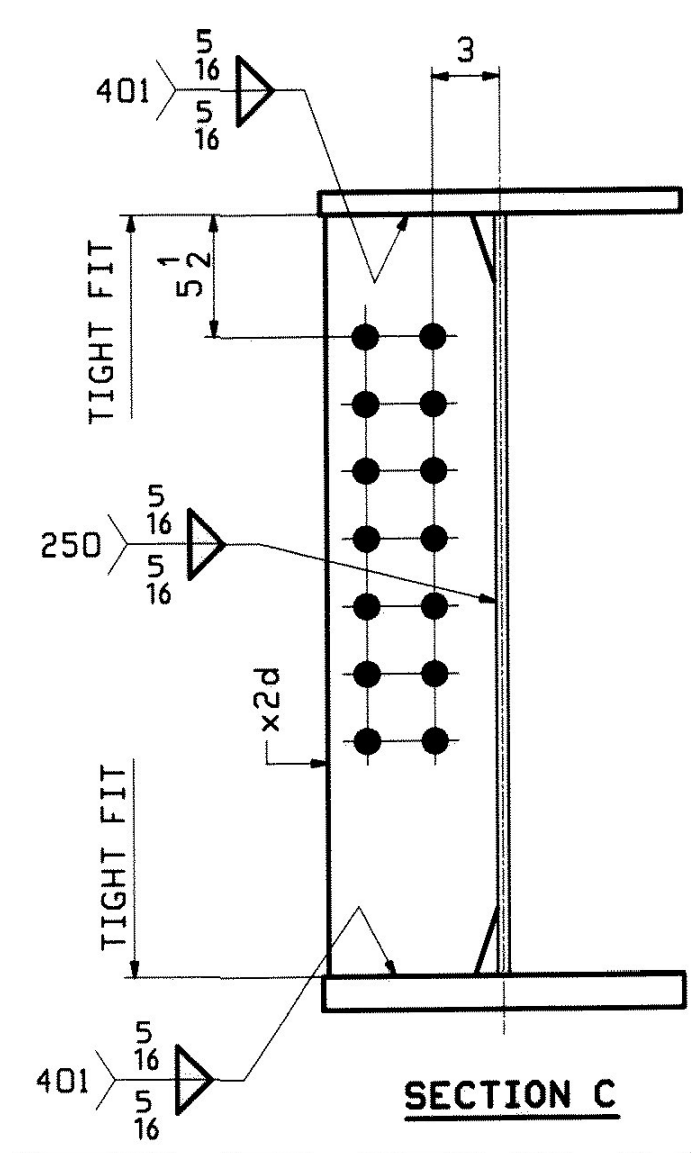
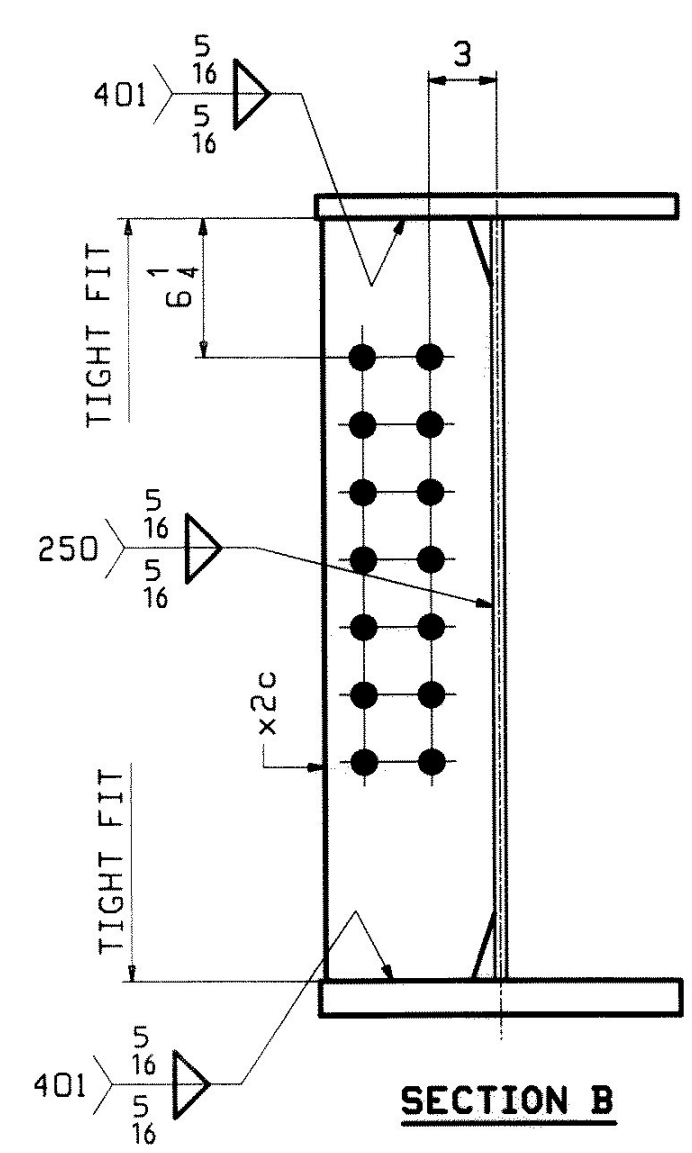
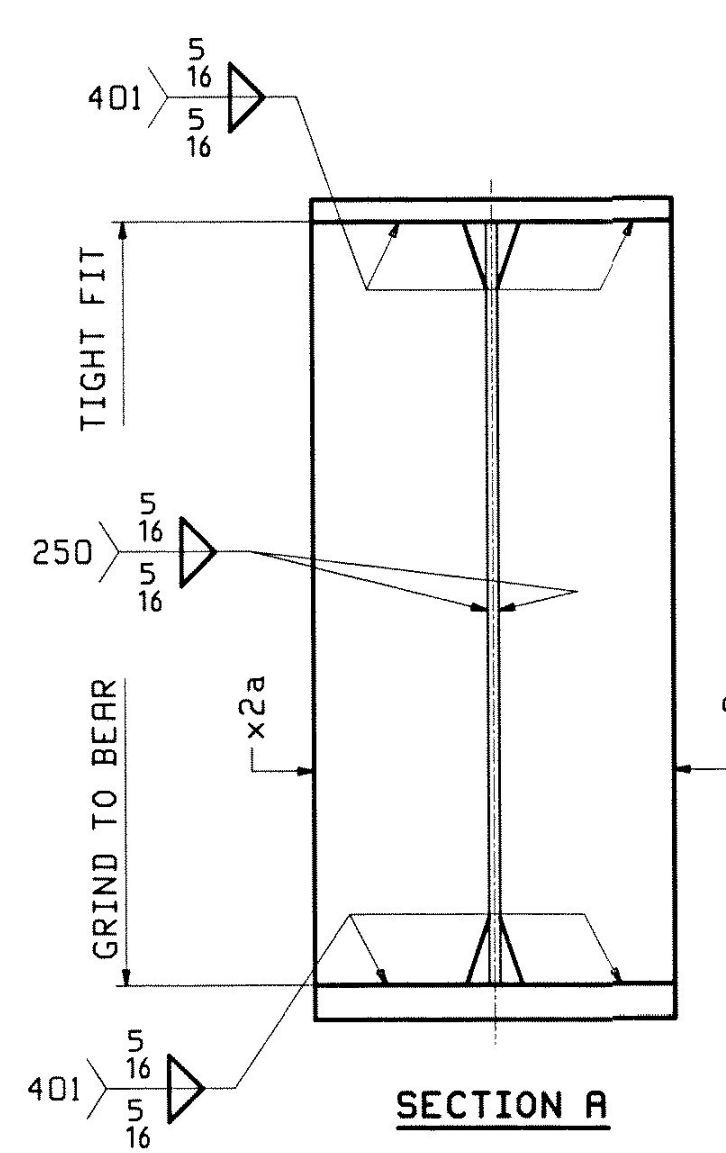
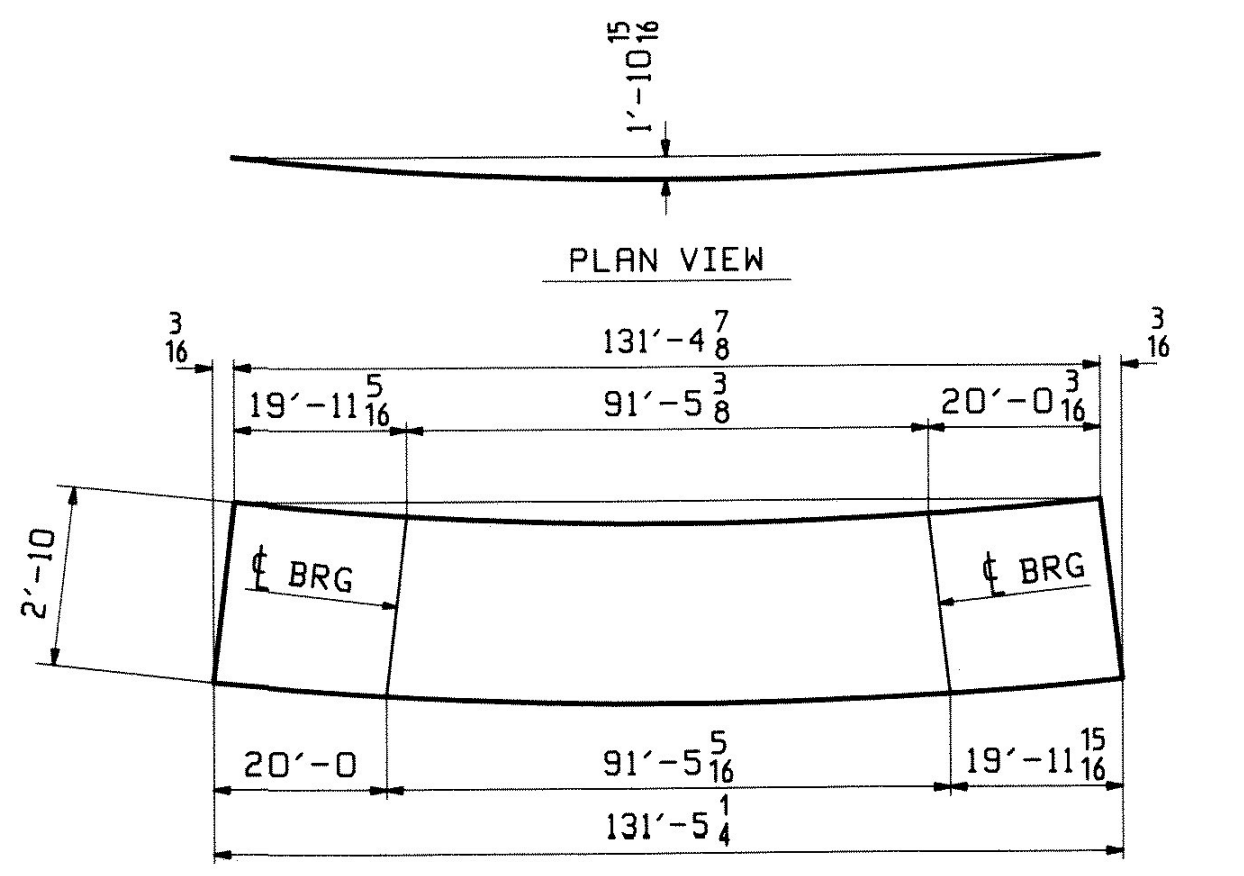
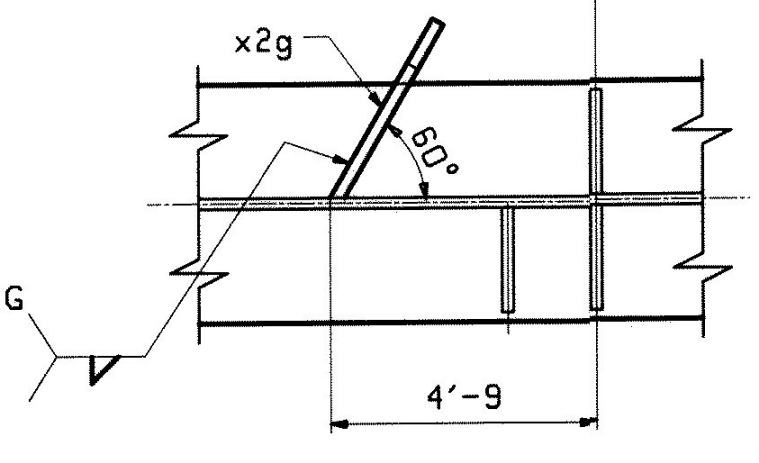


**ONE - GIRDER - 6G1B (DEV)**

FOR FIELD SPLICE & STANDARD DETAILS SEE X SHEETS  
FOR CAMBER DIAGRAM SEE SHEET C1  
FOR FLANGE DIAGRAM SEE SHEET F2  
FOR GENERAL NOTES SEE SHEET GNI

TIGHT FIT TO FLG WITH SEAL WELD (TYP 401)



JOB NO.		DRAWING NO.		REV.					
438		6							
ARM INFO	SHIP	MARK	QTY	MARK	MATERIAL	LENGTH FT INCHES	REMARKS	WT	PROCUREMENT NOTES
	6G1B		1		GIRDER				2822B
4	U		1	wa	PL 1/2 x 34	62 5/16	x270-SQHT2		
3	Y		1	wb	PL 1/2 x 34	68 11/16	x270-SQHT2		
2	L		1	ta	PL 1 1/2 x 16	39 11/8	x270-SQHT2		
3	C		1	tb	PL 1 x 16	51 5/8	x270-SQHT2		
2	L		1	tc	PL 1 1/2 x 16	39 11/8	x270-SQHT2		
2	L		1	ba	PL 1 1/2 x 16	39 11/8	x270-SQHT2		
1	Q		1	bb	PL 1 1/2 x 16	51 5/8	x270-SQHT2		
2	L		1	bc	PL 1 1/2 x 16	39 11/8	x270-SQHT2		
6	K		4	x2a	PL 7/8 x 7 1/2	2 10	NIE		
6	L		2	x2c	PL 1 1/2 x 7 1/2	2 10			
6	L		6	x2d	PL 1 1/2 x 7 1/2	2 10			
6	N		2	x2g	PL 1/4 x 3 1/2	0 11 1/8			

REV.	DATE	REMARKS	DWN	CHK	APVL	SHOP
0						
MATERIAL:		SURFACE PREP. & PAINT:		HOLES:		SHOP BOLTS:
M270-50W (UN)		SEE GNI		15/16" Ø U.N.		NONE
DESCRIPTION: GIRDER - 6G1B						
CASCO BAY STEEL STRUCTURES, INC. 75 SPRING HILL ROAD SACO, MAINE 04072 PHONE (207) 282-7360 FAX. (207) 282-1179						
STRUCTURE: U.S. 5 over I-91 Bridge No. 19A Putney County of Windham			DRAWN: WJF CHKD: DO		DATE: 01/08 01/13	
LOCATION: Putney			JOB NO. 438		DWG NO. 6	
PROJ NO. IM 091-(131)					REV. 6	
CUSTOMER: VT ROT						

DATE: 2/9/10  
SIGNATURE: [Signature]