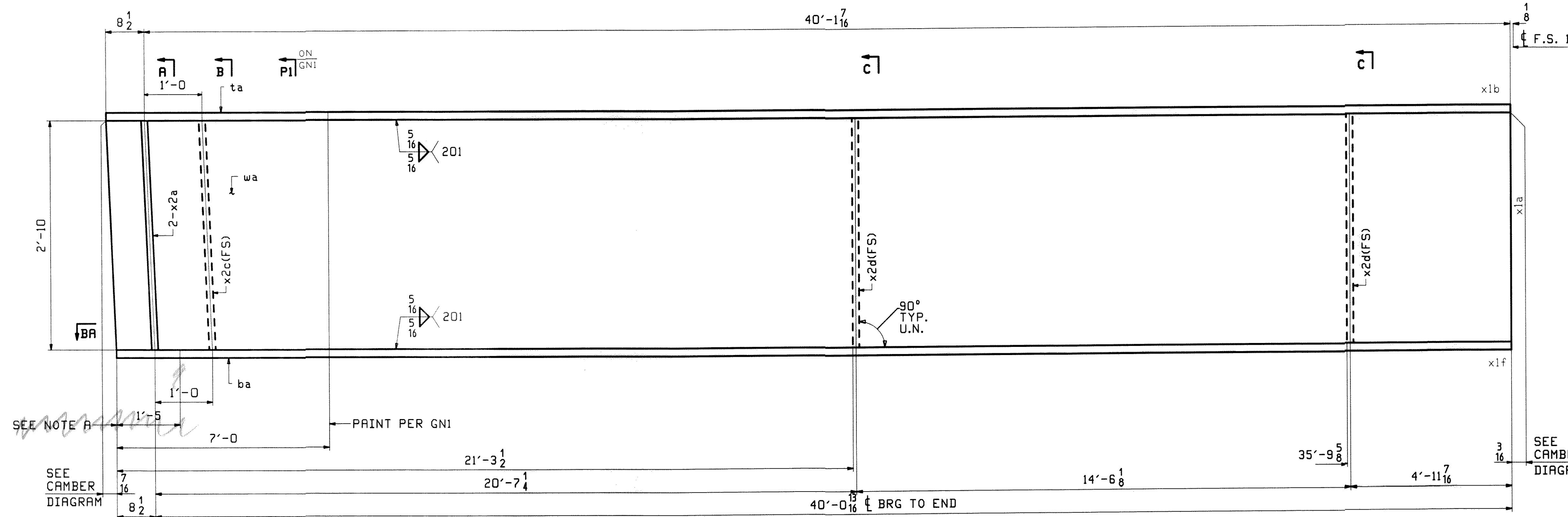
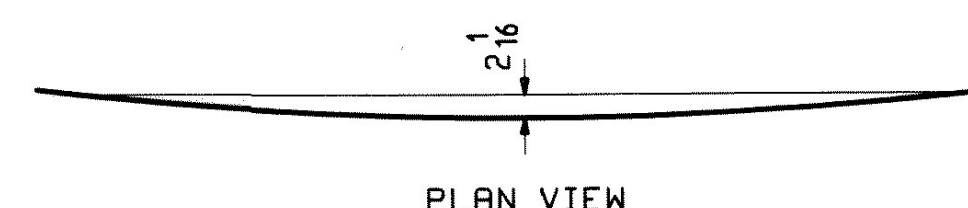


JOB NO.		DRAWING NO.		REV.					
438		5							
PAGE	LINE	MARK	QTY	MARK	MATERIAL	LENGTH FT INCHES	REMARKS	WT	PROCUREMENT NOTES
		5G5A	1		GIRDER			8154	
5	U		1	wa	PL 1/2 x 34	40 9 15	M270-50WT2		
3	W		1	ta	PL 1 x 15	40 9 15	M270-50WT2		
2	J		1	ba	PL 1 1/2 x 15	40 9 15	M270-50WT2		
6	K		2	x2a	PL 7/8 x 7 1/2	2 10	MIE		
6	L		1	x2c	PL 1/2 x 7 1/2	2 10			
6	L		2	x2d	PL 1/2 x 7 1/2	2 10			

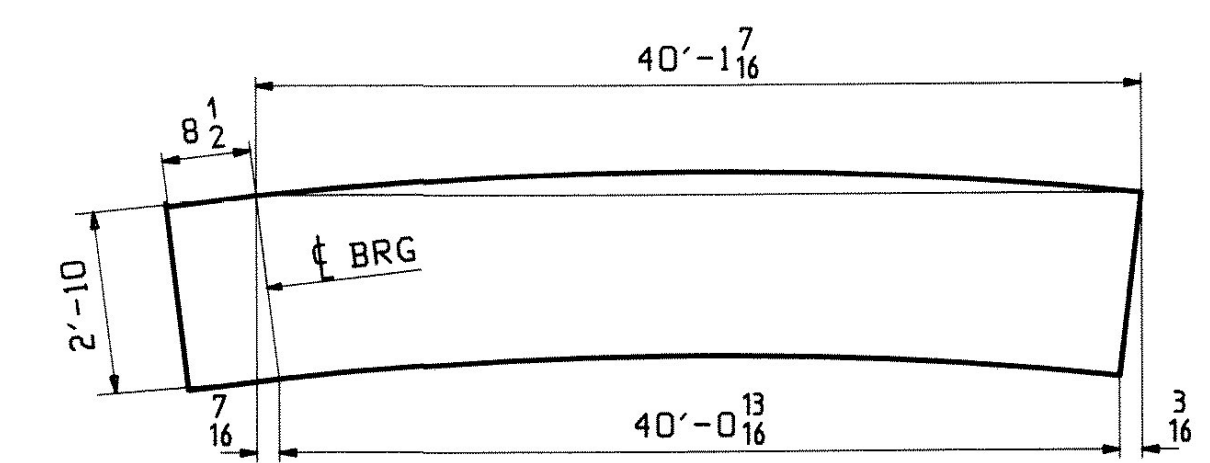


FOR FIELD SPLICE XIMI
DETAILS SEE SHT XI

SEE CAMBER
DIAGRAM



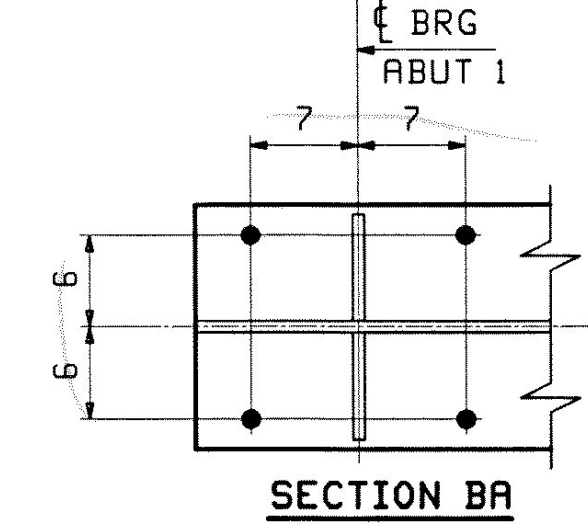
PLAN VIEW



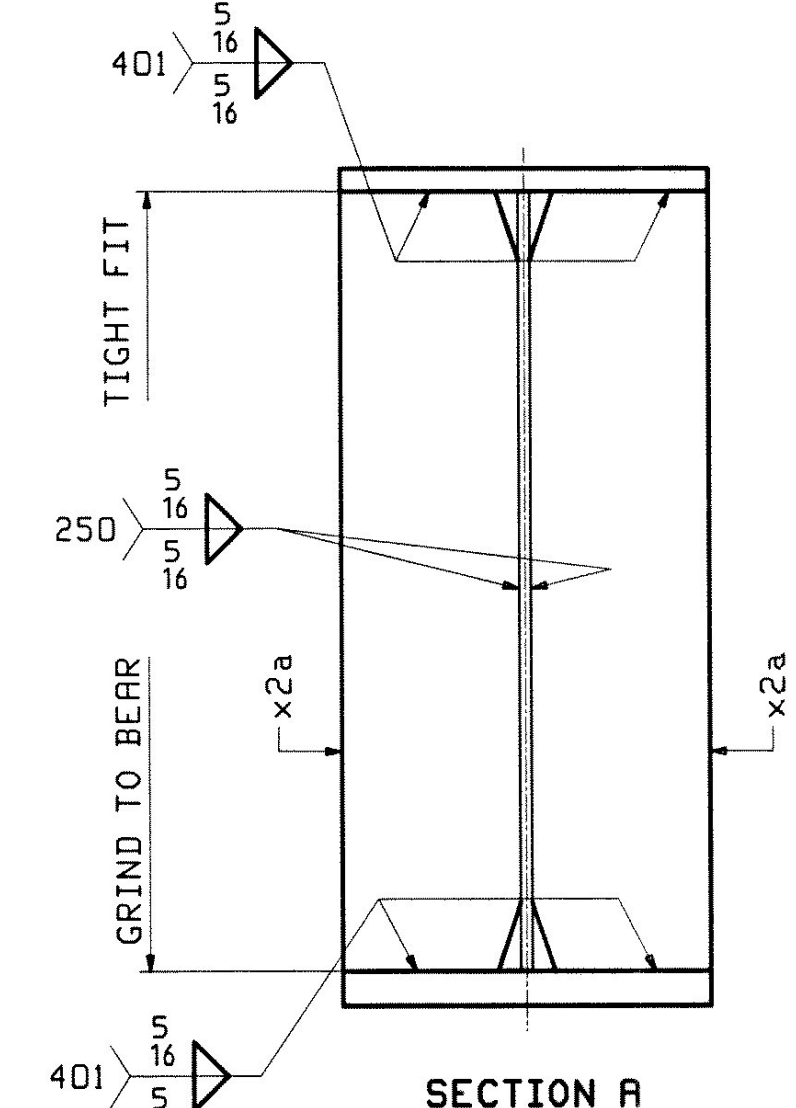
DEV. ORIENTATION DIAGRAM

ONE - GIRDER - 5G5A (DEV)

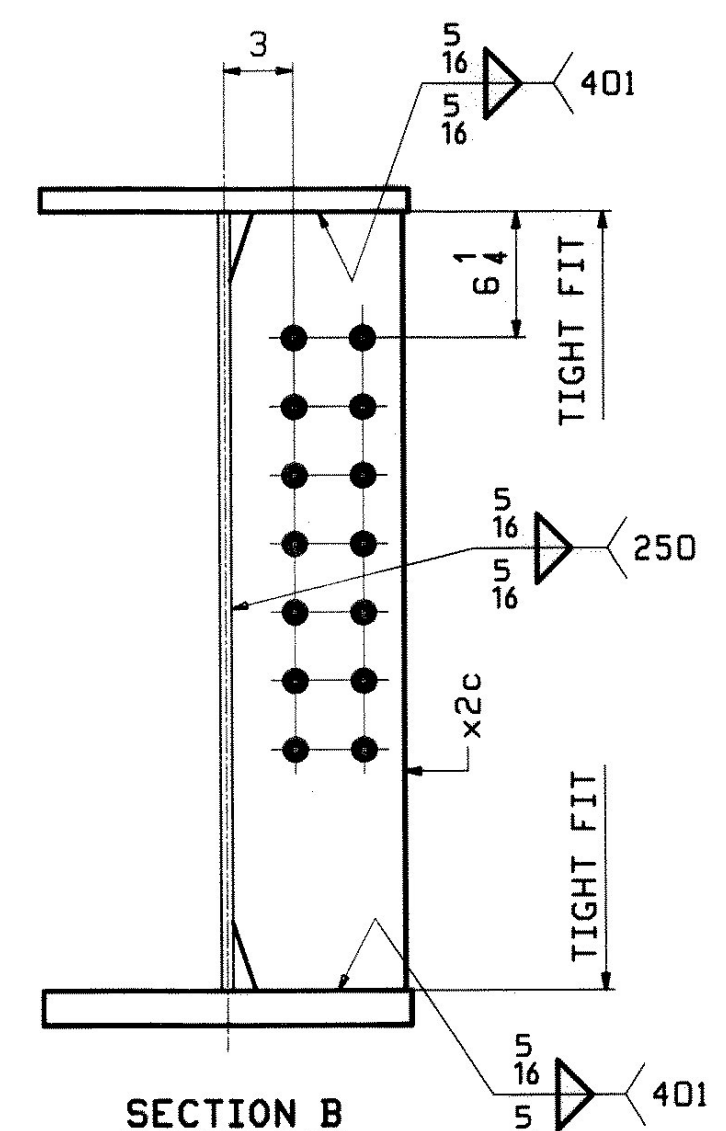
FOR FIELD SPLICE & STANDARD DETAILS SEE X SHEETS
FOR CAMBER DIAGRAM SEE SHEET C1
FOR FLANGE DIAGRAM SEE SHEET F1
FOR GENERAL NOTES SEE SHEET GN1



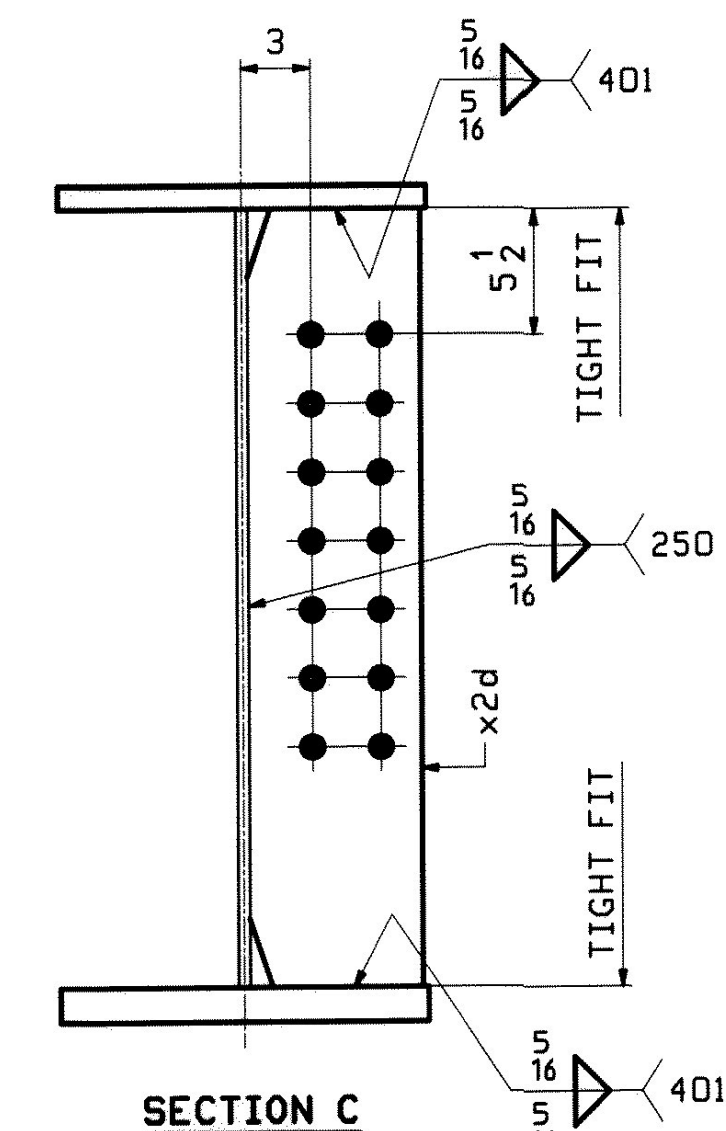
SECTION BA



SECTION A



SECTION B



SECTION C

NOTE A:
NO PAINT BOTTOM AND EDGES OF BOTTOM FLANGE.

DATE: 2/9/10
DRAWN: [Signature]
CHECKED: [Signature]

REV.	DATE	REMARKS	DNW	CHK	APVL	SHOP
0						
MATERIAL:		SURFACE PREP. & PAINT:		HOLES:		SHOP BOLTS:
M270-50W (UN)		SEE GN1		15/16" Ø U.N.		NONE
DESCRIPTION: GIRDER - 5G5A						
CASCO BAY STEEL STRUCTURES, INC.						
75 SPRING HILL ROAD			SACO, MAINE 04072			
PHONE (207) 282-7360			FAX. (207) 282-1179			
STRUCTURE:	U.S. 5 over I-91			DRAWN:	DATE:	
	Bridge No. 19A			WJF	01/08	
	Putney			CHKD:	DATE:	
	County of Windham			DO	01/13	
LOCATION:	Putney			JOB NO.	DWG NO.	
PROJ. NO.	IM 091-1(31)			438	5	
CUSTOMER:	VT AOT				REV. △	