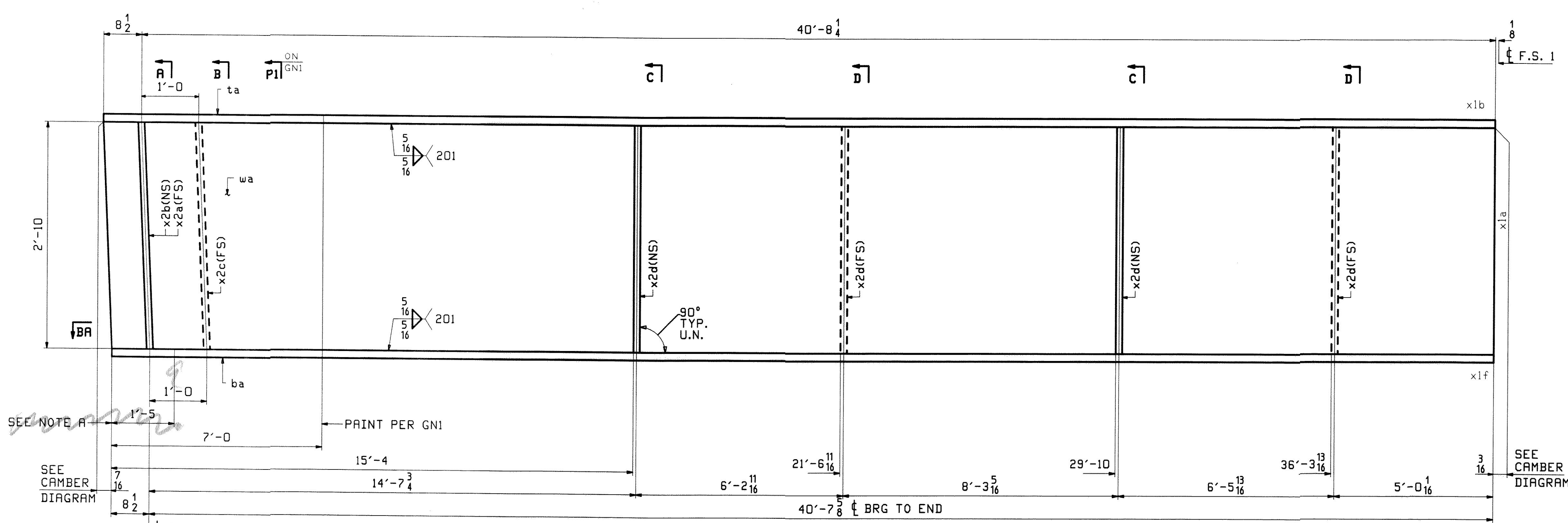
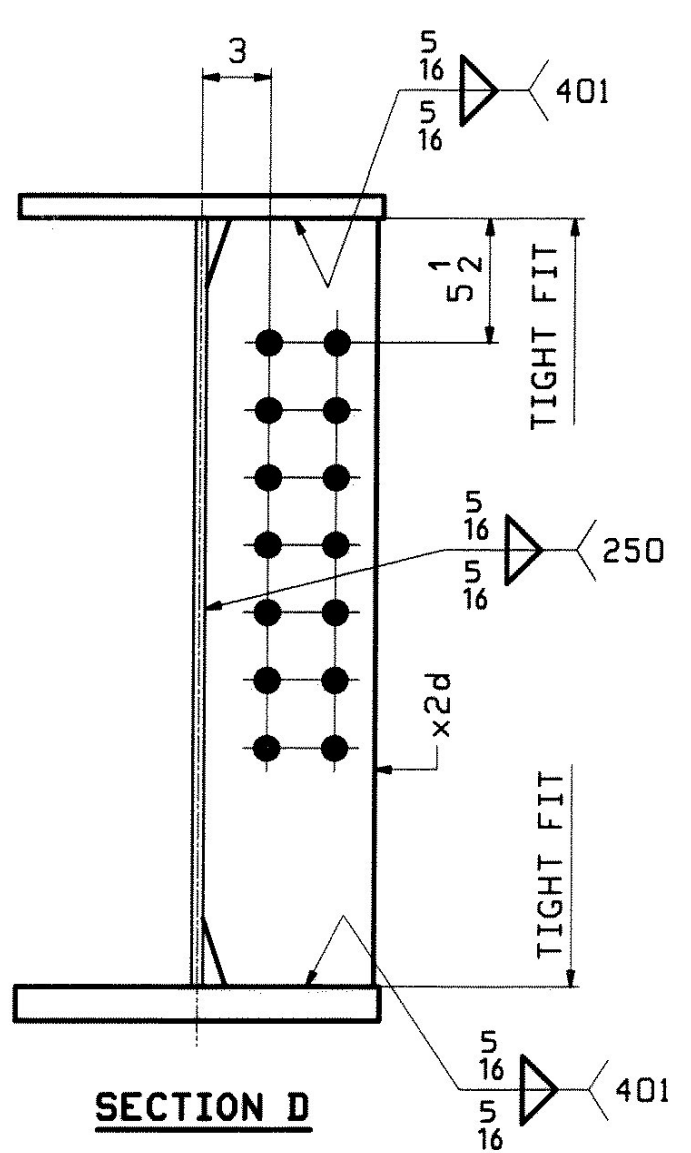
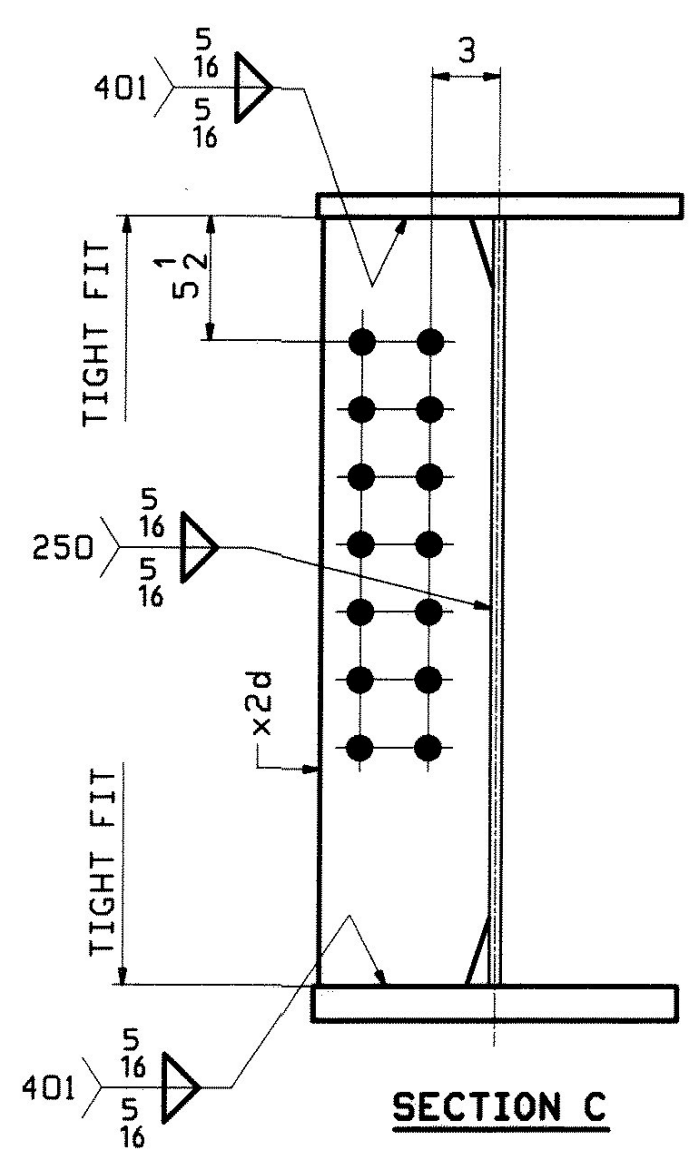
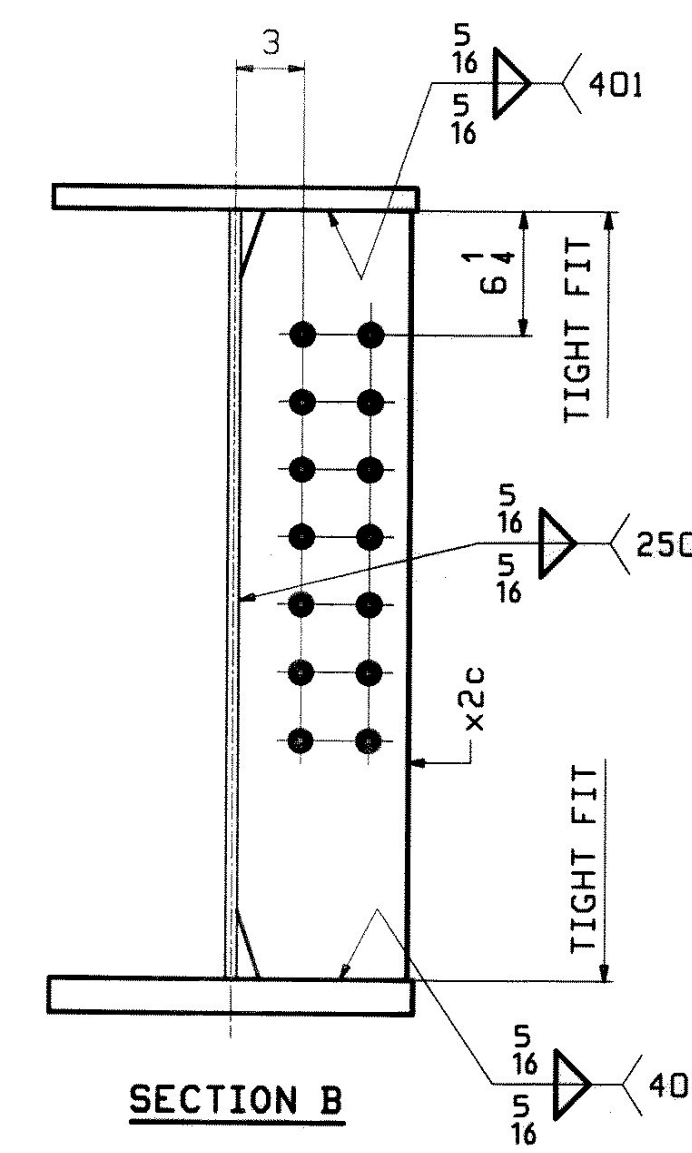
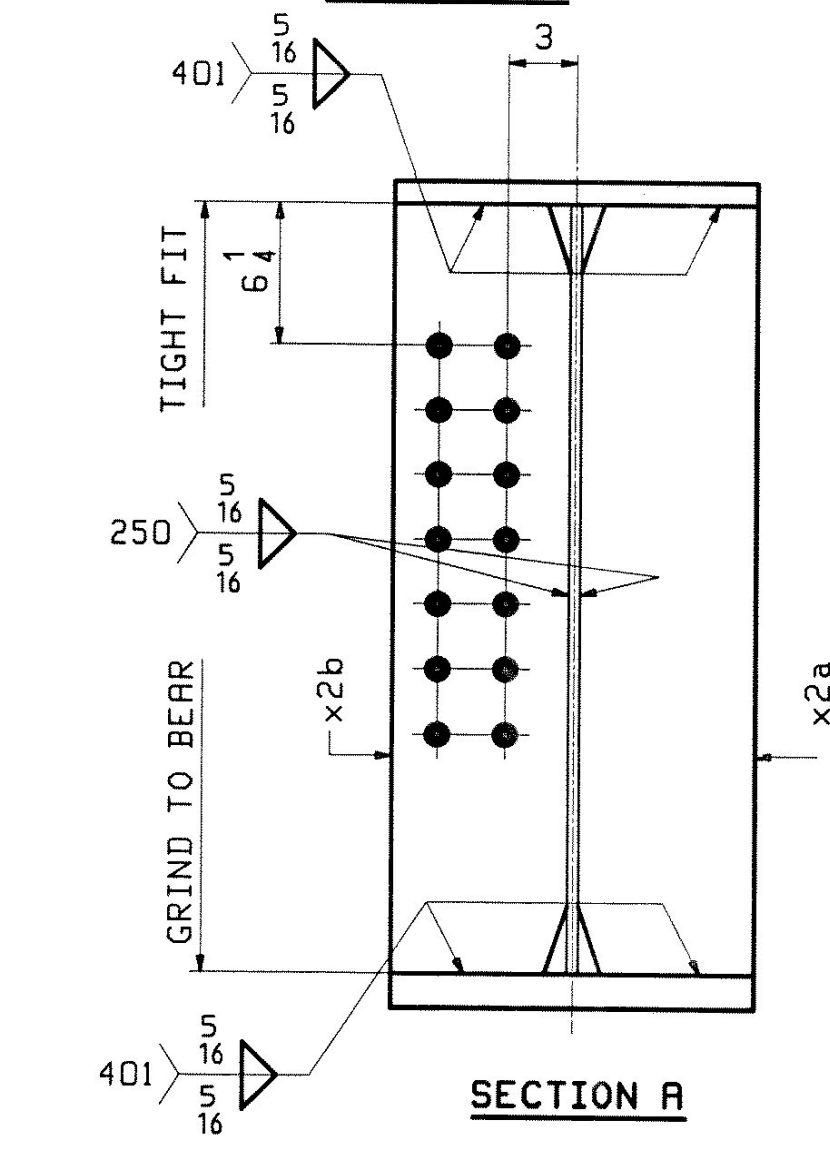
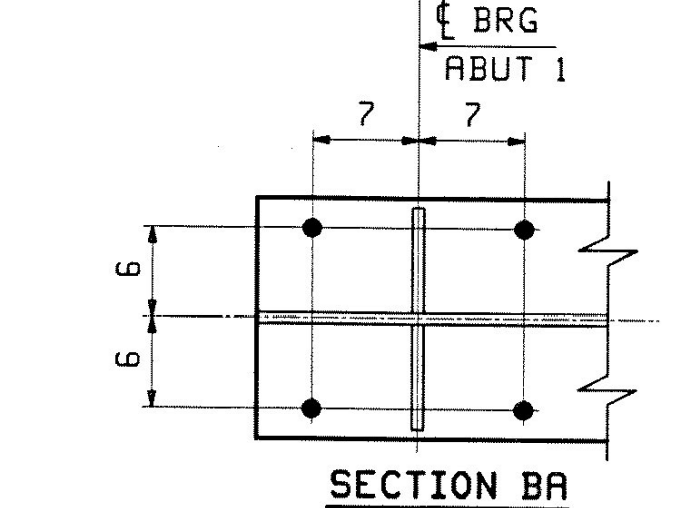


ABM INFO		SHIP	BILL OF MATERIAL			JOB NO.	DRAWING NO.	REV.	
PAGE	LINE	MARK	QTY	MARK	MATERIAL	LENGTH FT INCHES	REMARKS	WT	PROCUREMENT NOTES
		3G3A	1		GIRDER			8336	
5	Q		1	wa	PL 1/2 x 3/4	41'-4 3/4	M270-50MT2		
3	S		1	ta	PL 1 x 1/2	41'-4 3/4	M270-50MT2		
2	E		1	ba	PL 1 1/2 x 1/2	41'-4 3/4	M270-50MT2		
6	K		1	x2a	PL 7/8 x 7 1/4	2'-10	MIE		
6	K		1	x2b	PL 7/8 x 7 1/4	2'-10	MIE		
6	L		1	x2c	PL 2 x 7 1/2	2'-10			
6	L		4	x2d	PL 2 x 7 1/2	2'-10			

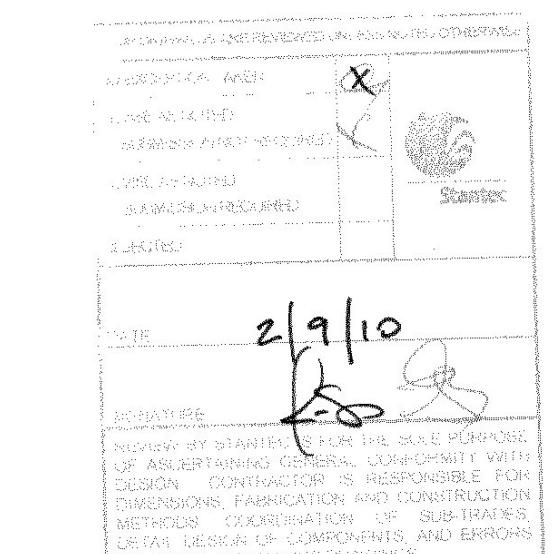
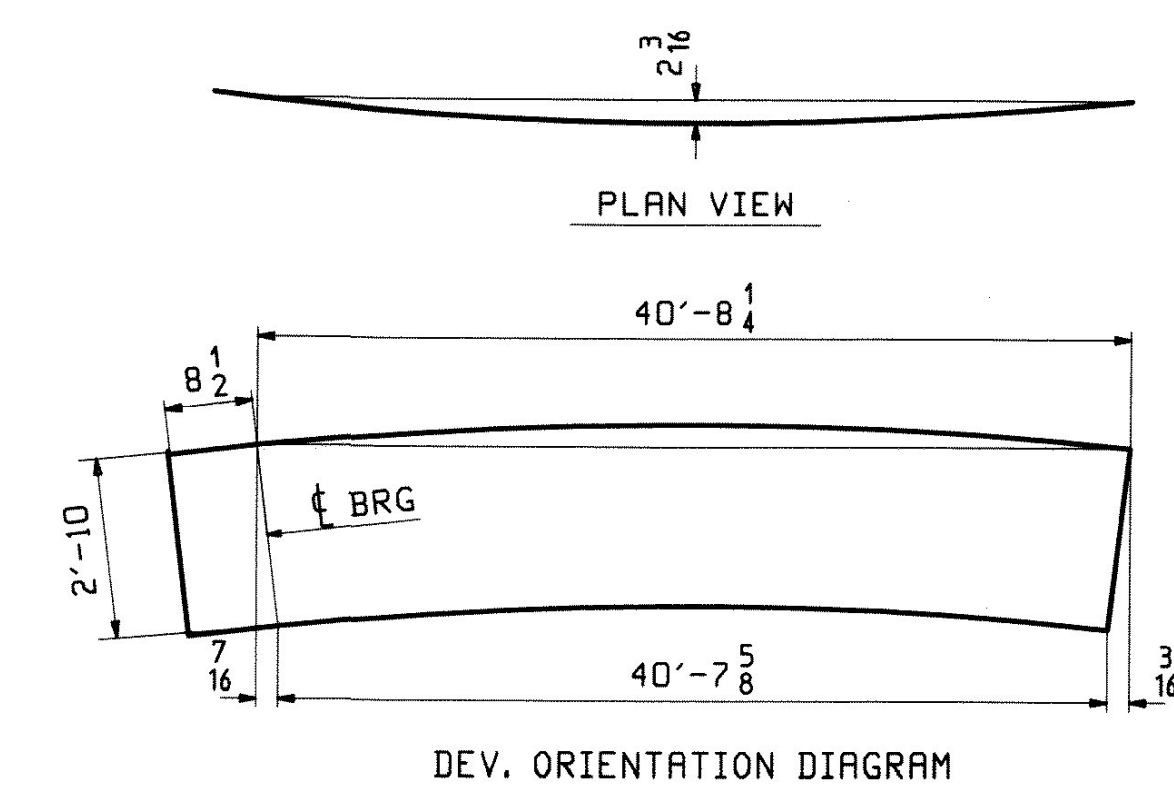


FOR FIELD SPLICE XIMI  
DETAILS SEE SHT XI



**ONE - GIRDER - 3G3A (DEV)**

FOR FIELD SPLICE & STANDARD DETAILS SEE X SHEETS  
FOR CAMBER DIAGRAM SEE SHEET C1  
FOR FLANGE DIAGRAM SEE SHEET F1  
FOR GENERAL NOTES SEE SHEET GNI



NOTE A:  
NO PRINT BOTTOM AND EDGES OF BOTTOM FLANGE.

REV.	DATE	REMARKS	DWN	CHK	APVL	SHOP
0						
MATERIAL:		SURFACE PREP. & PAINT:		HOLES:		SHOP BOLTS:
M270-50W (UN)		SEE GNI		15/16" Ø U.N.		NONE
DESCRIPTION: GIRDER - 3G3A						
CASCO BAY STEEL STRUCTURES, INC. 75 SPRING HILL ROAD SACO, MAINE 04072 PHONE (207) 282-7360 FAX. (207) 282-1179						
STRUCTURE: U.S. 5 over I-91 Bridge No. 19A Putney County of Windham				DRAWN:	DATE:	
				WJF	01/08	
				CHKD:	DATE:	
				DO	01/13	
LOCATION: Putney				JOB NO.		DWG NO.
PROJ NO. IM 091-1(31)				438		3
CUSTOMER: VT ROT						REV. Δ

BRG - F1, Jan 22, 2010 10:57:08 AM C:\Users\jgagnier\My Documents\2845731.Rvt