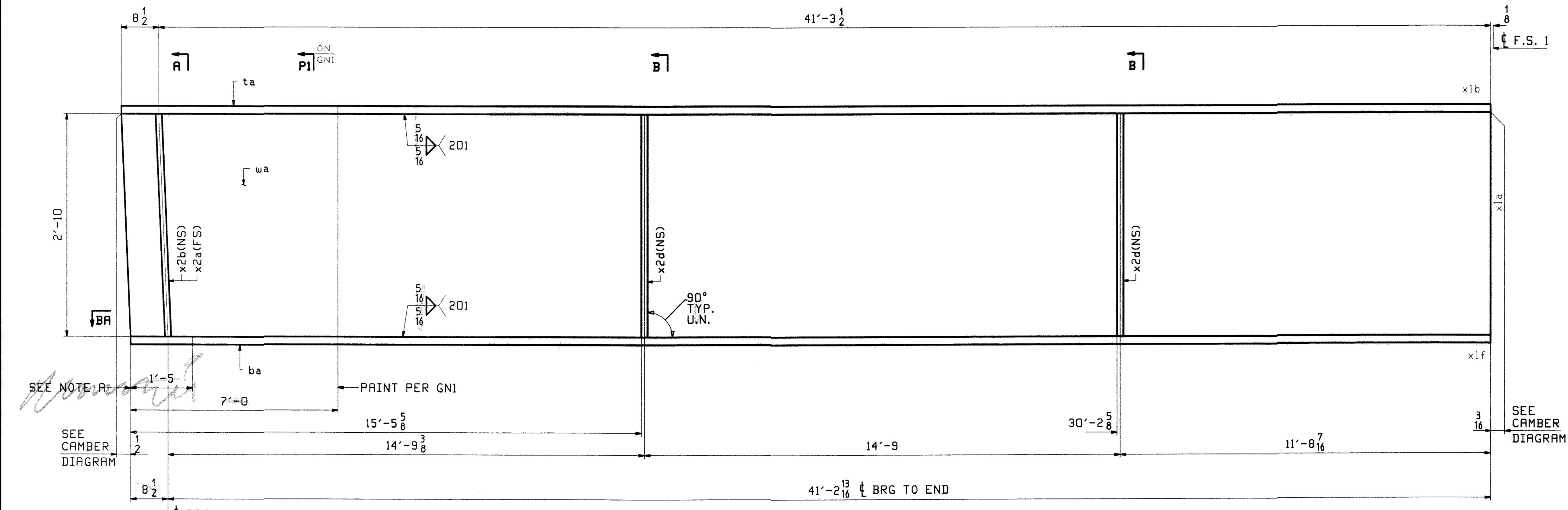


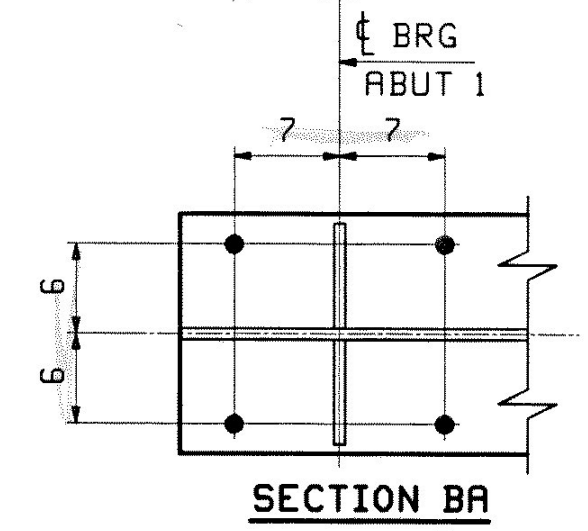
JOB NO.		DRAWING NO.		REV.					
438		1							
PAGE	LINE	MARK	QTY	MARK	MATERIAL	LENGTH FT INCHES	REMARKS	WT	PROCUREMENT NOTES
		IG1A	1		GIRDER				8345
5	L		1	wa	PL $\frac{1}{2}$ x34	42 0	M270-50W12		
3	N		1	ta	PL $\frac{1}{2}$ x16	42 0	M270-50W12		
2	A		1	ba	PL $\frac{1}{2}$ x16	41 11 $\frac{5}{16}$	M270-50W12		
6	K		1	x2a	PL $\frac{7}{8}$ x7 $\frac{3}{4}$	2 10	MIE		
6	K		1	x2b	PL $\frac{7}{8}$ x7 $\frac{3}{4}$	2 10	MIE		
6	L		2	x2d	PL $\frac{1}{2}$ x7 $\frac{1}{2}$	2 10			



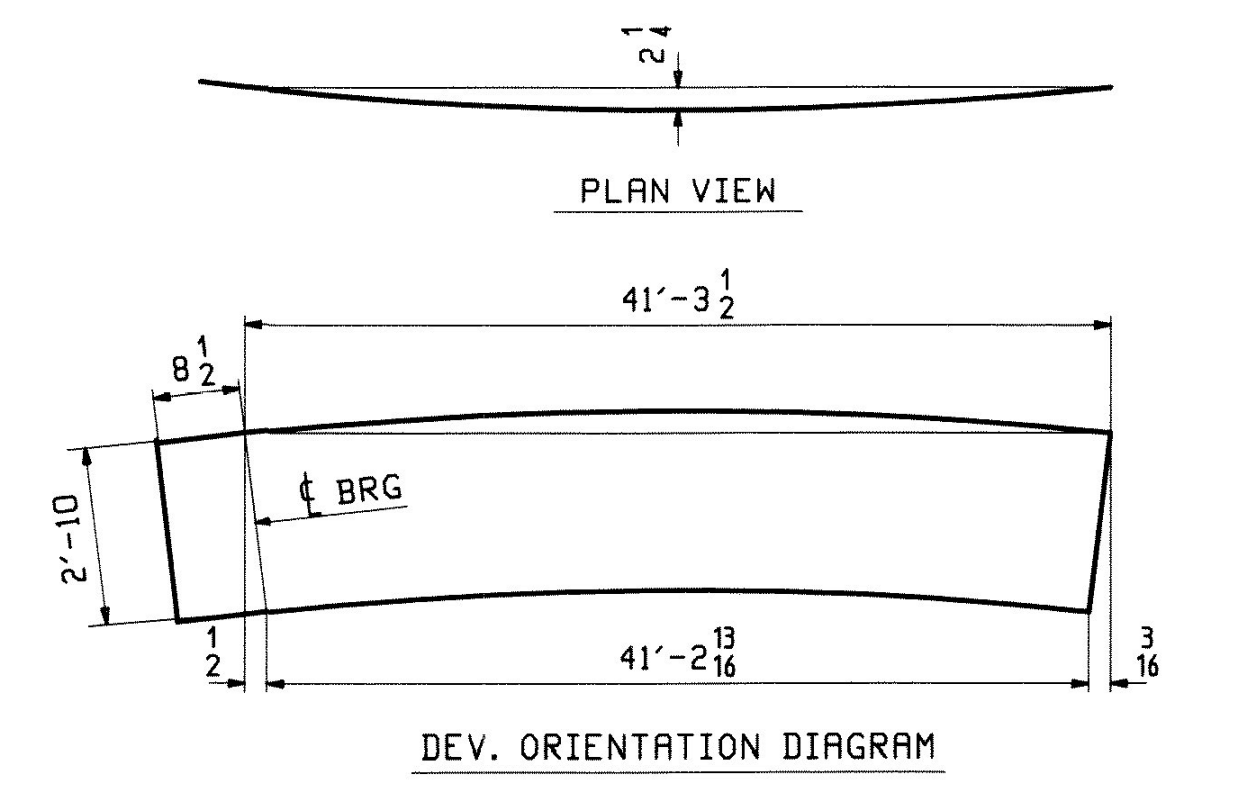
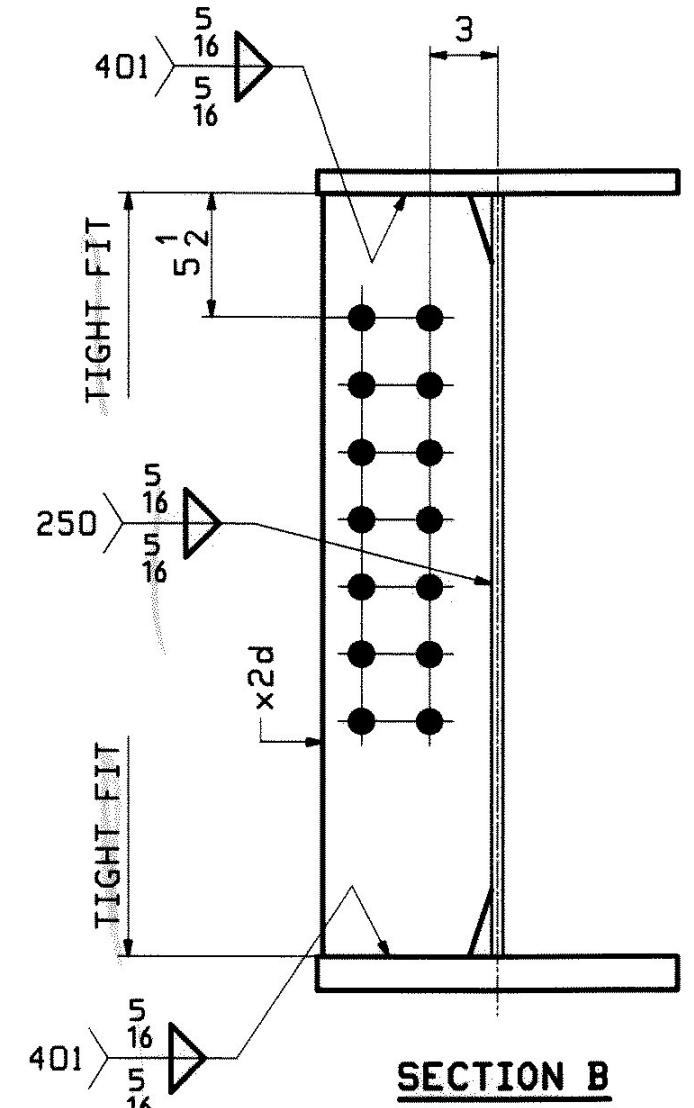
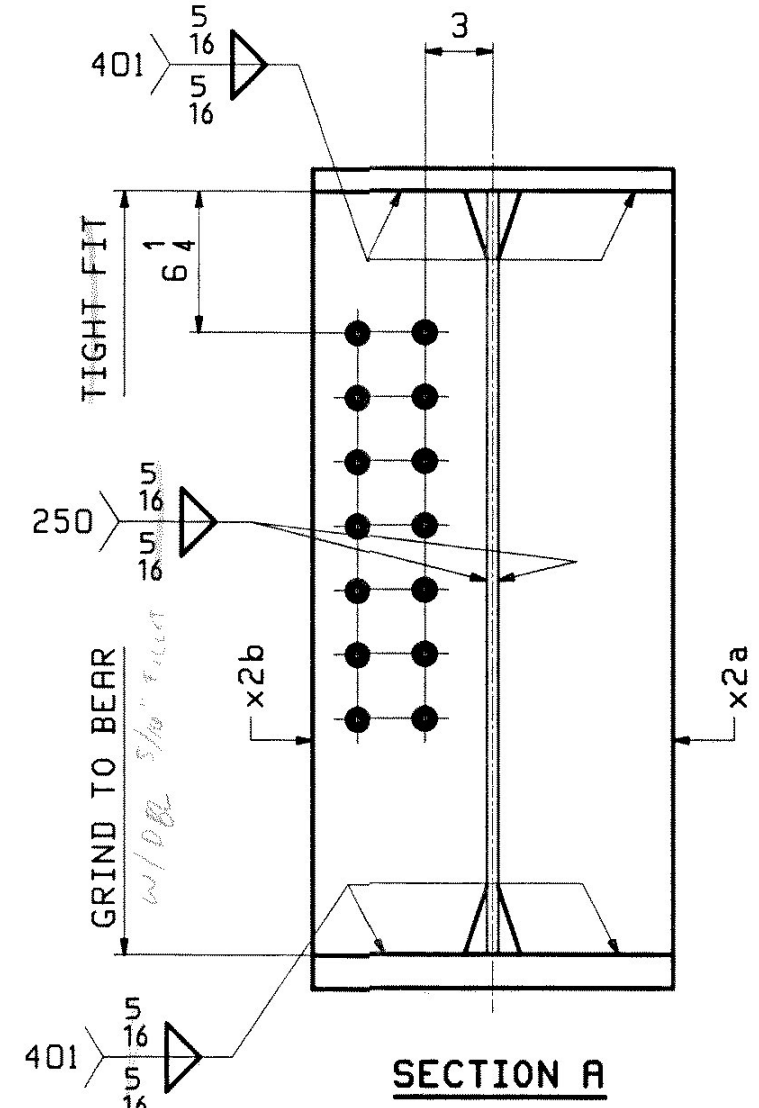
FOR FIELD SPLICE XING
DETAILS SEE SHIT XI

SEE NOTE A
SEE CAMBER
DIAGRAM

SEE
CAMBER
DIAGRAM



ONE - GIRDER - 1G1A (DEV)
 FOR FIELD SPLICE & STANDARD DETAILS SEE X SHEETS
 FOR CAMBER DIAGRAM SEE SHEET C1
 FOR FLANGE DIAGRAM SEE SHEET F1
 FOR GENERAL NOTES SEE SHEET GNI



SHOP DRAWING REVIEWED BY:
 NO EXCEPTIONS NOTED
 REVIEWED BY:
 DATE: 2/9/10
 SIGNATURE: [Signature]

NOTE A:
NO PAINT BOTTOM AND EDGES OF BOTTOM FLANGE.

REV.	DATE	REMARKS	DWN	CHK	APVL	SHOP
0						JAN 23 2010
MATERIAL:		SURFACE PREP. & PAINT:	HOLES:		SHOP BOLTS:	
M270-50W (UN)		SEE GNI	15 16 Ø U.N.		NONE	
DESCRIPTION: GIRDER - 1G1A						
CASCO BAY STEEL STRUCTURES, INC. 75 SPRING HILL ROAD SACO, MAINE 04072 PHONE (207) 282-7360 FAX. (207) 282-1179						
STRUCTURE: U.S. 5 over I-91 Bridge No. 19A Putney County of Windham			DRAWN: WJF CHKD: DO		DATE: 01/08 01/13	
LOCATION: Putney			JOB NO. 438		DWG NO. 1	
PROJ NO. IM 091-1(31)			CUSTOMER: VT ROT		REV. 1	

B3 P75 Jan-02 2008 11:52:02 AM C:\msdplib\2008\11\25\1 Rev.0