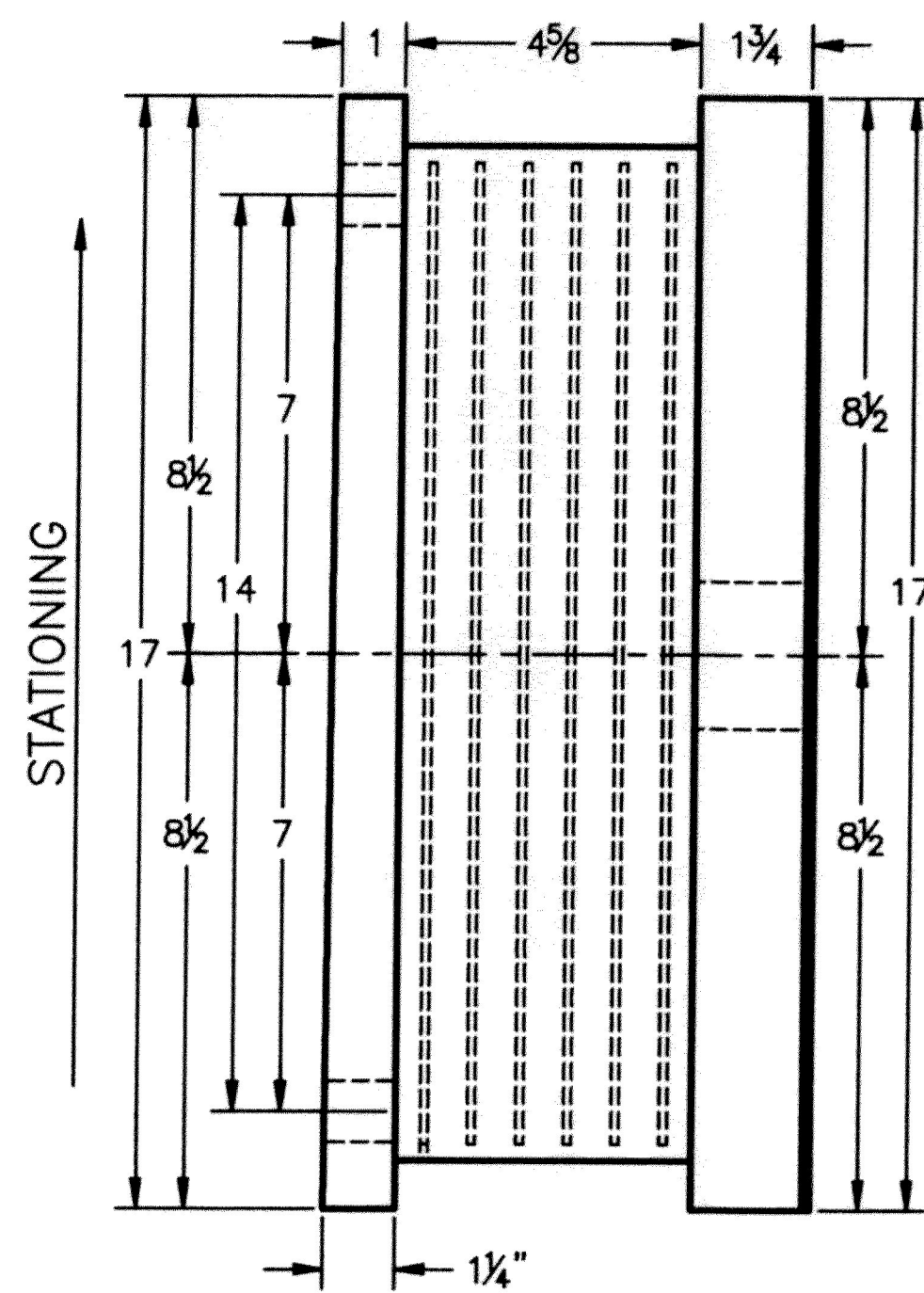
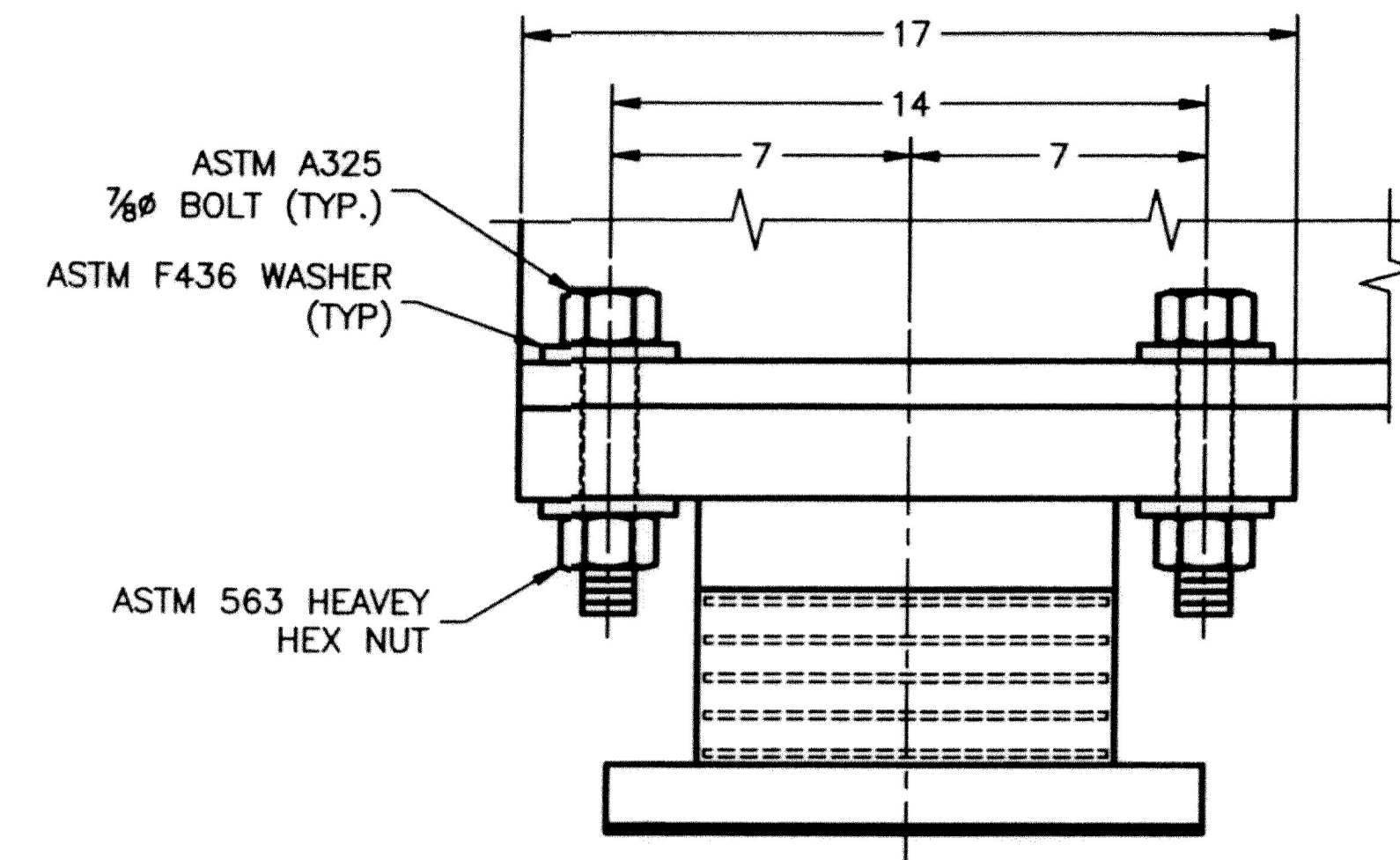


**PLAN VIEW**  
QTY REQ'D = 10 ASSY.  
PIERS 1 & 3

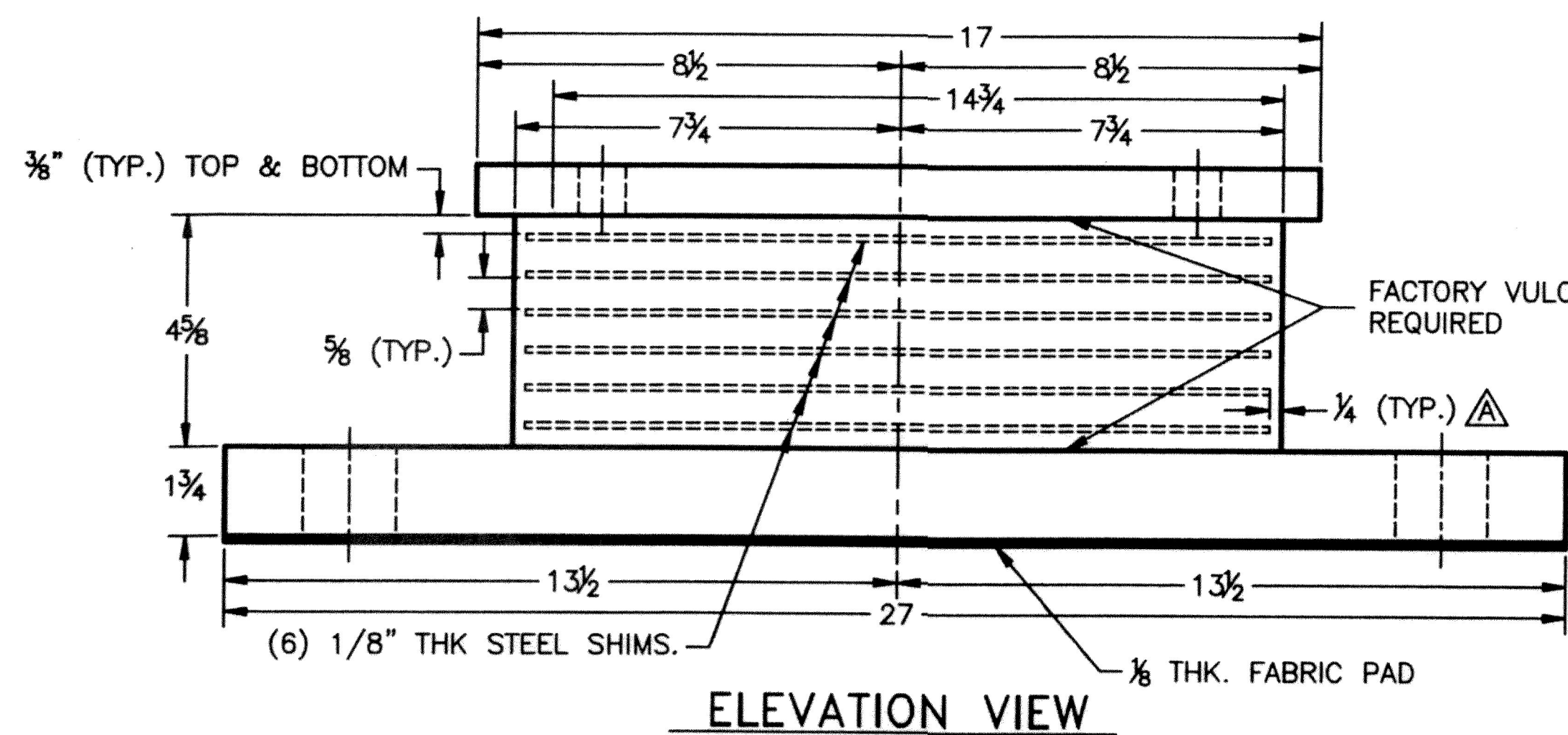


| REVISIONS |     |                     |         |          |
|-----------|-----|---------------------|---------|----------|
| ZONE      | REV | DESCRIPTION         | DATE    | APPROVED |
| --        | A   | PER ENGINEER'S MARK | 2/23/10 | C.A.M.   |

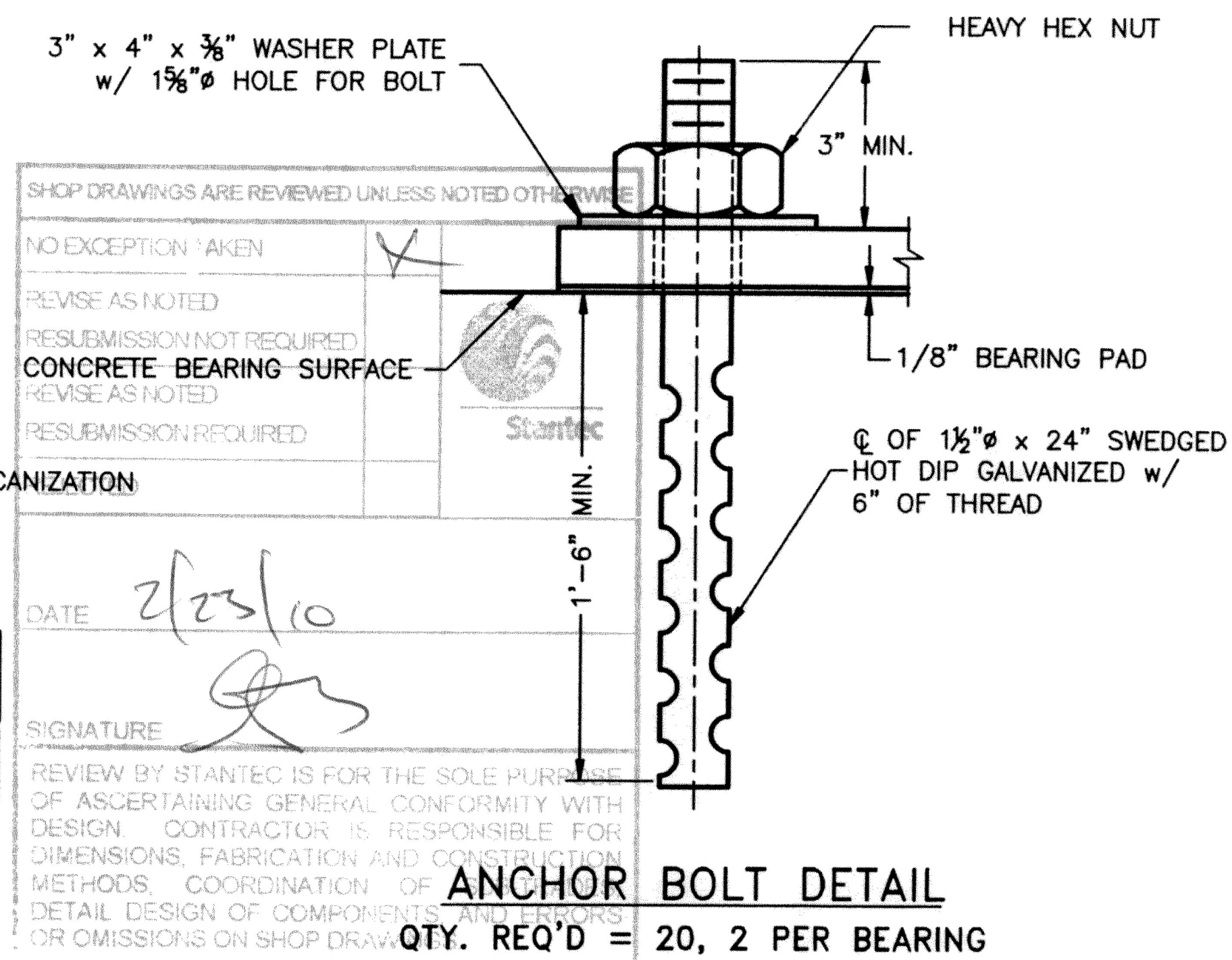


**SOLE PLATE TO FLANGE CONNECTION DETAIL**  
(ALL BEARINGS)

\*\* FOR NOTES SEE SHEET 2 OF 3



**ELEVATION VIEW**



**ANCHOR BOLT DETAIL**  
QTY. REQ'D = 20, 2 PER BEARING

SHOP DRAWINGS ARE REVIEWED UNLESS NOTED OTHERWISE

|                           |                                     |
|---------------------------|-------------------------------------|
| NO EXCEPTION TAKEN        | <input checked="" type="checkbox"/> |
| REVISE AS NOTED           | <input type="checkbox"/>            |
| RESUBMISSION NOT REQUIRED | <input type="checkbox"/>            |
| CONCRETE BEARING SURFACE  | <input checked="" type="checkbox"/> |
| REVISE AS NOTED           | <input type="checkbox"/>            |
| RESUBMISSION REQUIRED     | <input type="checkbox"/>            |

DATE: 2/23/10  
SIGNATURE: [Signature]

REVIEW BY STANTEC IS FOR THE SOLE PURPOSE OF ASCERTAINING GENERAL CONFORMITY WITH DESIGN. CONTRACTOR IS RESPONSIBLE FOR DIMENSIONS, FABRICATION AND CONSTRUCTION METHODS. COORDINATION OF DETAIL DESIGN OF COMPONENTS AND FACTORS OR OMISSIONS ON SHOP DRAWINGS.

VERMONT AGENCY OF TRANSPORTATION  
PROPOSED IMPROVEMENT BRIDGE PROJECT  
TOWN OF PUTNEY, COUNTY OF WINDHAM  
US RT. 5 FAS (MAJOR COLLECTOR), BRIDGE 19A

**EXPANSION ELASTOMERIC BEARING DETAIL**

**AMSCOT**  
STRUCTURAL PRODUCTS CORP.  
DOVER, NJ JOB # 3383

|               |               |                  |
|---------------|---------------|------------------|
| SCALE: N.T.S. | CHECKED: B.F. | DRAWN BY: C.A.M. |
| DATE: 1/28/10 | B.F.          | REVISION: A      |

FOR: J.A. MCDONALD, INC.  
DWG NO: JAM10A3RA SHEET NO. 3 OF 3