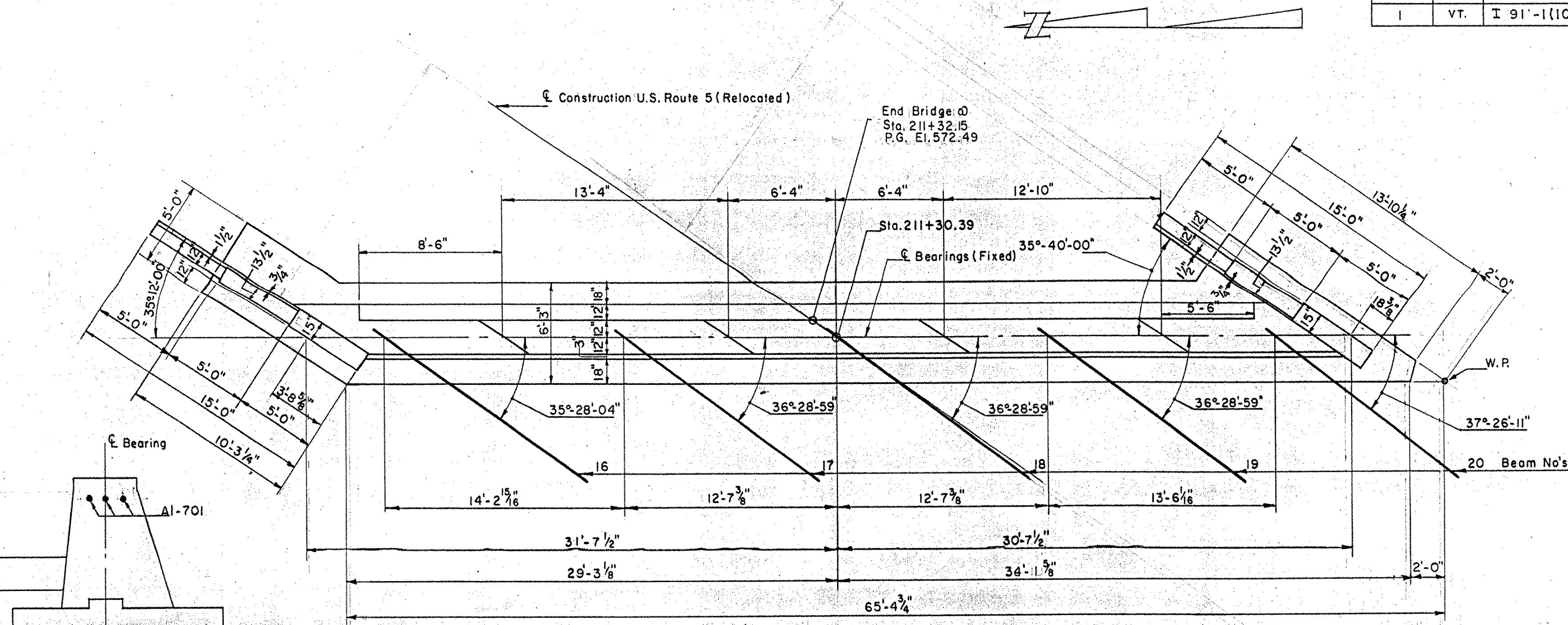
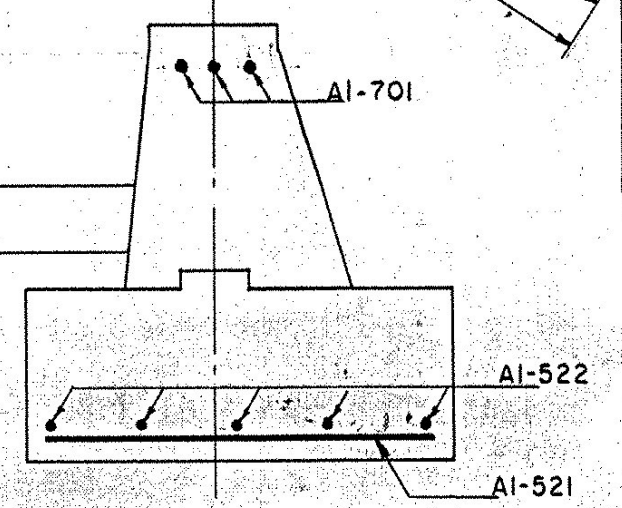


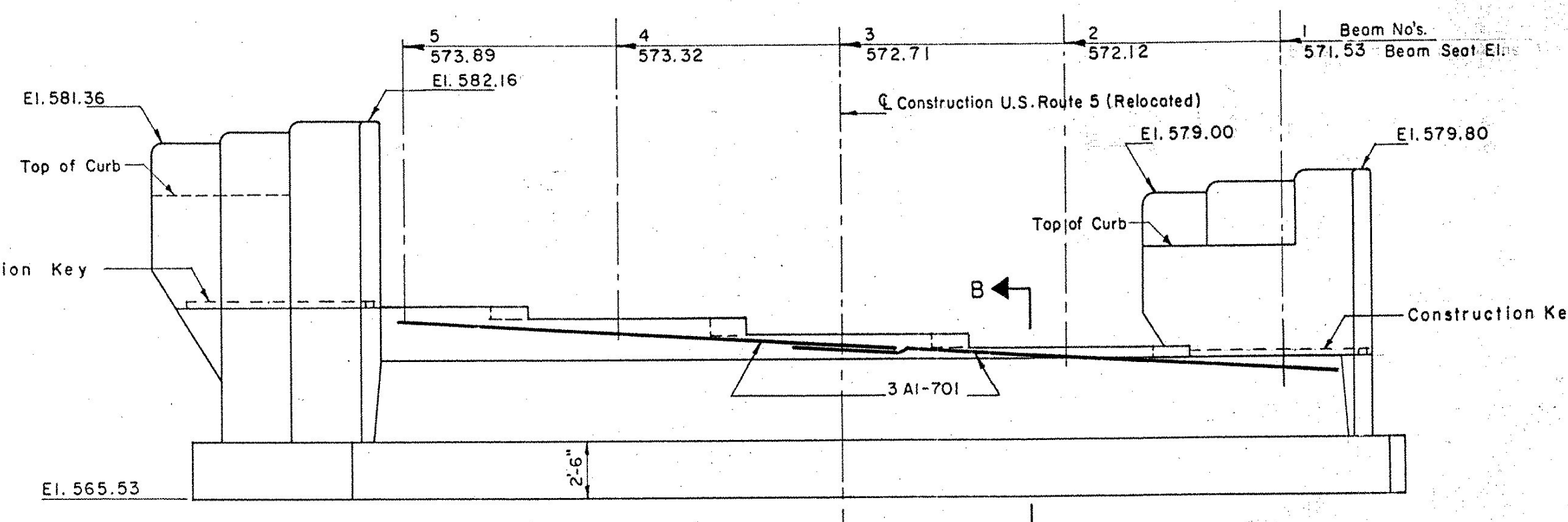
PLAN ABUTMENT NO. 1  
SCALE: 3/16" = 1'-0"



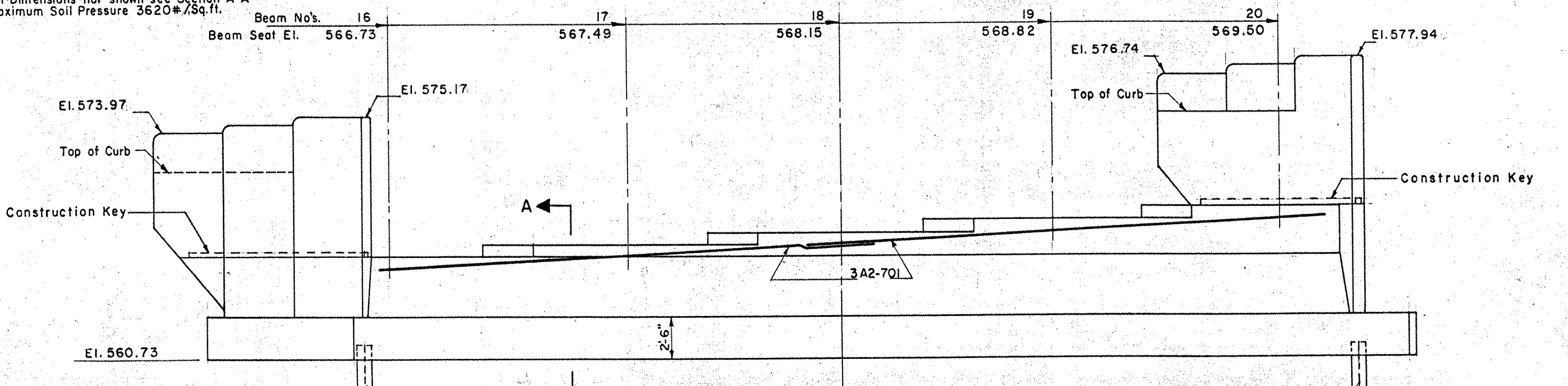
PLAN ABUTMENT NO. 2  
SCALE: 3/16" = 1'-0"



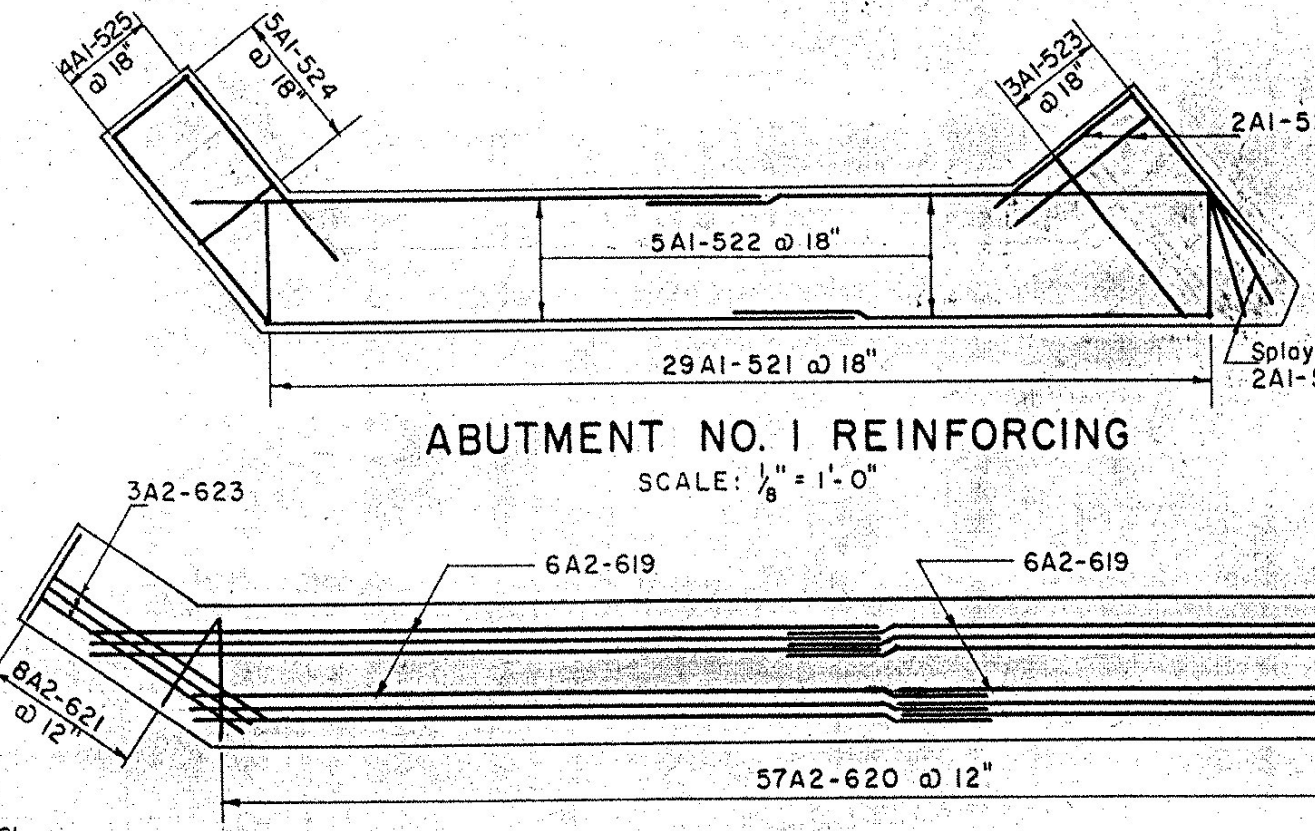
SECTION B-B  
SCALE: 3/8" = 1'-0"



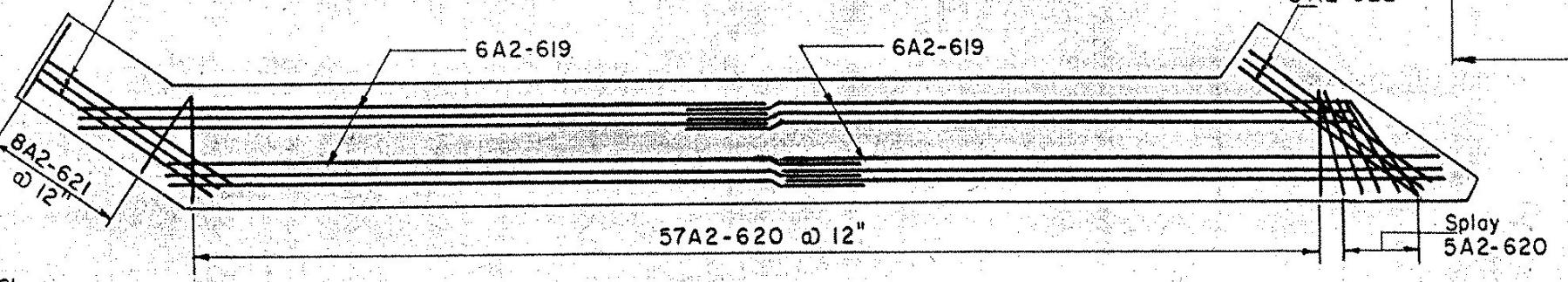
ELEVATION ABUTMENT NO. 1  
SCALE: 3/16" = 1'-0"



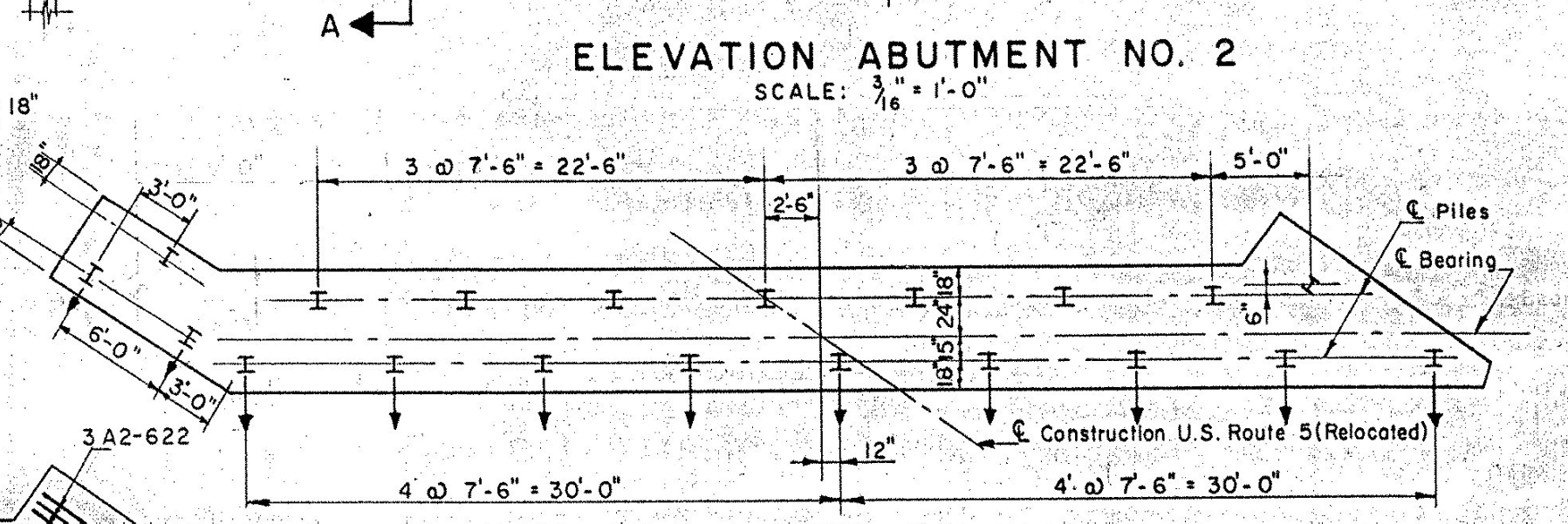
ELEVATION ABUTMENT NO. 2  
SCALE: 3/16" = 1'-0"



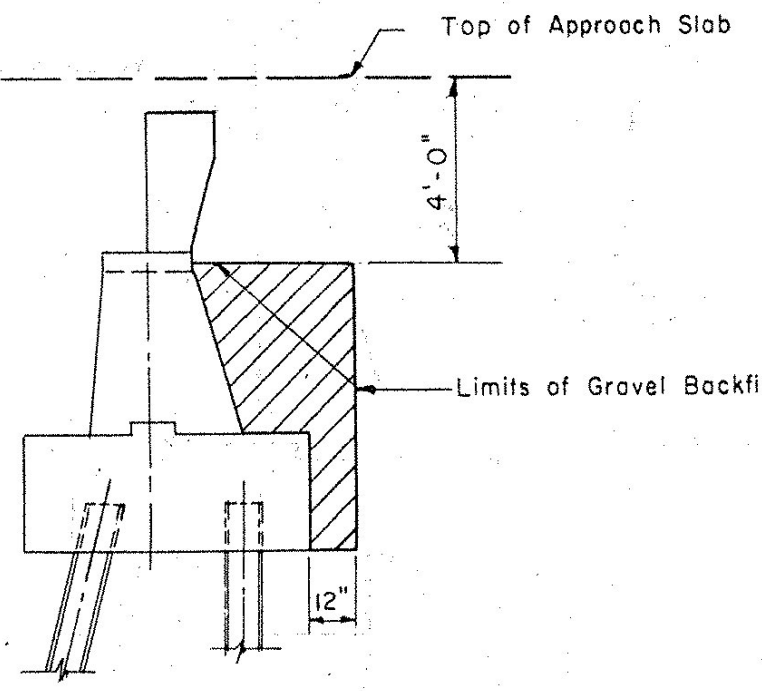
ABUTMENT NO. 1 REINFORCING  
SCALE: 1/8" = 1'-0"



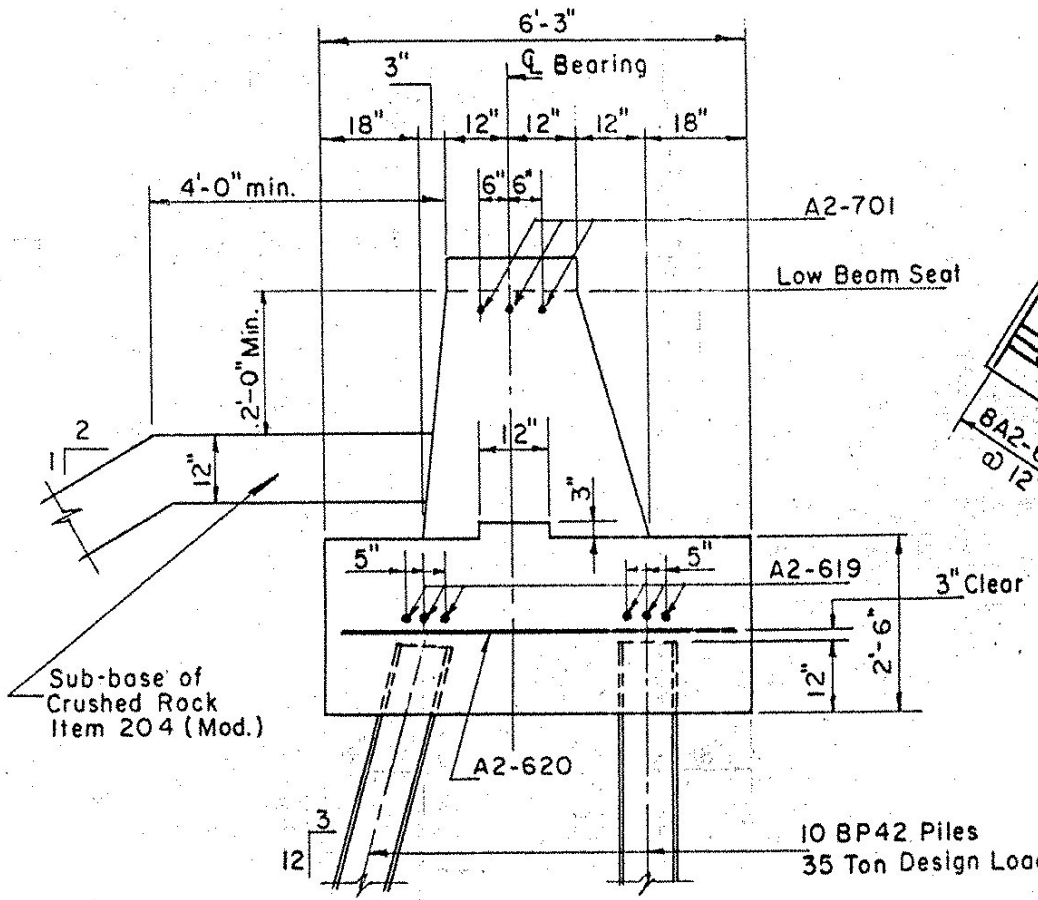
ABUTMENT NO. 2 REINFORCING  
SCALE: 1/8" = 1'-0"



PILE PLAN ABUTMENT NO. 2  
SCALE: 1/8" = 1'-0"



LIMITS OF GRAVEL BACKFILL  
SCALE: 1/4" = 1'-0"



SECTION A-A  
SCALE: 3/8" = 1'-0"

- NOTES:
- Steel piles to be 10BP42 35 Ton design load. Vertical piles indicated thus  $\perp$ . Batter piles indicated thus  $\nabla$ .
  - For estimating purposes piles are assumed to be 22' long.
  - Slope area between bridge seats 1/4" Ft. Entire exposed top of bridge seats to be covered with 1/2" of Asphaltic Asbestos coating after superstructure is in place.
  - Prior to driving piles, rock free fill shall be placed under the abutment curb to approximately the pile cutoff elevation and with a surface area of at least (2) two feet outside the abutment area. After piles are driven, the fill shall be excavated to the elevation of the bottom of footing.
  - A layer of Sub Base of Crushed Rock Item 204 (Mod.) one (1) foot thick shall be placed on the embankments in front of the abutment. The edges of the area to be in line with the end posts and parallel to the  $\nabla$  of the Roadway.
  - Beam Seat Elevations are of top of concrete.

ITEM NO.	DESCRIPTION	UNIT	ABUTMENT NO. 1				ABUTMENT NO. 2			
			NET	OVER-RUN	TOTAL	FINAL	NET	OVER-RUN	TOTAL	FINAL
107	Structure Excavation	C. Y.	28	3	31					
204	Sub-base of Crushed Rock	C. Y.	76	44	120					
222	Gravel Backfill	C. Y.	29	8	37					
40+B	Concrete Class B (Mod.)	C. Y.	6.4	3	9.4					
402	Reinforcing Steel	LBS.			See Reinfo					
407	Asphaltic-Asbestos Coating	S. Y.	10	✓		10	✓			
504	Steel Piling	L. F.		N	O	N	E			
503	Splices for Steel Piling	Eg.			None					

PUTNEY - BRIDGE 19A  
NH F019-1(15)  
SHEET NO. 71  
FOR REFERENCE ONLY

IM 091-1(31)  
This sheet for information only  
**BR 17**  
**ABUTMENTS NO. 1 AND 2**  
STATE OF VERMONT  
DEPARTMENT OF HIGHWAYS  
INTERSTATE PROJECT in the town of  
**PUTNEY**  
INTERSTATE UNDER STA. 1200+24.70  
U.S. ROUTE 5 (REL.) STA. 209+52.98  
THE CLARKESON ENGINEERING CO., INC.  
CONSULTING ENGINEERS  
BOSTON MASSACHUSETTS  
SURVEYED BY D. E. S. CHECKED BY D. S. SCALE AS NOTED  
DRAWN BY D. E. S. IN CHARGE J. V. B. DATE 10-25-57  
PROJECT NO. I 91-1(10) SHEET 124 OF 328