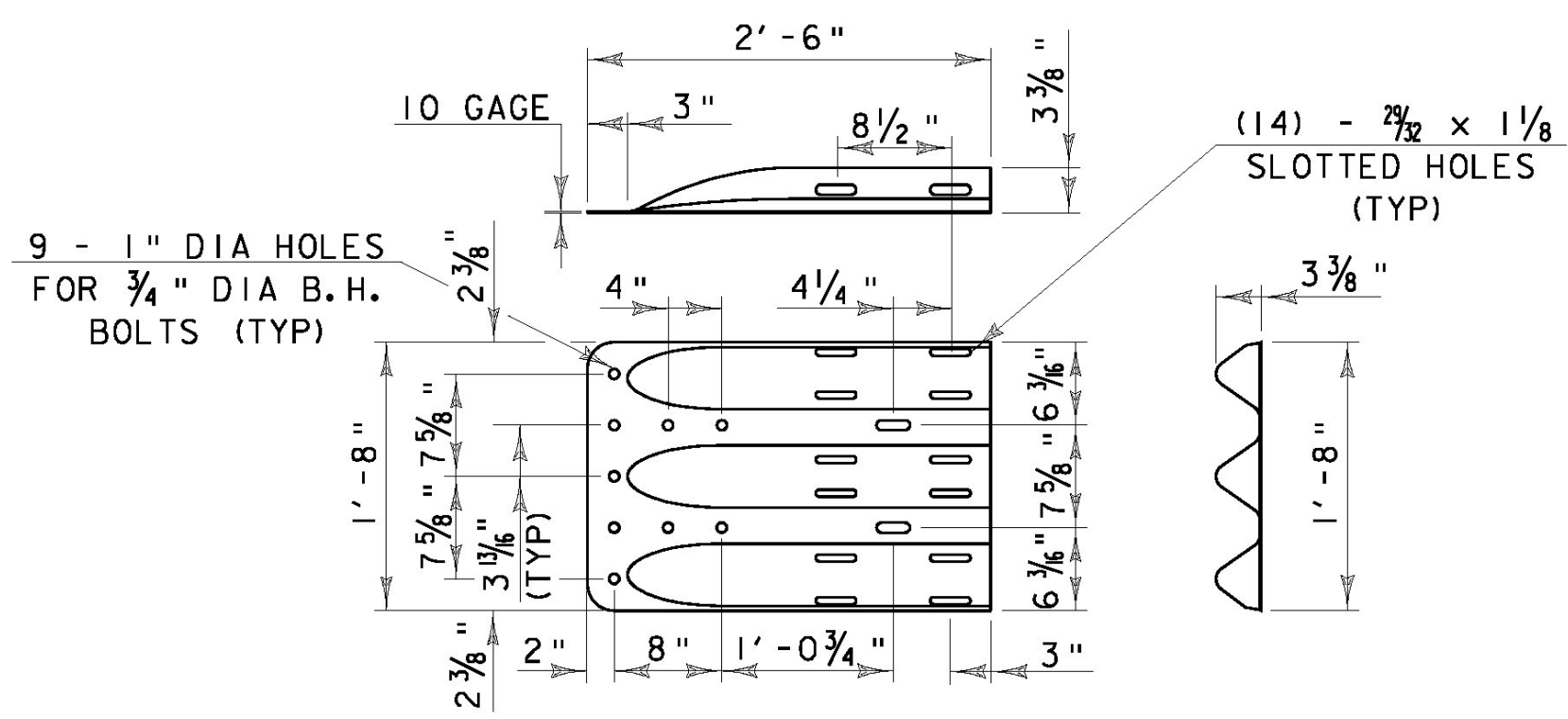
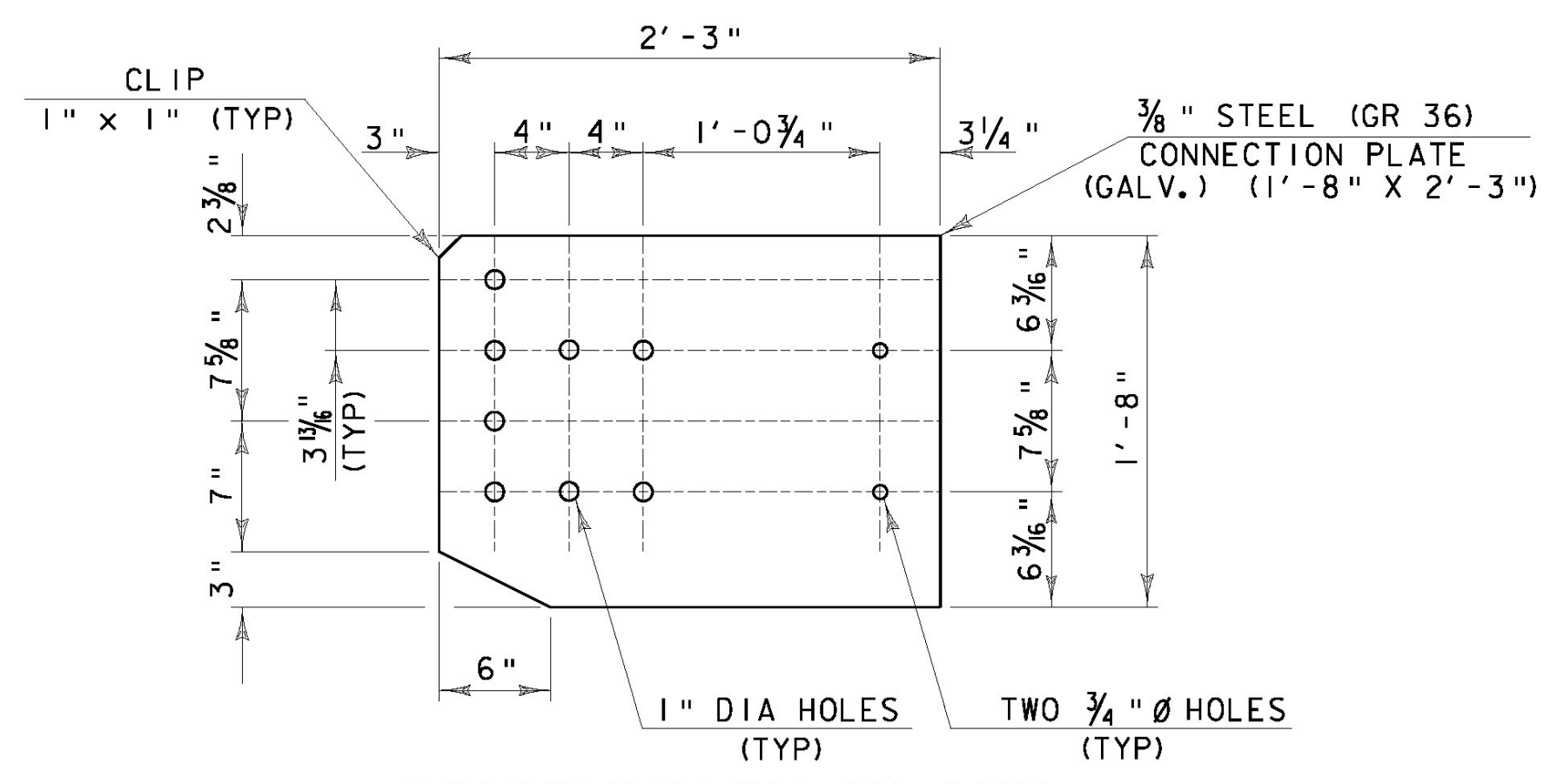


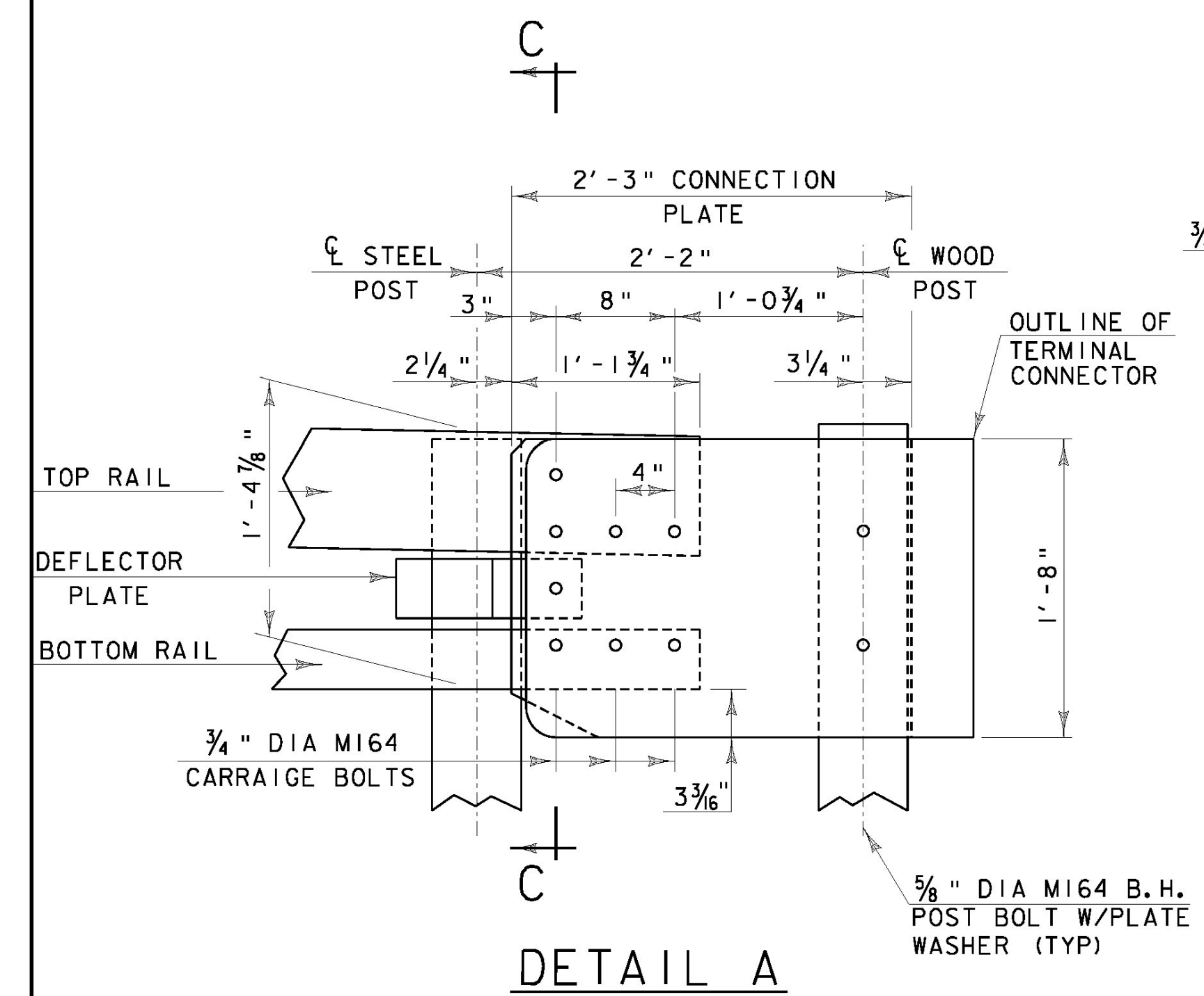
WOOD POST-RAIL ASSEMBLY



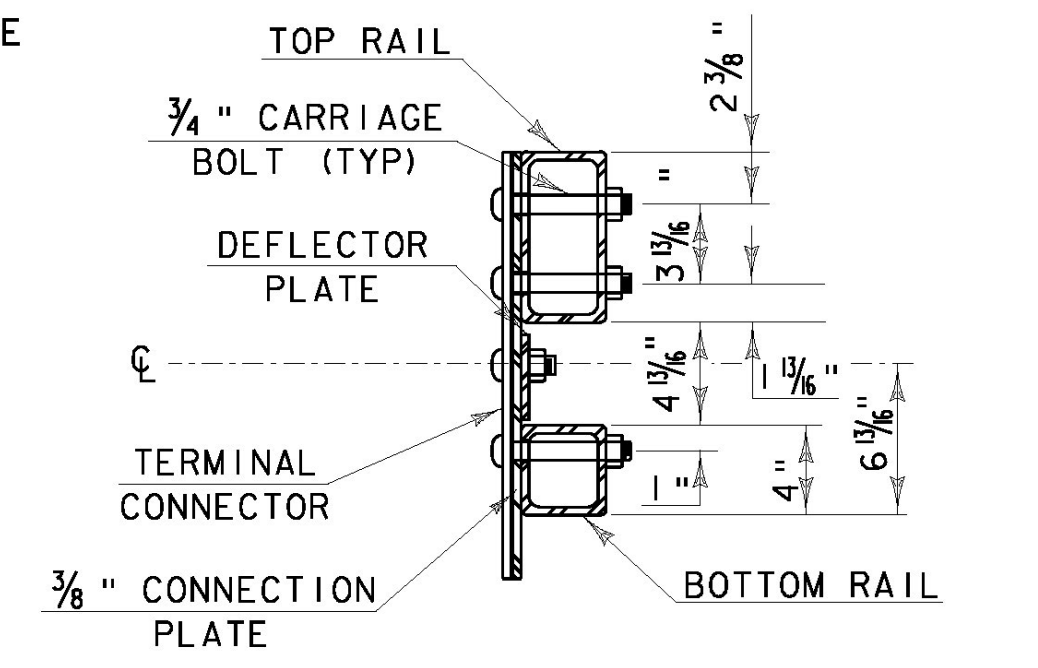
THREE-BEAM TERMINAL CONNECTOR



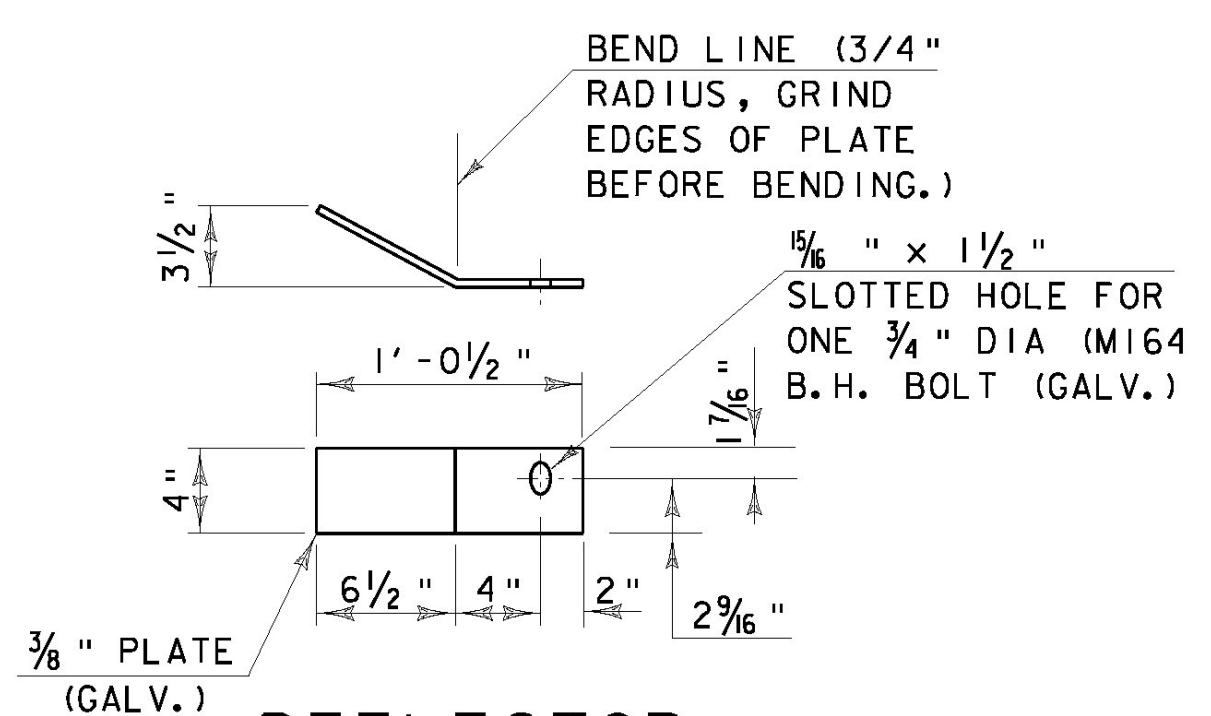
CONNECTION PLATE



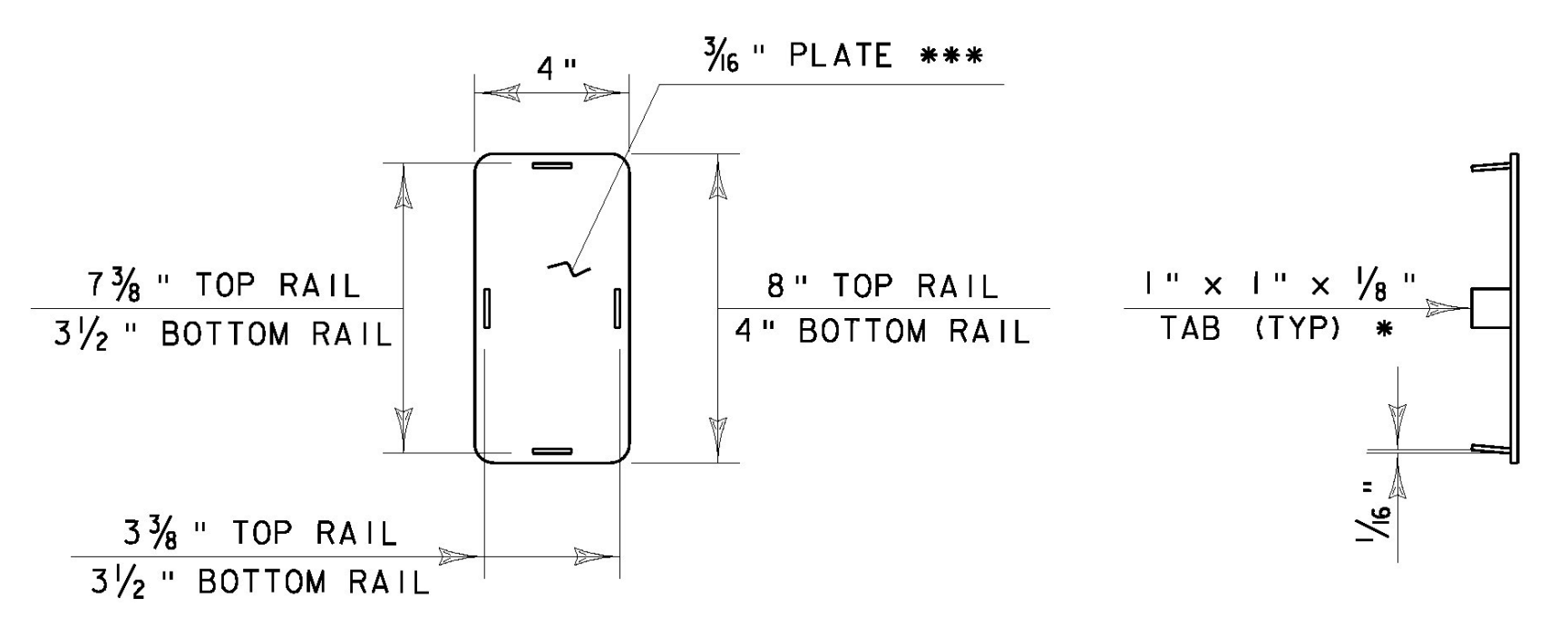
DETAIL A



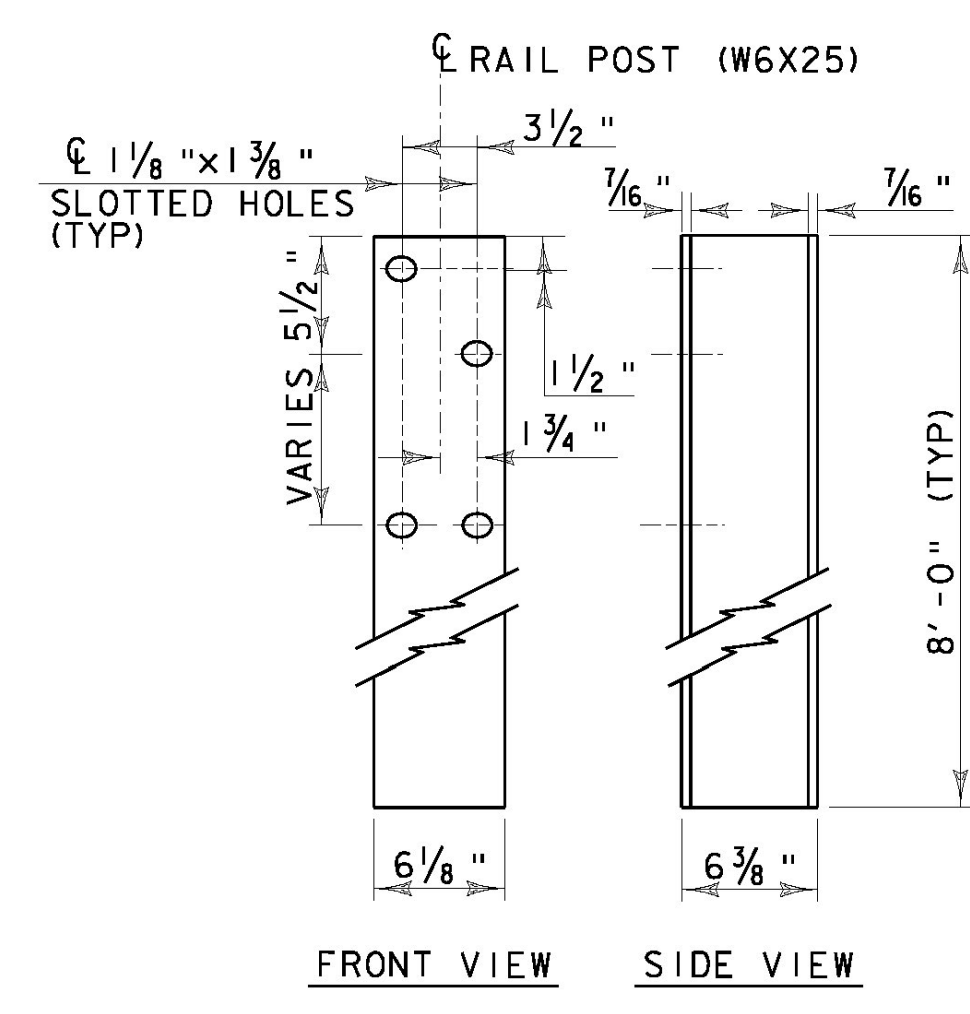
SECTION C-C (CONNECTION PLATE)



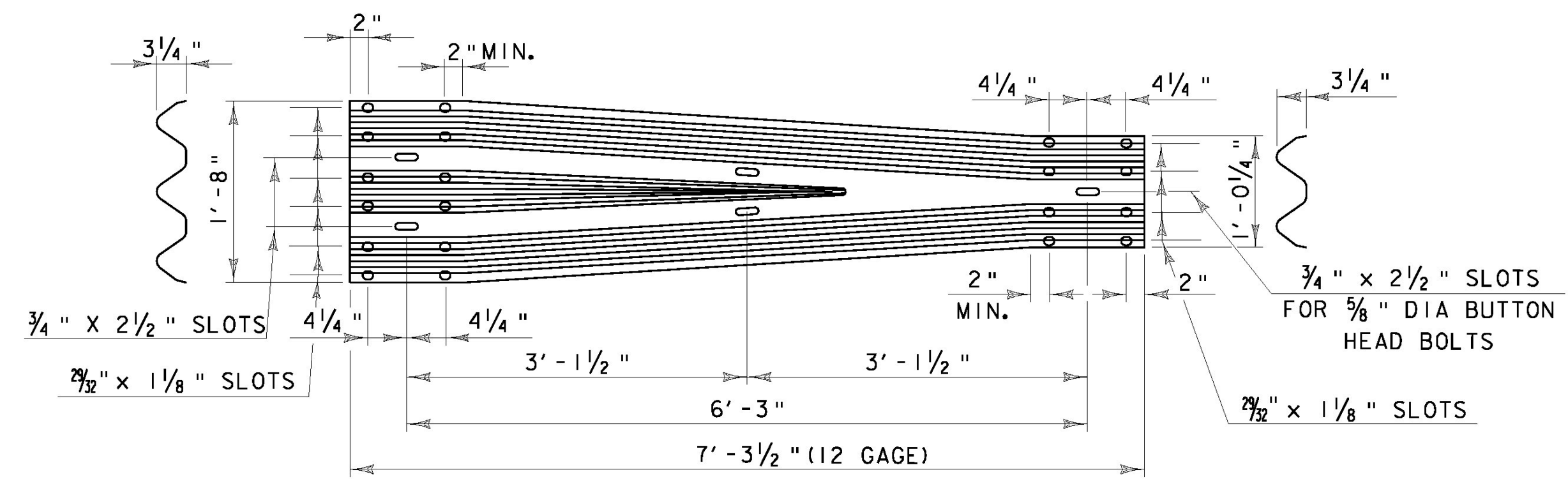
DEFLECTOR PLATE DETAIL



END CAP DETAIL



RAIL POST



THREE-BEAM TO STD SB TRANSITION SECTION

STATE OF VERMONT AGENCY OF TRANSPORTATION			
Town Of	PUTNEY	Bridge No. 19A	
Highway No.	U.S. ROUTE 5	Log Sta. Surv. Sta.	
U.S. ROUTE 5 OVER I-91			
NETC 2 RAIL - THREE BEAM APPROACH RAIL 2			
Designed By	VTRANS	Drawn By	VTRANS
Checked By	T. KNIGHT	Date	06/09
		Bridge Design Supervisor	G. BOGUE Date 06/09
PROJECT	PUTNEY	PROJECT NO.	NH F019-I(5)
CAD Drawing Name:	...51z93a148brail3.plt	Date:	7/8/2009
Bridge Sheet No.		Sheet	51 of 75

