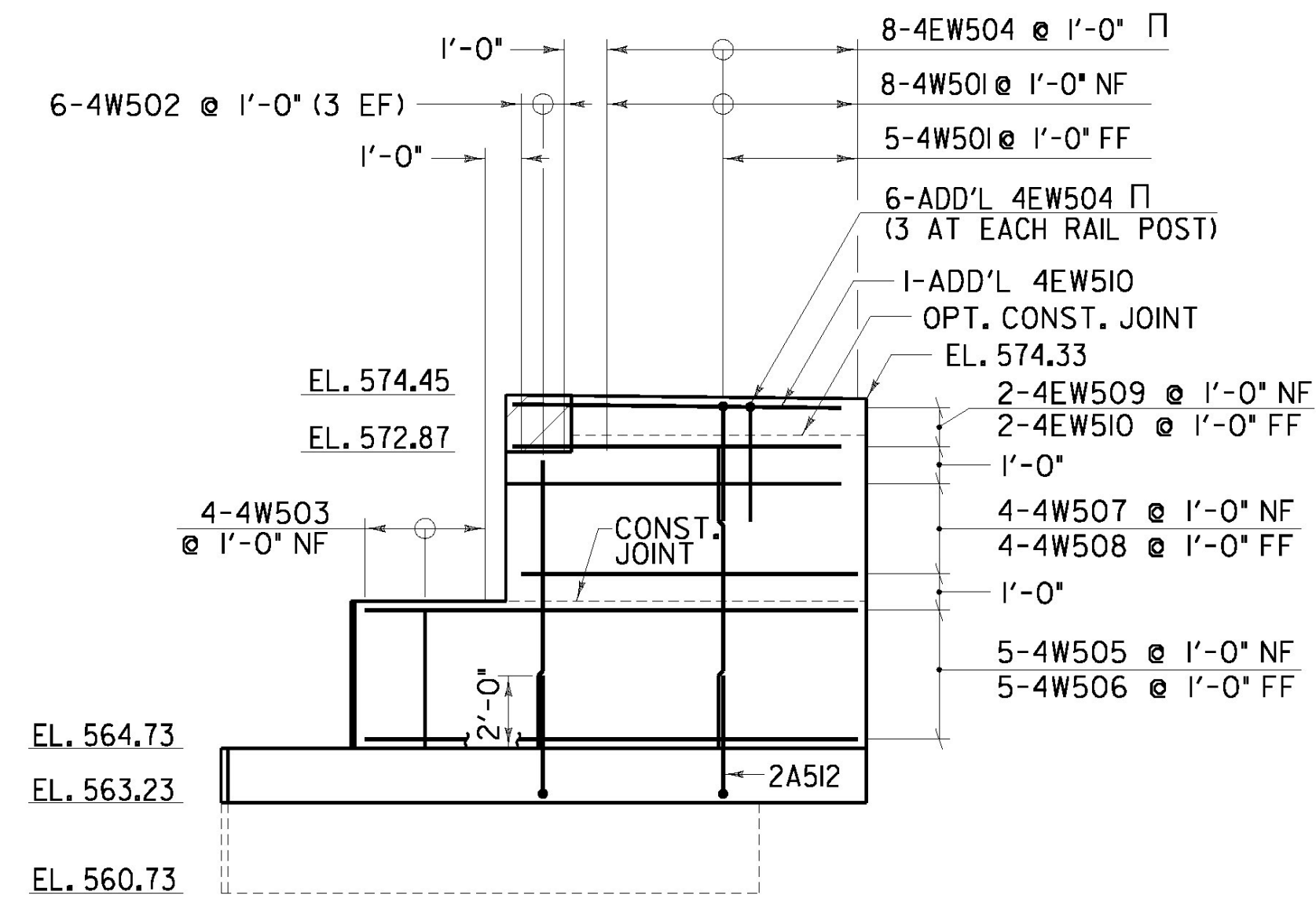


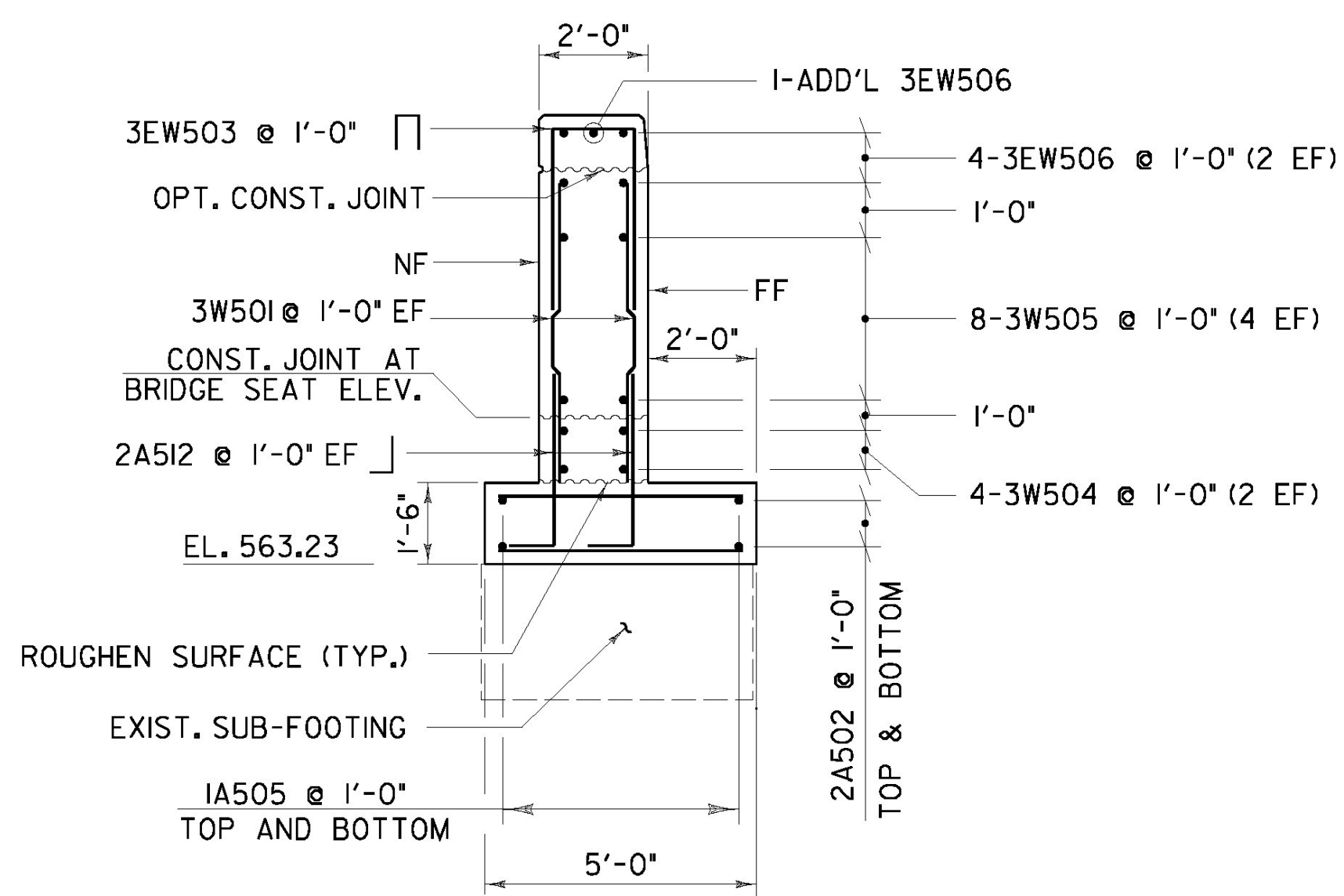
**WINGWALL No. 3 ELEVATION**

SCALE 1/4" = 1'-0"  
1 0 2 4 6



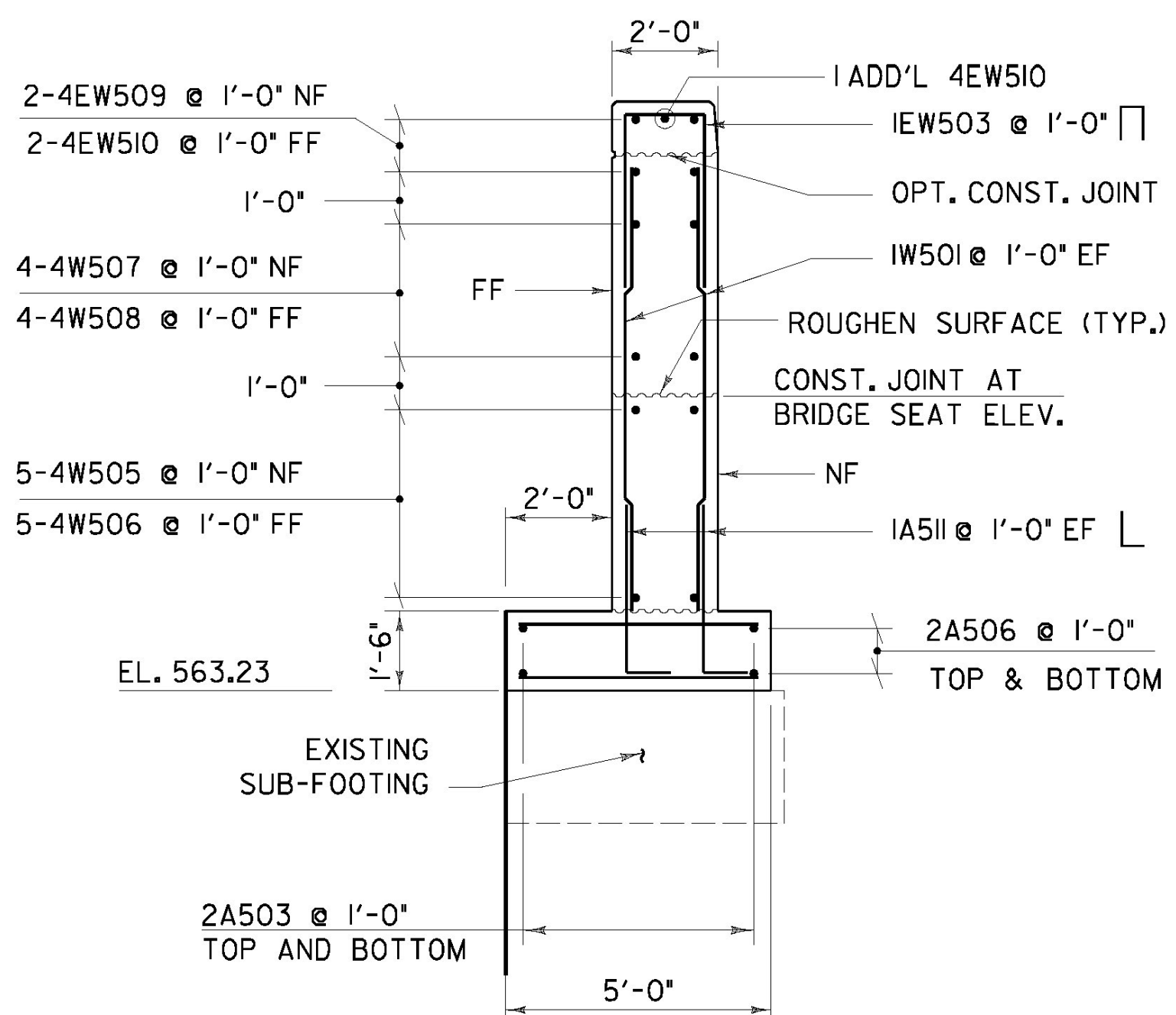
**WINGWALL No. 4 ELEVATION**

SCALE 1/4" = 1'-0"  
1 0 2 4 6



**WINGWALL No. 3 SECTION**

SCALE 3/8" = 1'-0"  
1 0 1 2 3 4



**WINGWALL No. 4 SECTION**

SCALE 3/8" = 1'-0"  
1 0 1 2 3 4

NOTE:  
NF = NEAR FACE  
FF = FAR FACE  
EF = EACH FACE  
▲ = CUT TO FIT IN FIELD  
3" CLR. UNLESS OTHERWISE  
SPECIFIED ON THE PLANS.



STATE OF VERMONT AGENCY OF TRANSPORTATION			
Town Of	PUTNEY	Bridge No.	19A
Highway No.		Log Sta.	
		Surv. Sta.	
U.S. ROUTE 5 OVER I-91			
ABUTMENT 2 WINGWALL DETAILS			
Designed By	T. KNIGHT	Drawn By	R. WALKER
Checked By	T. KNIGHT	Date	07/09
		Bridge Design Supervisor	G. BOGUE Date 07/09
PROJECT	PUTNEY	PROJECT NO.	IM 091-1(31)
CAD Drawing Name:	...45 z93al48ab12 w1gpt	Date:	7/8/2009
Bridge Sheet No.		Sheet	45 of 75