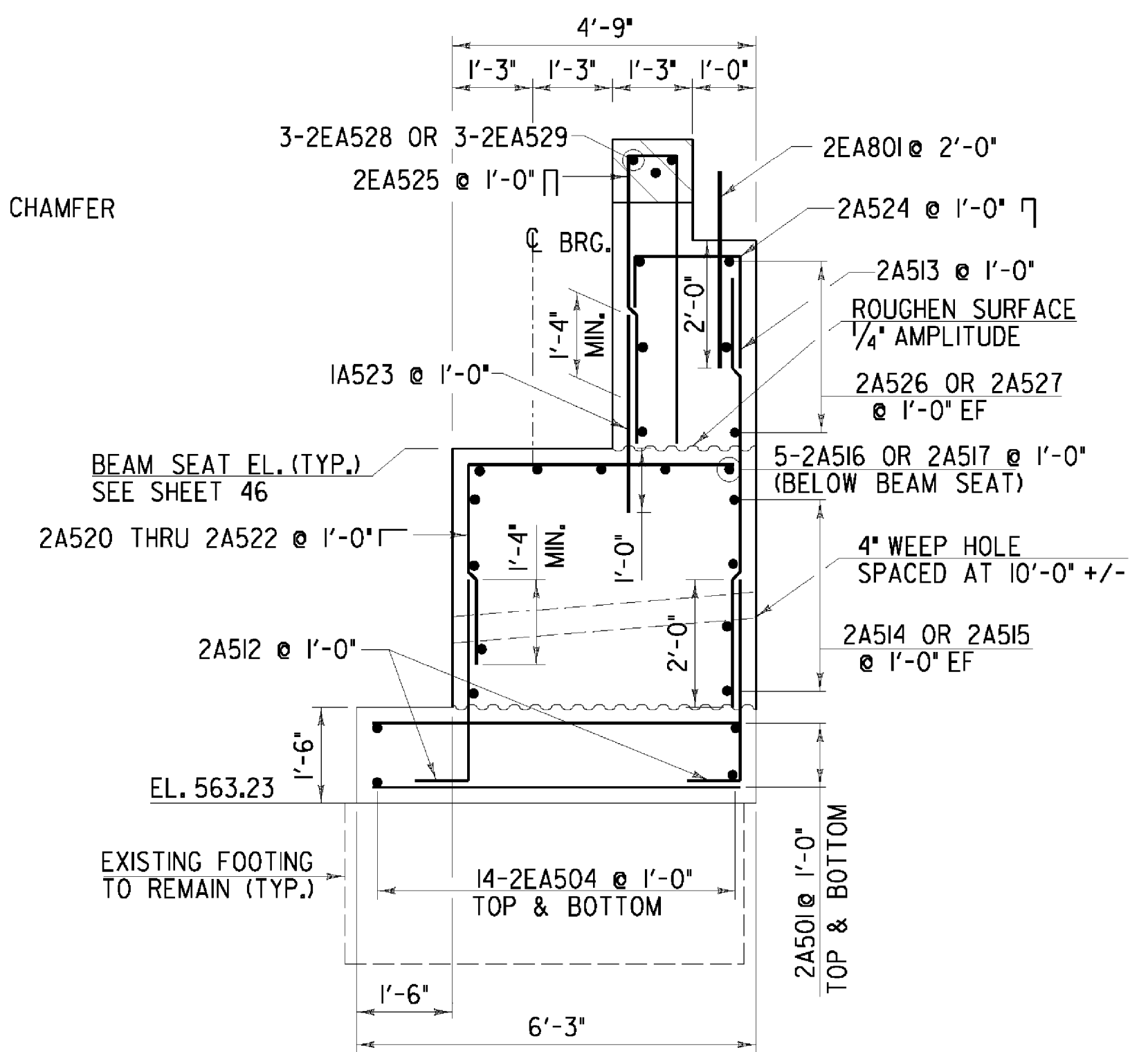


ABUTMENT 2 - PLAN

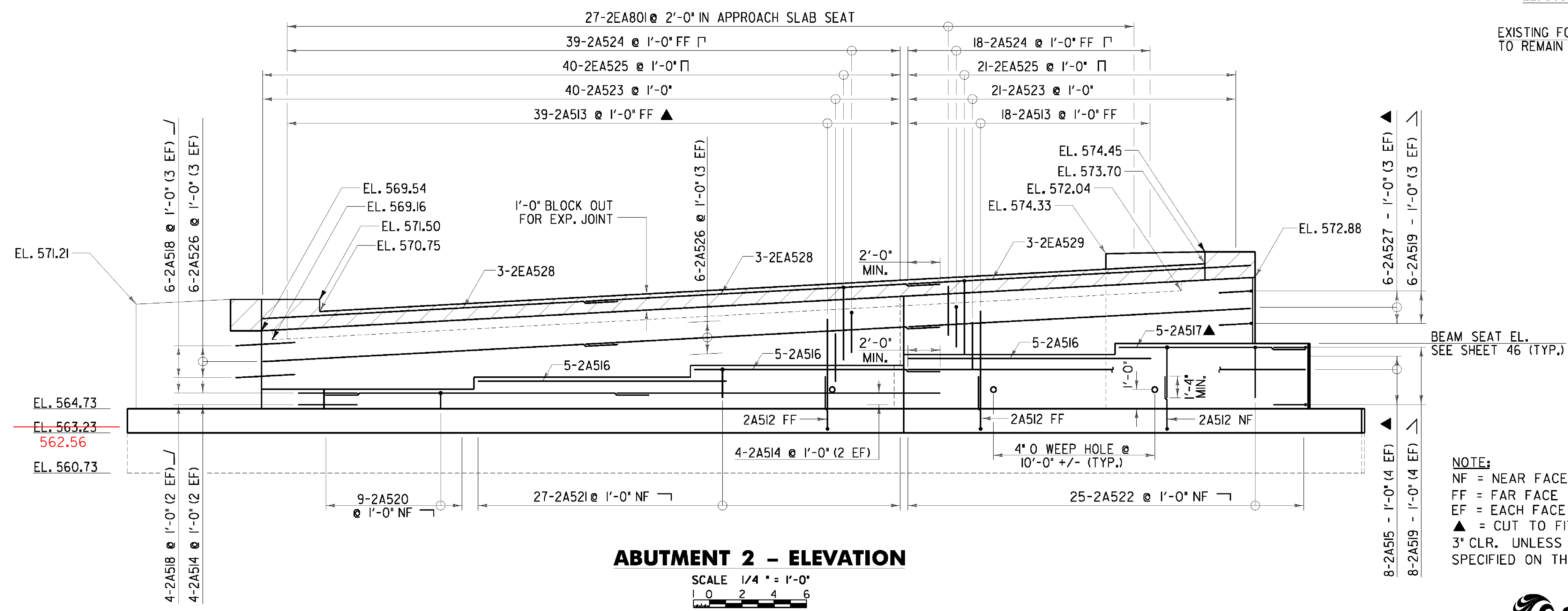
SCALE 1/4" = 1'-0"
 0 2 4 6

NOTE:
 FOR ANCHOR BOLT LAYOUT
 REFER TO SHT. 32



ABUTMENT 2 TYPICAL SECTION

SCALE 1/2" = 1'-0"
 0 2



ABUTMENT 2 - ELEVATION

SCALE 1/4" = 1'-0"
 0 2 4 6

NOTE:
 NF = NEAR FACE
 FF = FAR FACE
 EF = EACH FACE
 ▲ = CUT TO FIT IN FIELD
 3" CLR. UNLESS OTHERWISE
 SPECIFIED ON THE PLANS.

STATE OF VERMONT AGENCY OF TRANSPORTATION		
Town Of	PUTNEY	Bridge No. 19A
Highway No.		Log Sta. Surv. Sta.
U.S. ROUTE 5 OVER I-91		
ABUTMENT 2 PLAN AND ELEVATION		
Designed By	T. KNIGHT	Drawn By R. WALKER
Checked By	Date	Bridge Design Supervisor
T. KNIGHT	06/09	G. BOGUE Date 06/09
PROJECT	PUTNEY	PROJECT NO.
		IM 091-(131)
CAD Drawing Name	...Plot Files\43 2930148062017/8/2009	
Bridge Sheet No.	Sheet 43 of 75	

