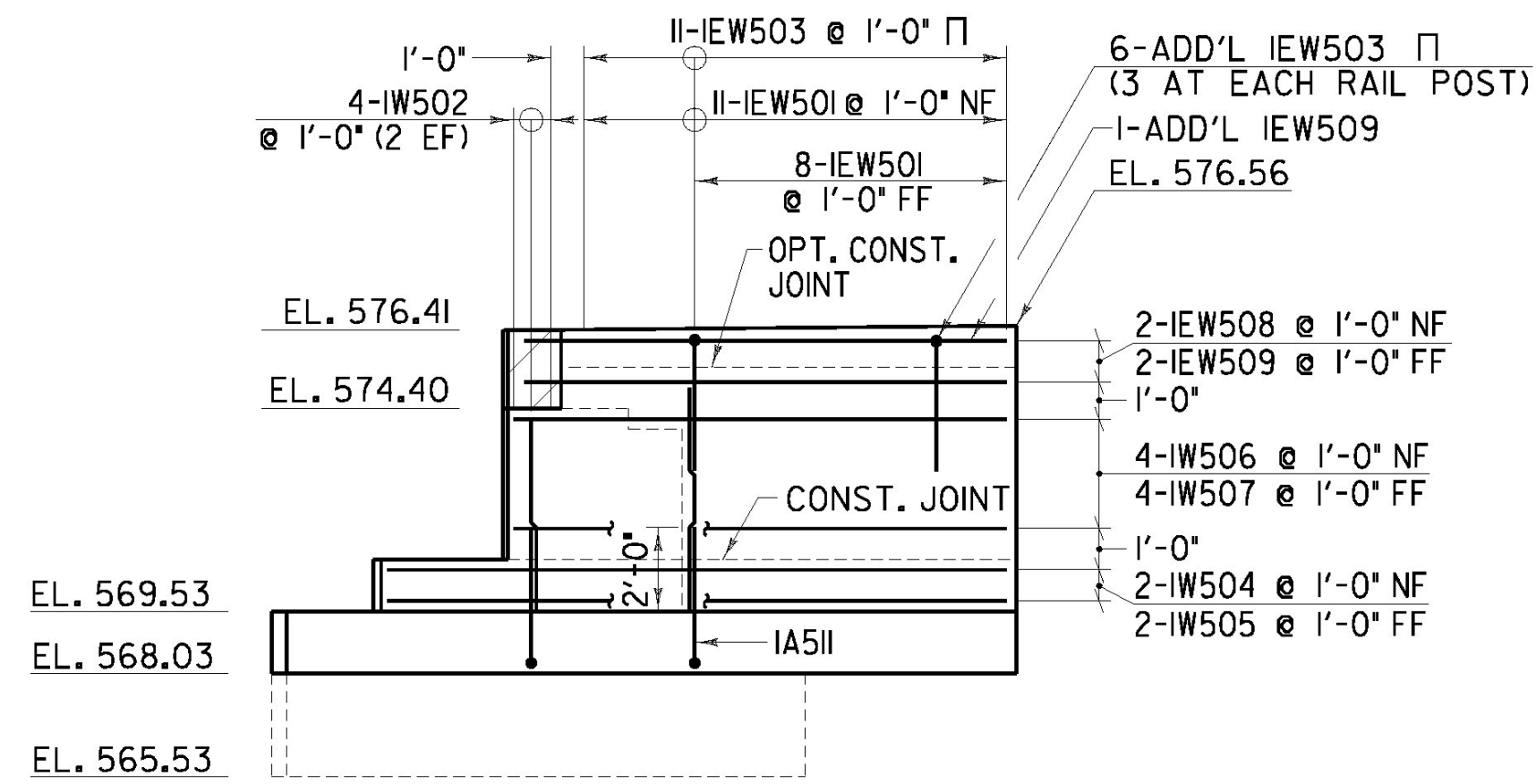


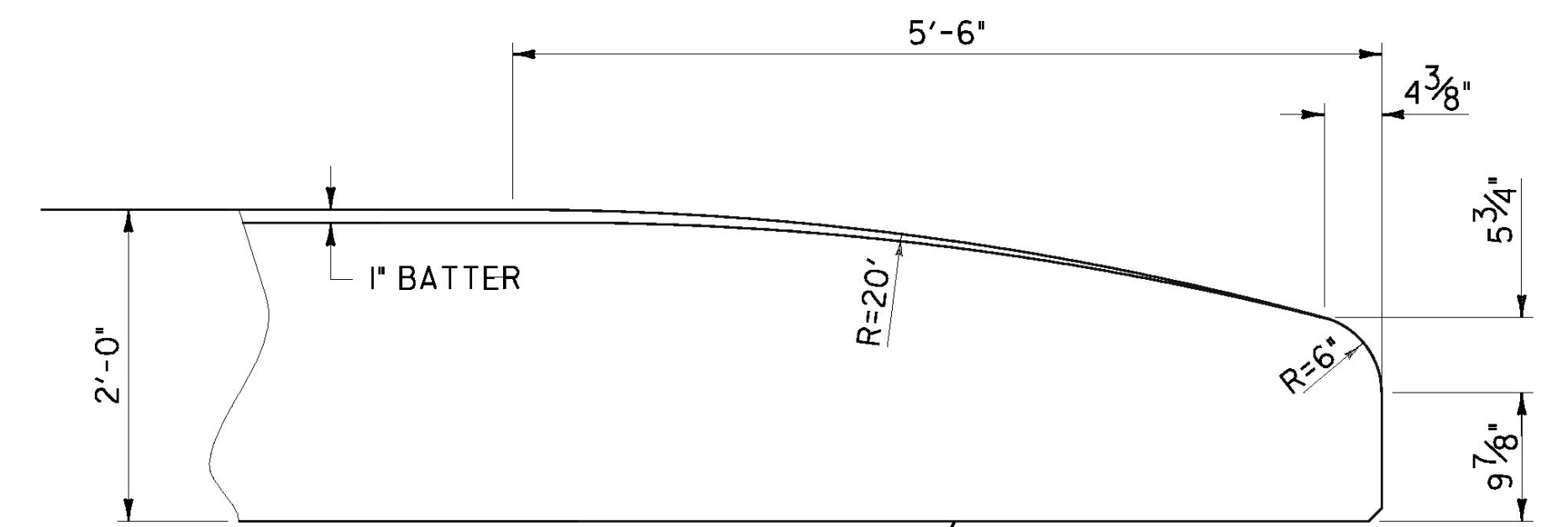
WINGWALL No. 2 ELEVATION

SCALE 1/4" = 1'-0"
 0 2 4 6

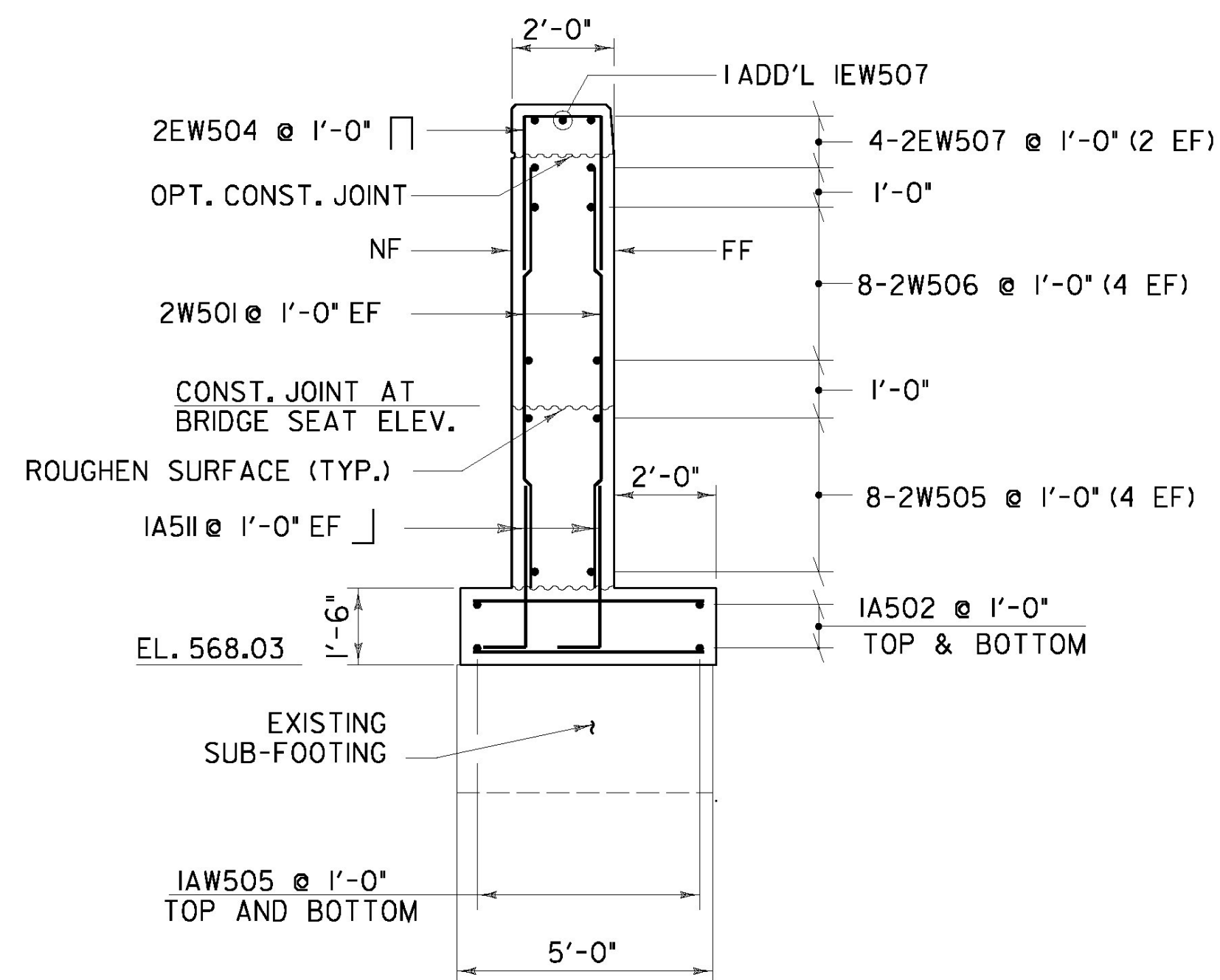


WINGWALL No. 1 ELEVATION

SCALE 1/4" = 1'-0"
 0 2 4 6

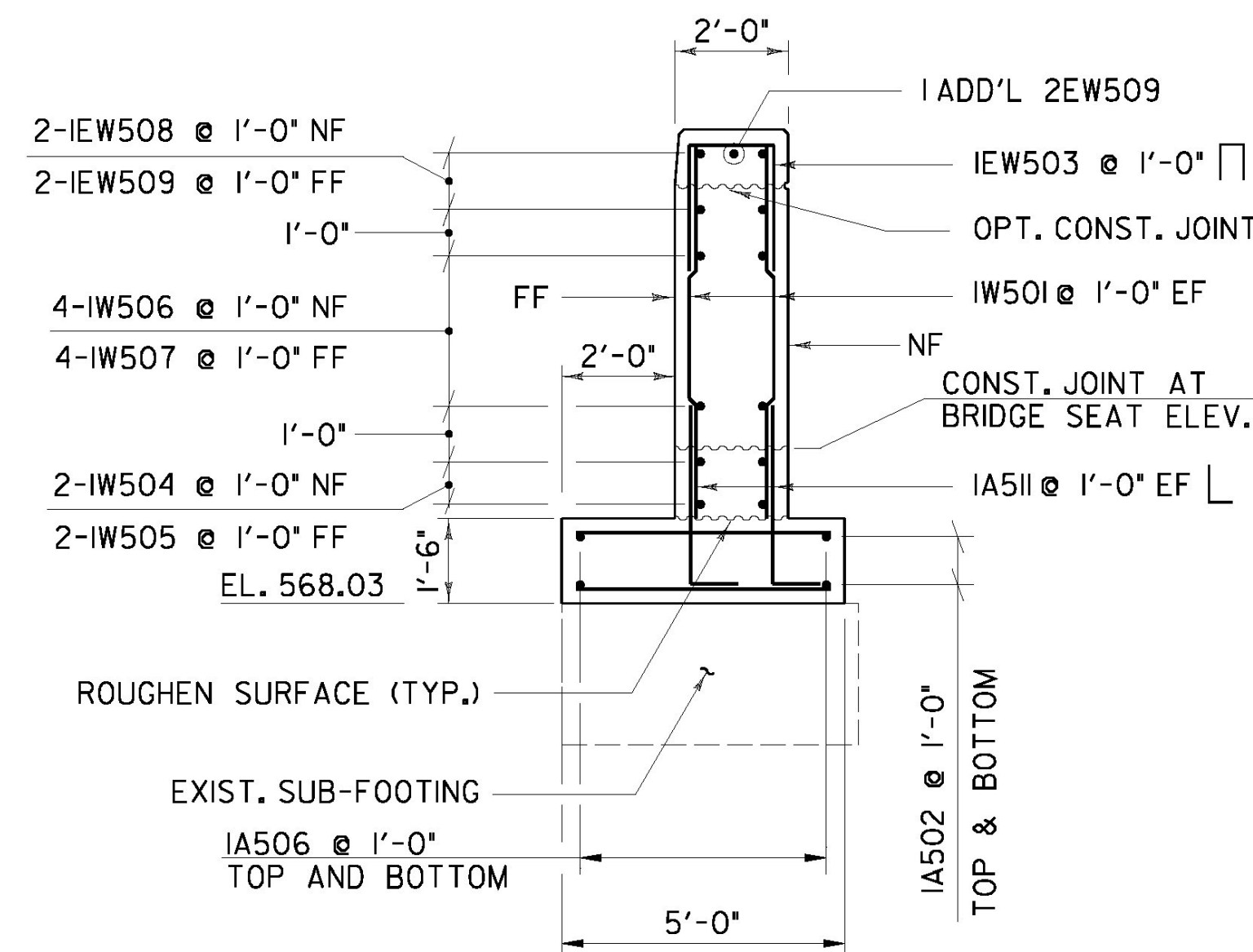


FLARED END FOR WINGWALL CURB
 CONCRETE CURB
 HIGH PERFORMANCE CLASS A
 NOT TO SCALE



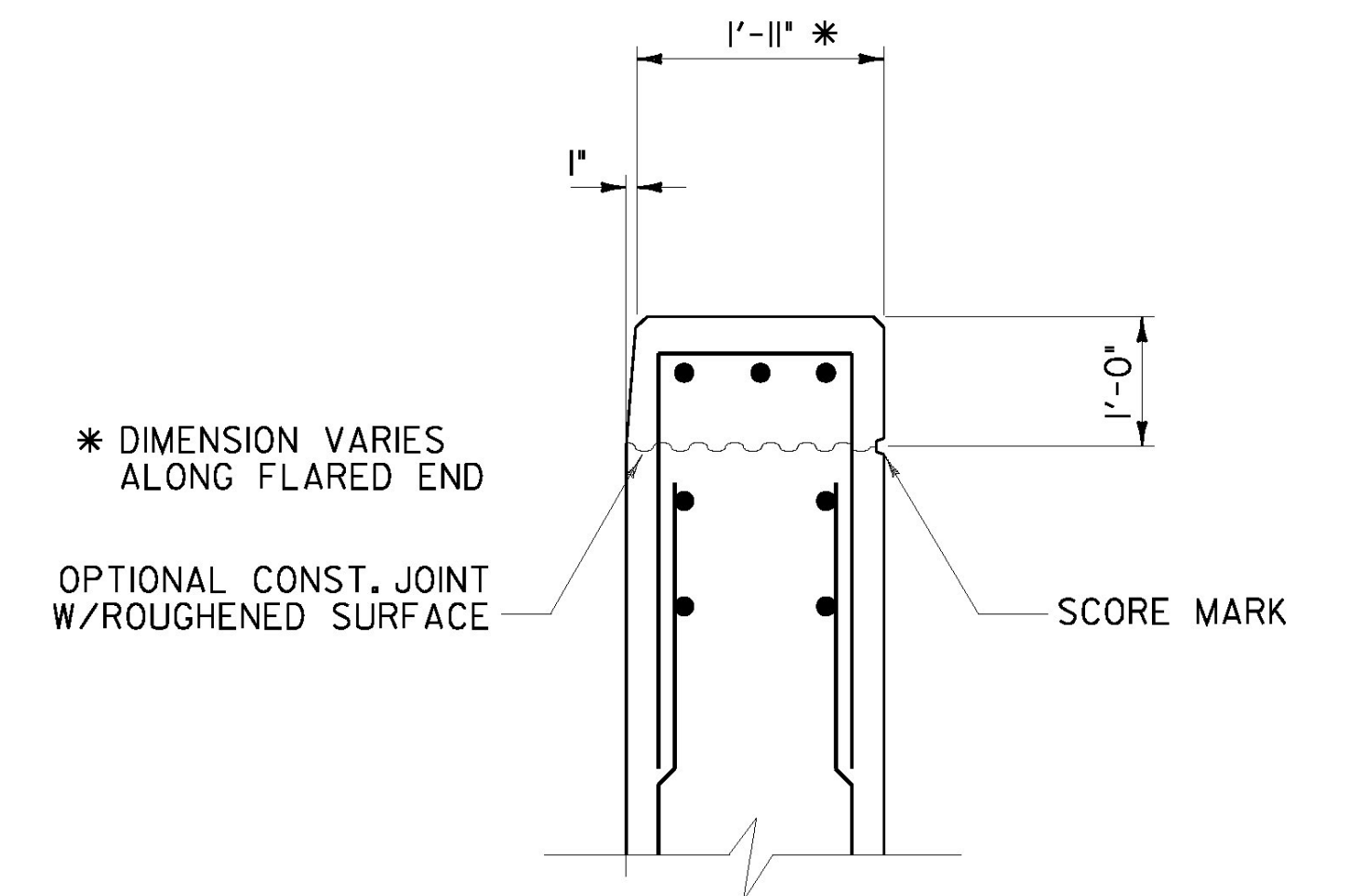
WINGWALL No. 2 SECTION

SCALE 3/8" = 1'-0"
 0 1 2 3 4



WINGWALL No. 1 SECTION

SCALE 3/8" = 1'-0"
 0 1 2 3 4



TOP OF WINGWALL DETAIL
 N.T.S.

NOTE:
 NF = NEAR FACE
 FF = FAR FACE
 EF = EACH FACE
 ▲ = CUT TO FIT IN FIELD
 3' CLR. UNLESS OTHERWISE
 SPECIFIED ON THE PLANS.



STATE OF VERMONT AGENCY OF TRANSPORTATION			
Town Of	PUTNEY	Bridge No.	19A
Highway No.		Log Sta.	
		Surv. Sta.	
U.S. ROUTE 5 OVER I-91			
ABUTMENT 1 WINGWALL DETAILS			
Designed By	T. KNIGHT	Drawn By	R. WALKER
Checked By	T. KNIGHT	Bridge Design Supervisor	G. BOGUE
Date	06/09	Date	06/09
PROJECT	PUTNEY	PROJECT NO.	IM 091-1(31)
CAD Drawing Name:	...42 z93a148ab1ww	Date:	7/8/2009
Bridge Sheet No.		Sheet	42 of 75