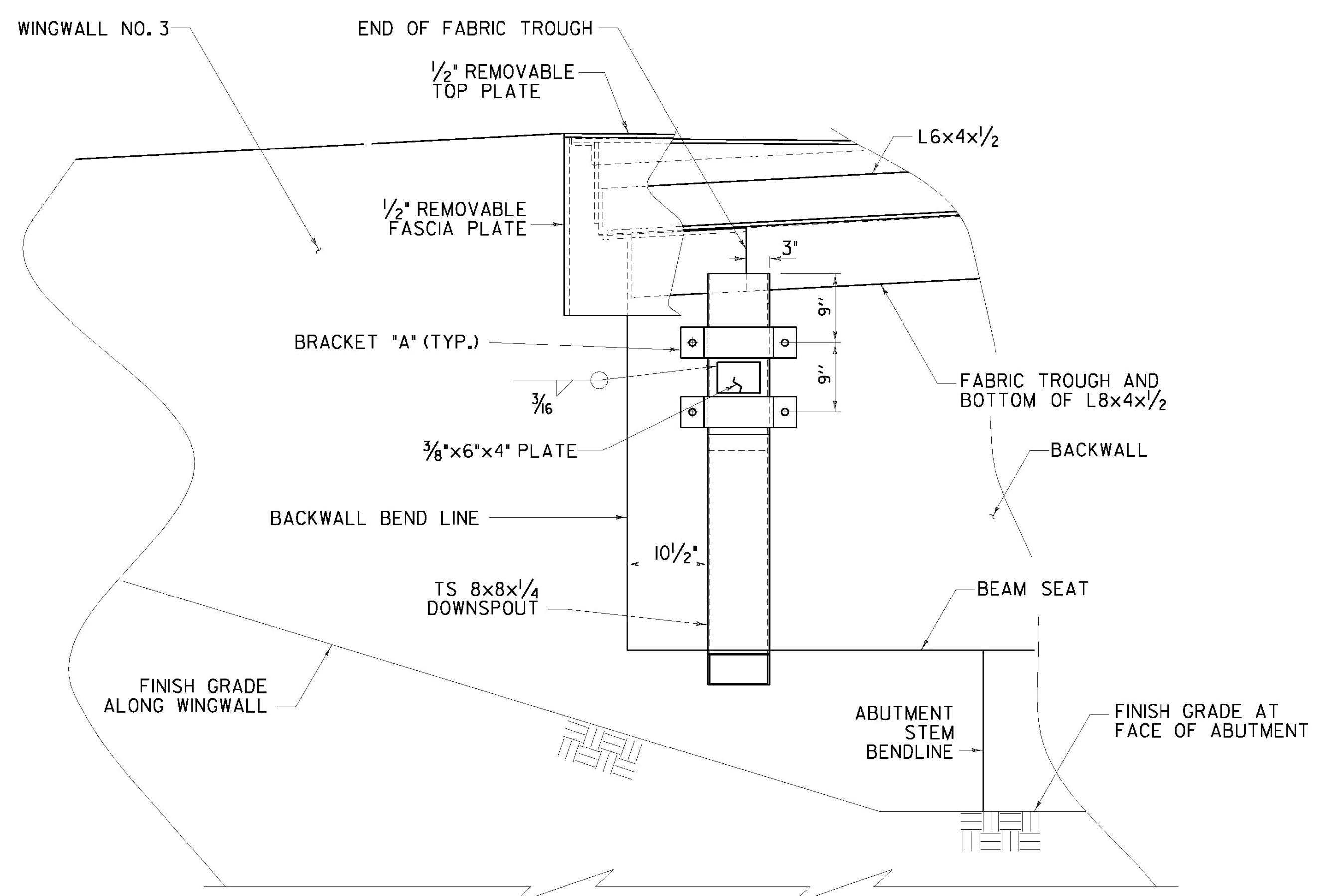
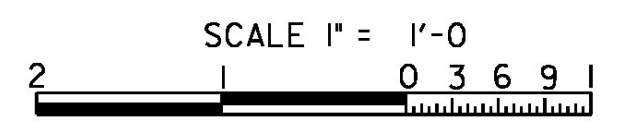
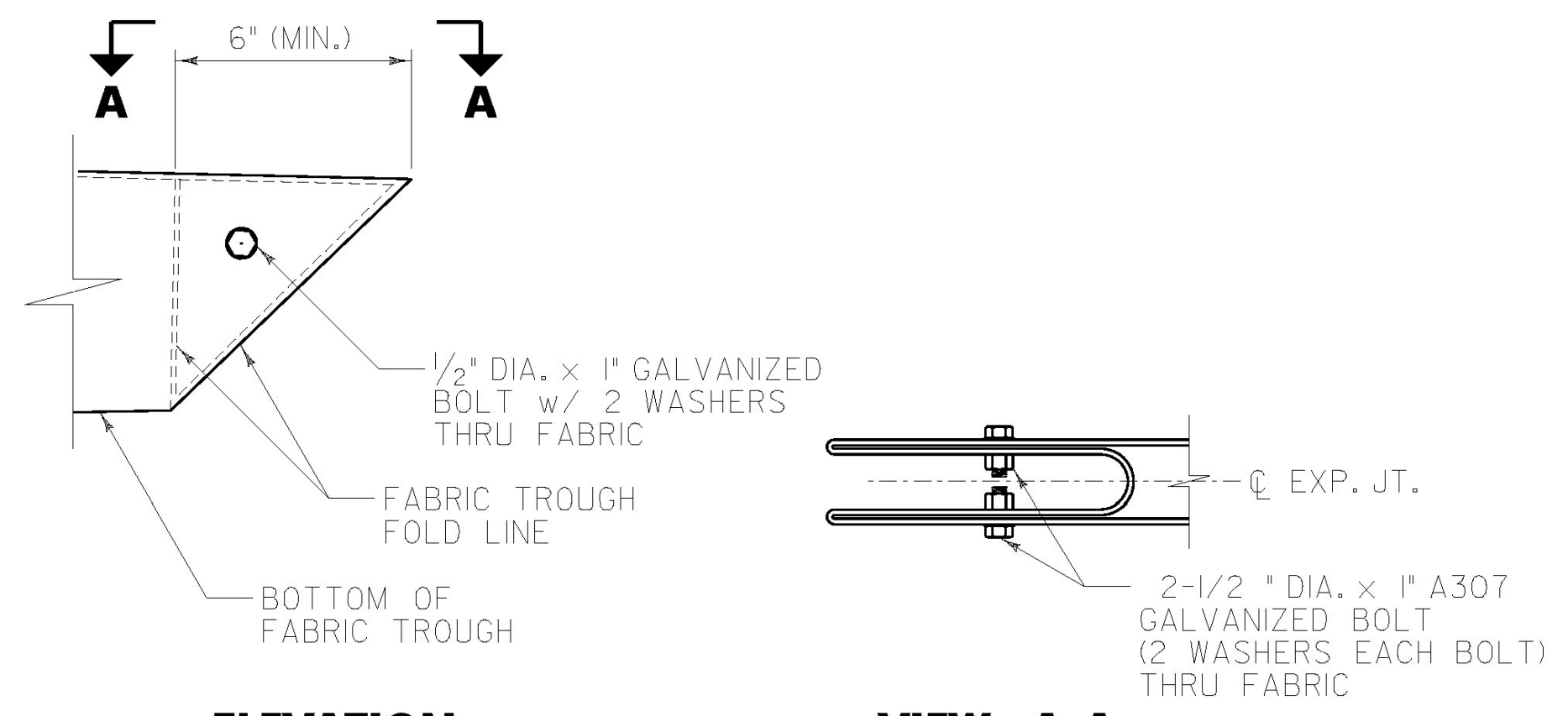
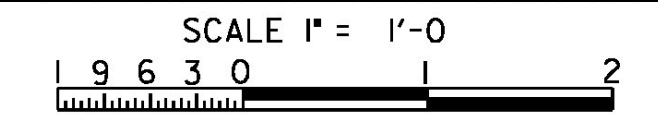


ABUTMENT 2 - DOWNSPOUT SIDE ELEVATION



ABUTMENT 2 - DOWNSPOUT FRONT ELEVATION



ELEVATION
VIEW A-A
FOLDED TROUGH END DETAILS
NOT TO SCALE

NOTE:
1. FOR THROUGH CUTOUT AND BRACKET DETAILS, REFER TO SHEET 37.

STATE OF VERMONT AGENCY OF TRANSPORTATION			
Town Of	PUTNEY	Bridge No.	19A
Highway No.	U.S. ROUTE 5	Log Sta.	
		Surv. Sta.	
U.S. ROUTE 5 OVER I-91			
DOWNSPOUT DETAILS 2			
Designed By	T. KNIGHT	Drawn By	R. WALKER
Checked By	Date	Bridge Design Supervisor	
T. KNIGHT	06/09	G. BOGUE	Date 06/09
PROJECT	PUTNEY	PROJECT NO.	NH F019-(15)
CAD Drawing Name:	...Plot Files\38 293810.dwg 7/8/2009		
Bridge Sheet No.	Sheet 38 of 75		

