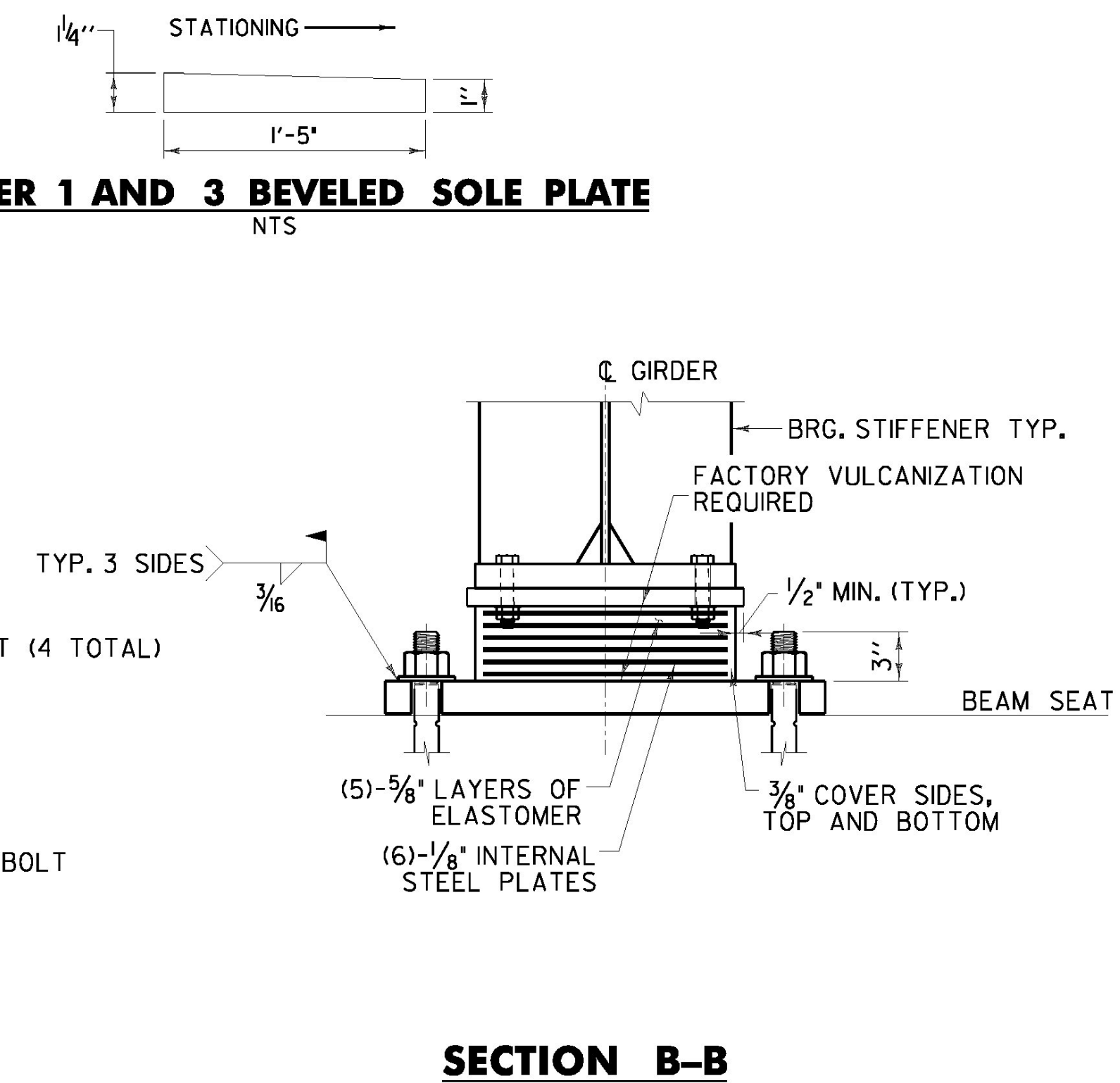
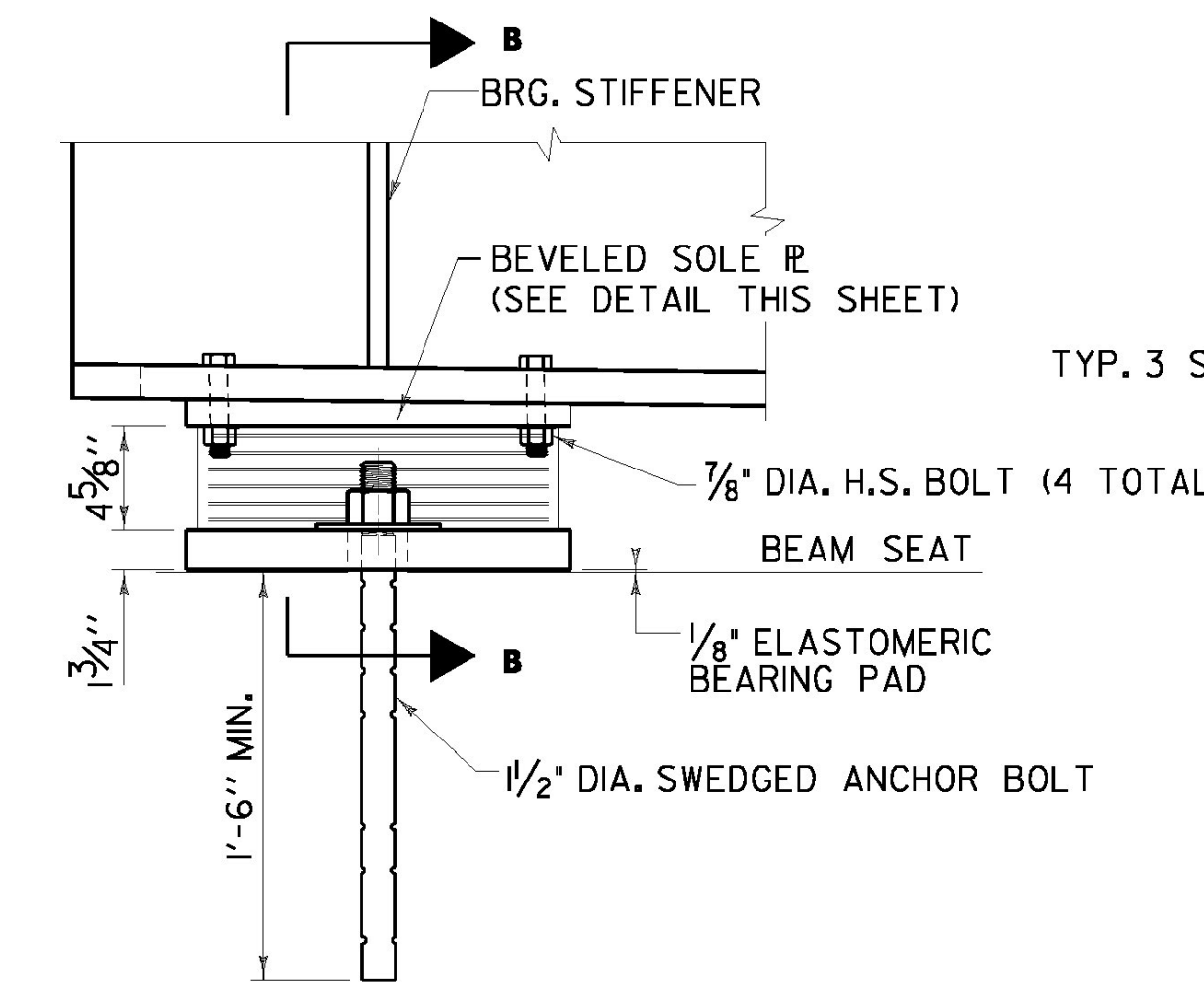
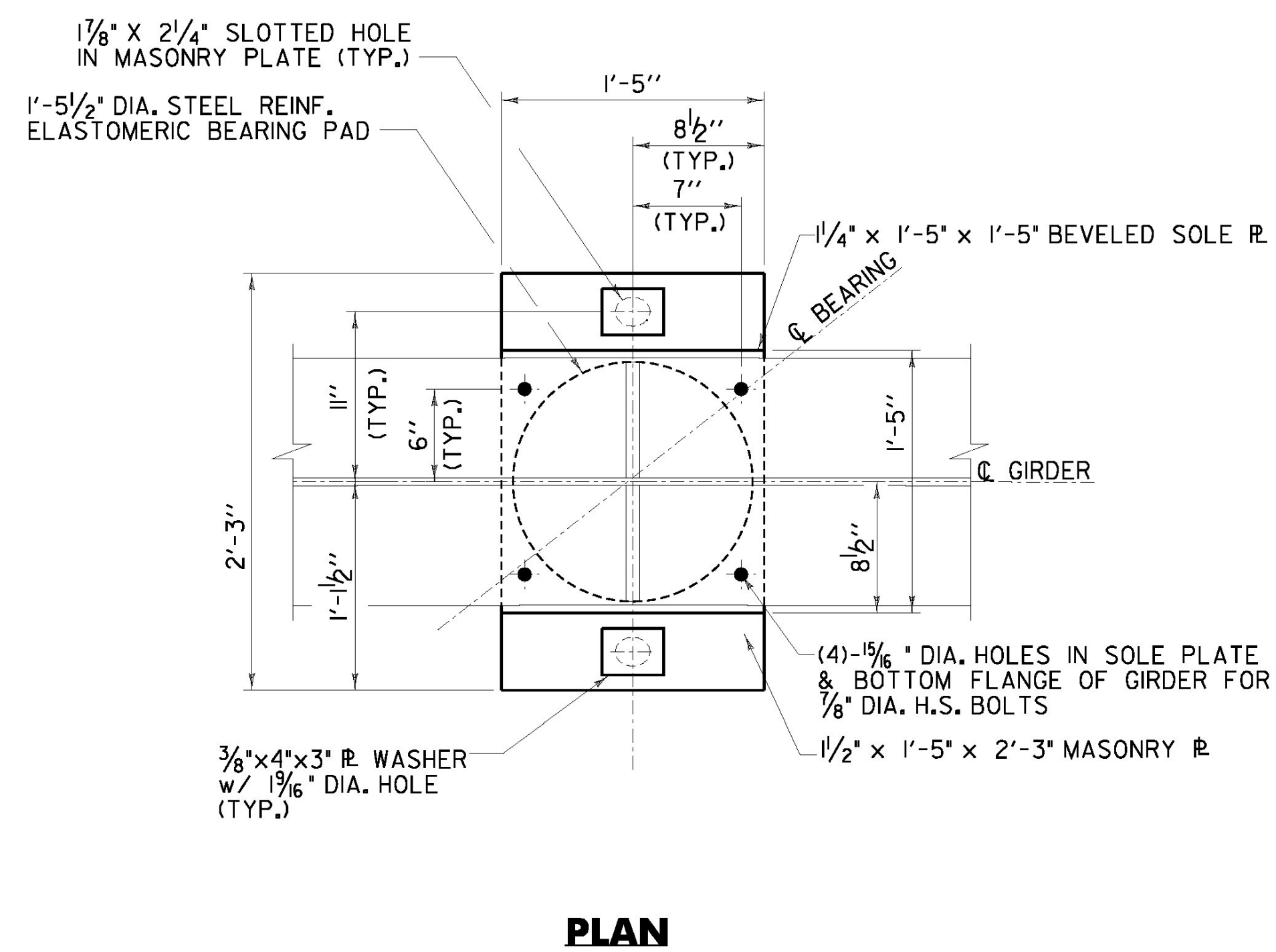


ELEVATION
EXPANSION BEARINGS - ABUTMENTS
 ABUT. 1 SHOWN (ABUT. 2 SIMILAR)



ELEVATION
EXPANSION BEARINGS - PIERS 1 AND 3
 PIER 3 SHOWN (PIER 1 SIMILAR)

NOTES:
 1. FOR BEARING NOTES, REFER TO SHEET XX.
 SHEET SCALE: 1/2" = 1'-0" U.N.O.

STATE OF VERMONT AGENCY OF TRANSPORTATION		
Town Of	PUTNEY	Bridge No. 19A
Highway No.	U.S. ROUTE 5	Log Sta. Surv. Sta.
U.S. ROUTE 5 OVER I-91		
EXPANSION BEARING DETAILS		
Designed By	T. KNIGHT	Drawn By T. KNIGHT
Checked By	Date	Bridge Design Supervisor
G. BOGUE	06/09	G. BOGUE Date 06/09
PROJECT	PUTNEY	PROJECT NO. NH F019-1(5)
CAD Drawing Name:	...33 z93a148brgs_d012.pd	Date: 7/8/2009
Bridge Sheet No.	Sheet 33 of 75	

