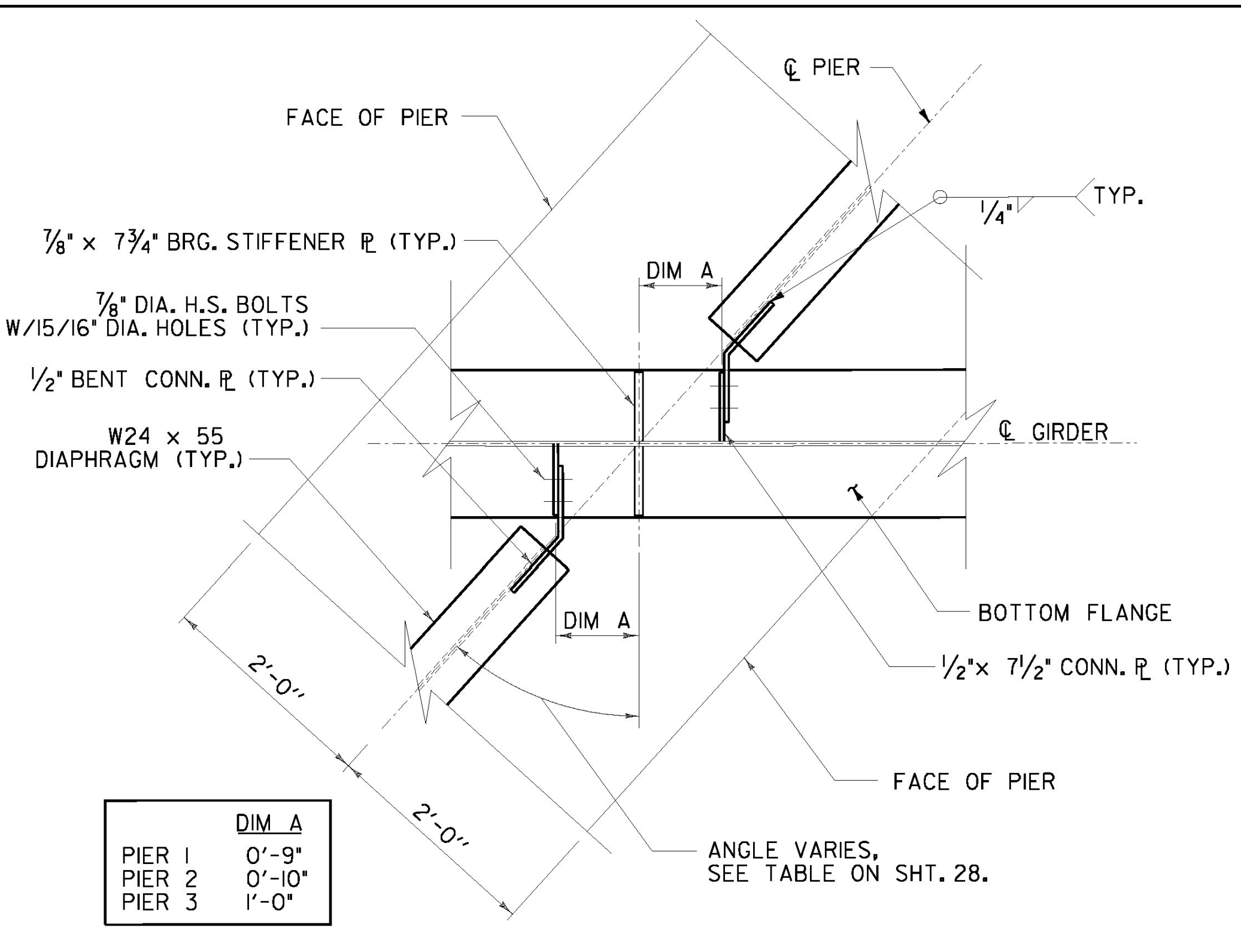
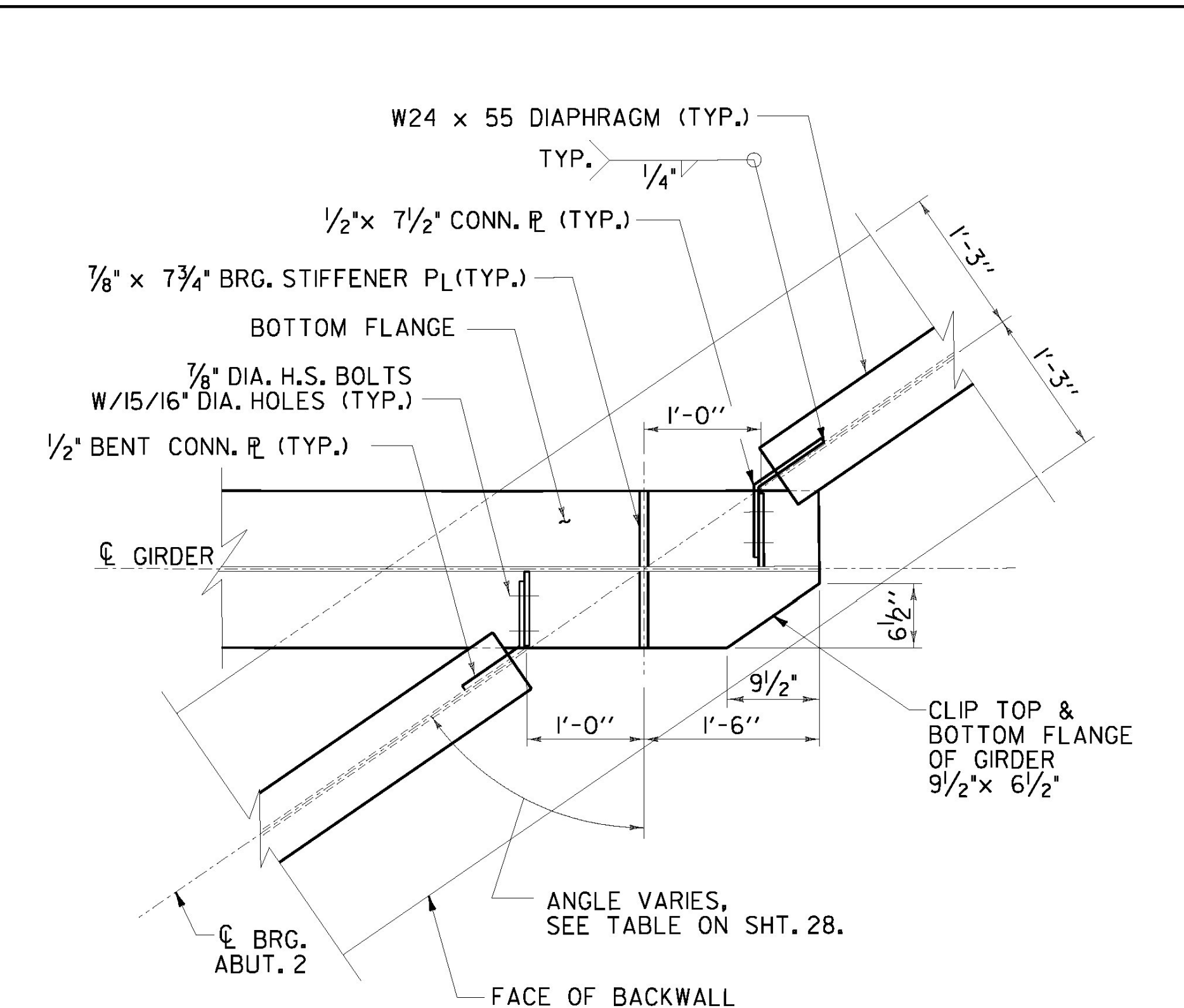


PARTIAL PLAN ABUT. 1 DIAPHRAGM
1" = 1'-0"

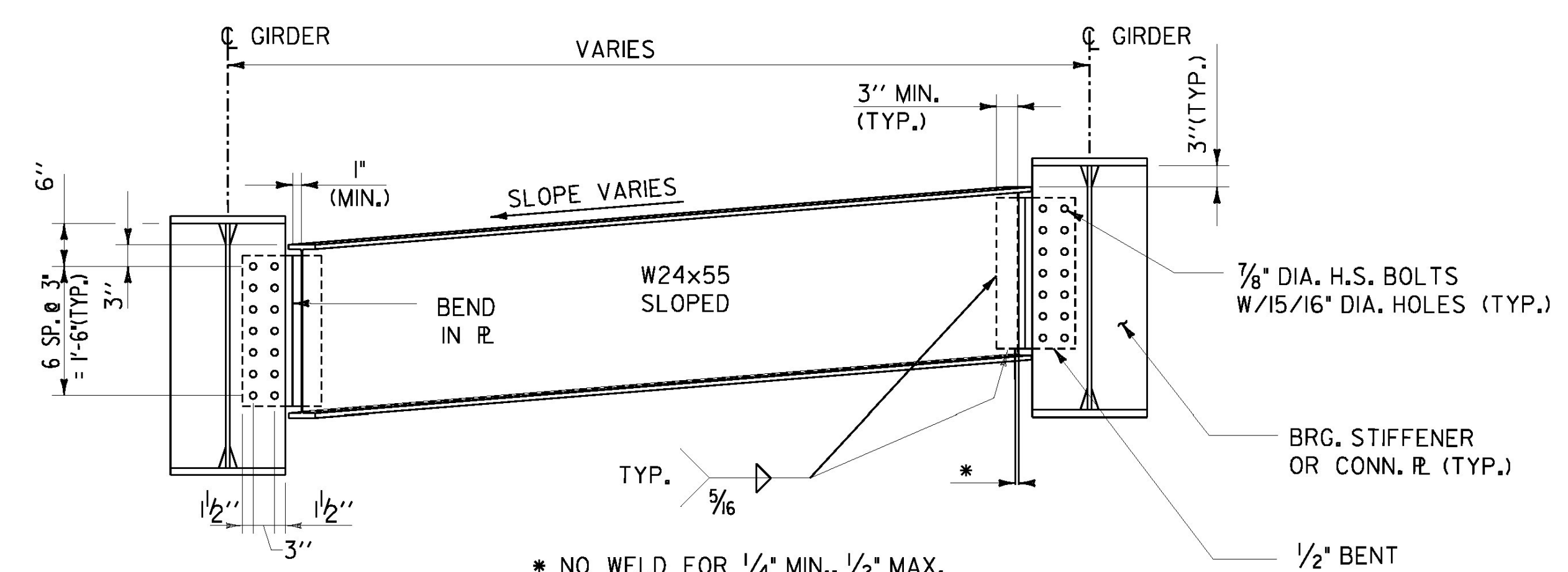


DIM. A	
PIER 1	0'-9"
PIER 2	0'-10"
PIER 3	1'-0"

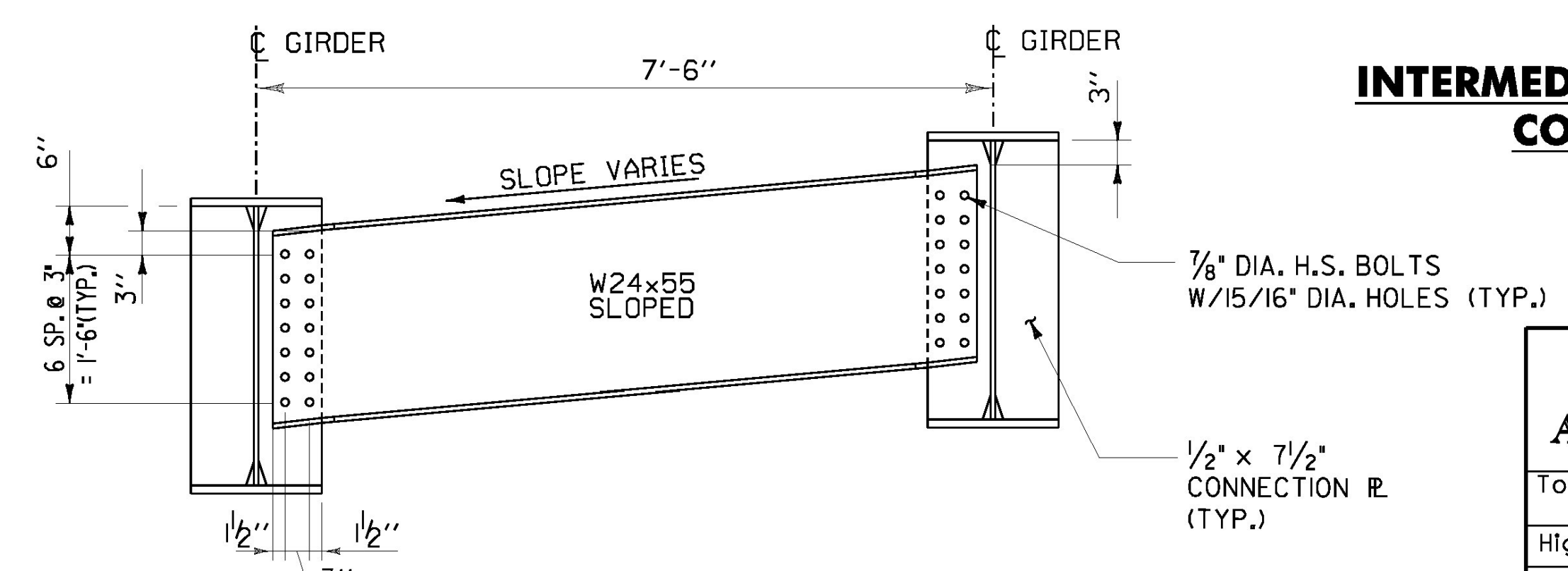
PARTIAL PLAN PIER DIAPHRAGM
1" = 1'-0"



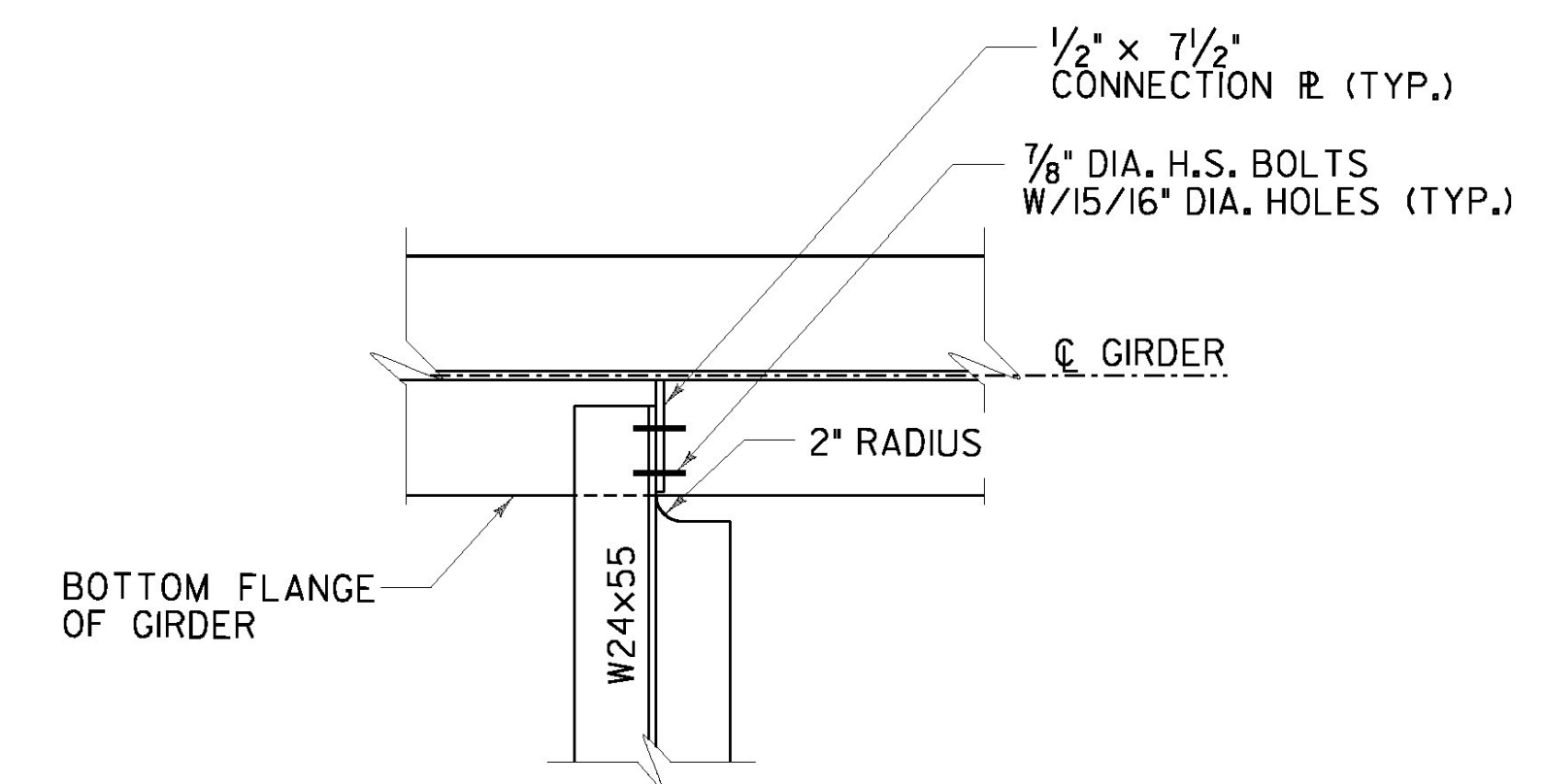
PARTIAL PLAN ABUT. 2 DIAPHRAGM
1" = 1'-0"



ABUTMENT AND PIER DIAPHRAGM
3/4" = 1'-0"



INTERMEDIATE DIAPHRAGM
3/4" = 1'-0"



INTERMEDIATE DIAPHRAGM CONNECTION
1" = 1'-0"

STATE OF VERMONT AGENCY OF TRANSPORTATION		
Town Of	PUTNEY	Bridge No. 19A
Highway No.	U.S. ROUTE 5	Log Sta. Surv. Sta.
U.S. ROUTE 5 OVER I-91		
GIRDER DETAILS 3		
Designed By	G. BOGUE	Drawn By R. WALKER
Checked By	T. KNIGHT	Bridge Design Supervisor
Date	06/09	Date 06/09
PROJECT	PUTNEY	PROJECT NO. NH F019-1(5)
CAD Drawing Name:	... \Plot Files\312930\B001.dwg 7/8/2009	
Bridge Sheet No.	Sheet 31 of 75	

