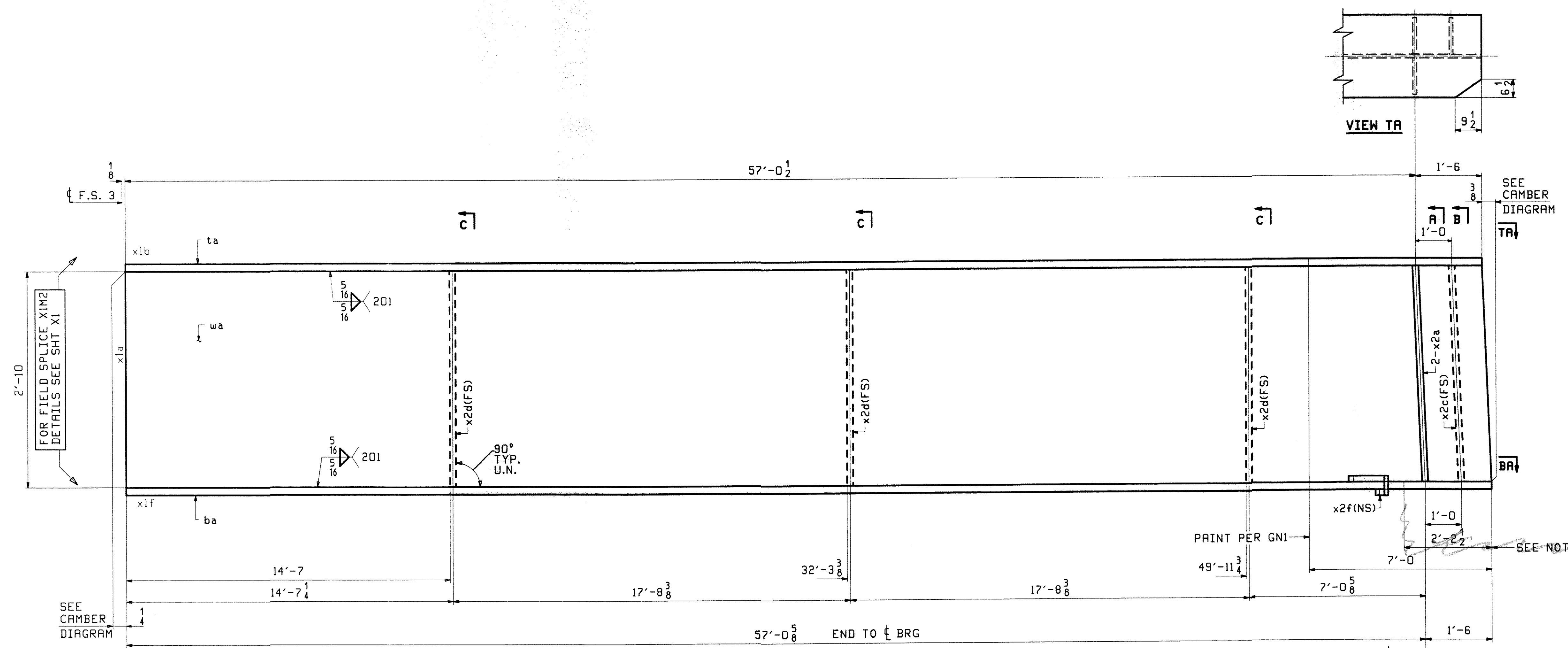
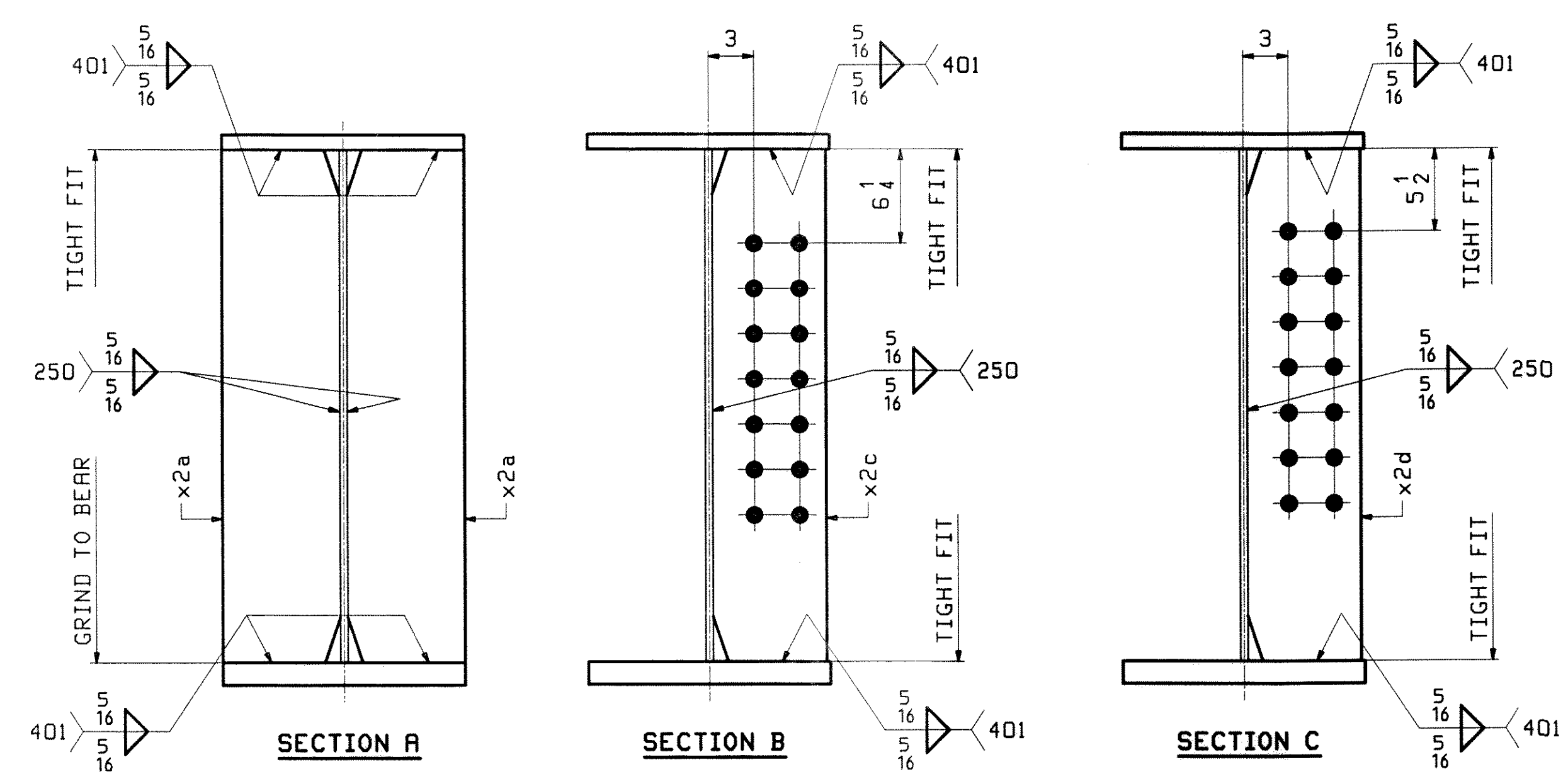
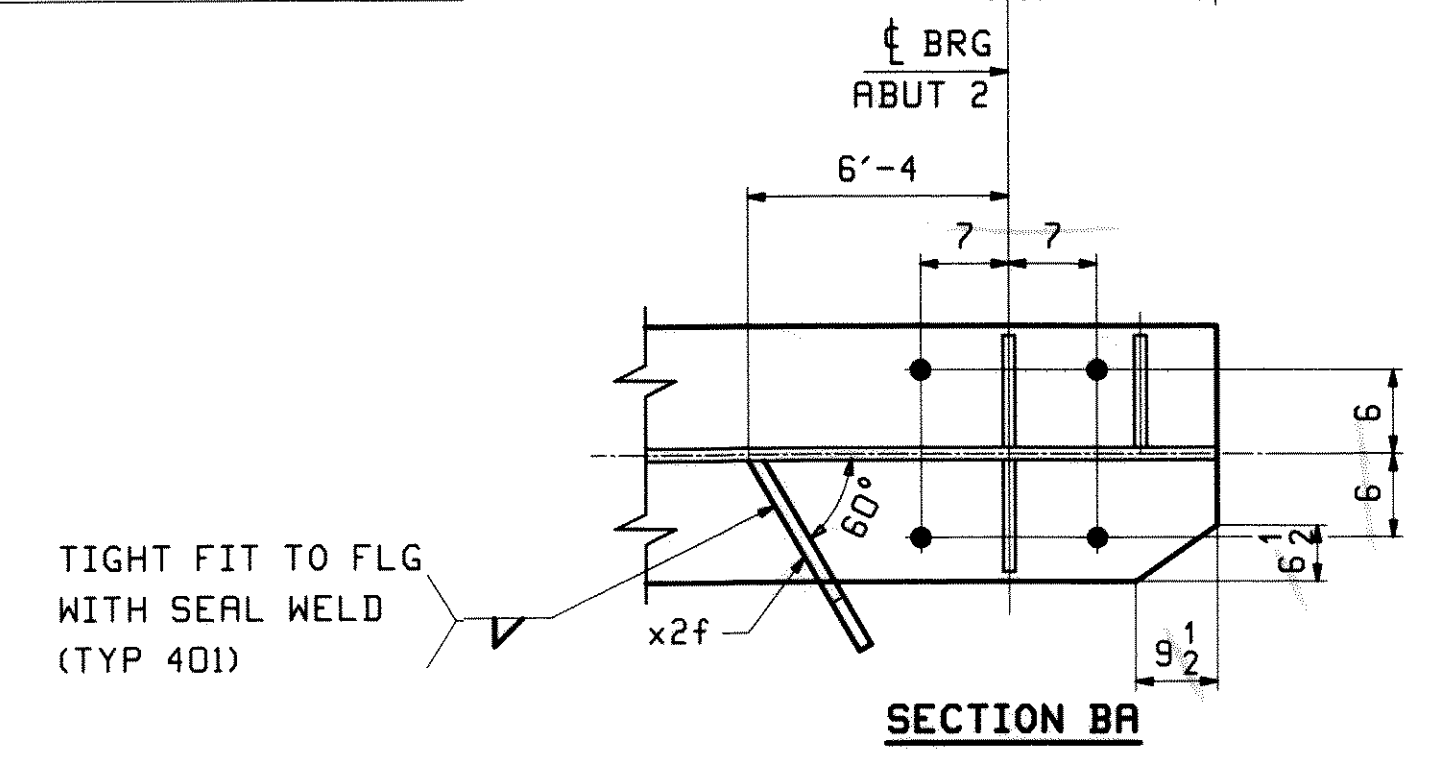
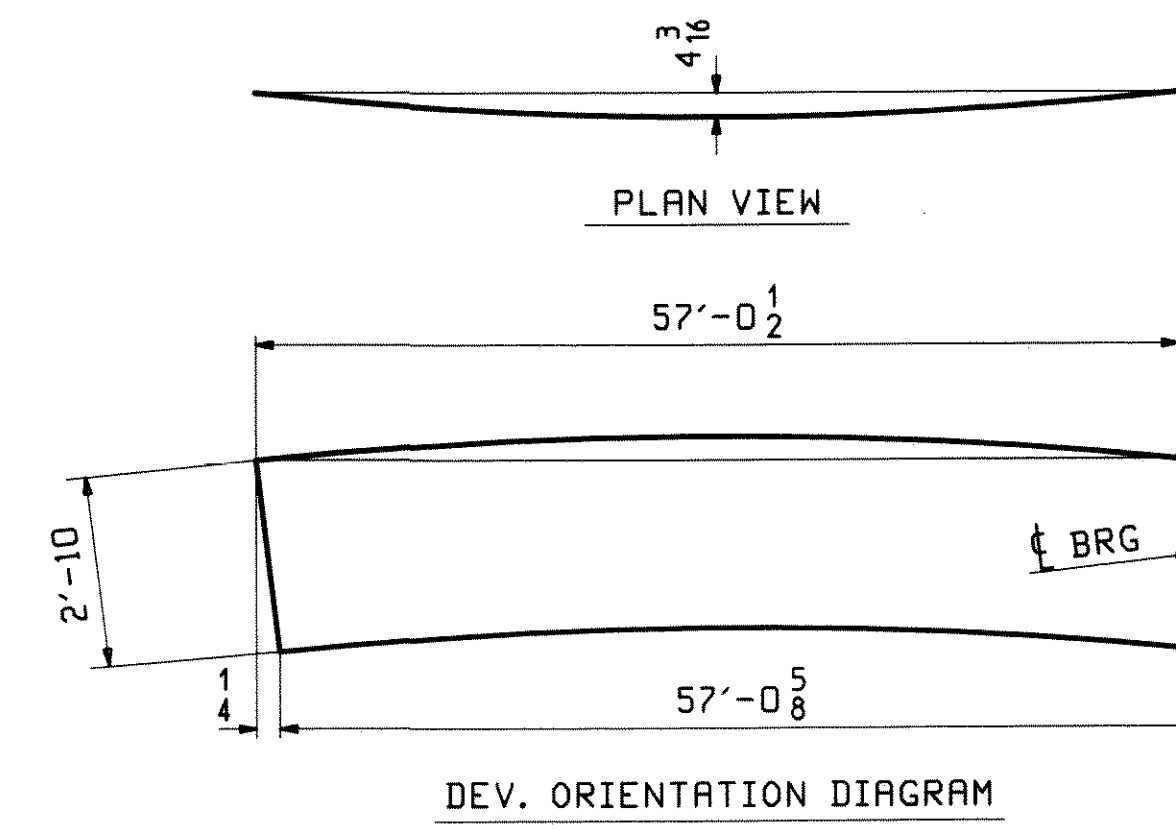


ABM INFO		SHIP	BILL OF MATERIAL				JOB NO.	DRAWING
PAGE	LINE	MARK	QTY	MARK	MATERIAL	LENGTH FT INCHES	REMARKS	WT
		20G5D	1		GIRDER			11635
4	S		1	wa	PL- $\frac{1}{2}$ x34	58'- $\frac{7}{8}$	M270-50WT2	
2	H		1	ta	PL-1x16	58'- $\frac{1}{2}$	M270-50WT2	
1	J		1	ba	PL- $\frac{1}{2}$ x16	58'- $\frac{5}{8}$	M270-50WT2	
6	K		2	x2a	PL- $\frac{7}{8}$ x $\frac{3}{4}$	2'-10"	MIE	
6	L		1	x2c	PL- $\frac{1}{2}$ x $\frac{7}{2}$	2'-10"		
6	L		3	x2d	PL- $\frac{1}{2}$ x $\frac{7}{2}$	2'-10"		
6	N		1	x2f	PL- $\frac{1}{4}$ x $\frac{3}{2}$	0'-11 $\frac{1}{8}$ "		



NOTE A:  
NO PAINT BOTTOM AND EDGES OF BOTTOM FLANGE

**ONE - GIRDER - 20G5D (DEV)**  
 FOR FIELD SPLICE & STANDARD DETAILS SEE X SHEETS  
 FOR CAMBER DIAGRAM SEE SHEET C2  
 FOR FLANGE DIAGRAM SEE SHEET F1  
 FOR GENERAL NOTES SEE SHEET GN1



DATE: 2/7/10  
 SIGNATURE: [Signature]  
 TITLE: [Title]

REV.	DATE	REMARKS	DWN	CHK	APVL
0					
MATERIAL:		M270-50W (UN)	SURFACE PREP. & PAINT:		SEE GNI
DESCRIPTION:		GIRDER - 20G5D			
CASCO BAY STEEL STRUCTURES, INC. 75 SPRING HILL ROAD SACO, MAINE 04072 PHONE (207) 282-7360 FAX (207) 282-1179					
STRUCTURE: U.S. 5 over I-91 Bridge No. 19A Putney County of Windham					DRAWN: WJF
LOCATION: Putney					CHKD: DO
PROJ NO. IM 091-1(31)					JOB NO. 438
CUSTOMER: VT AOT					