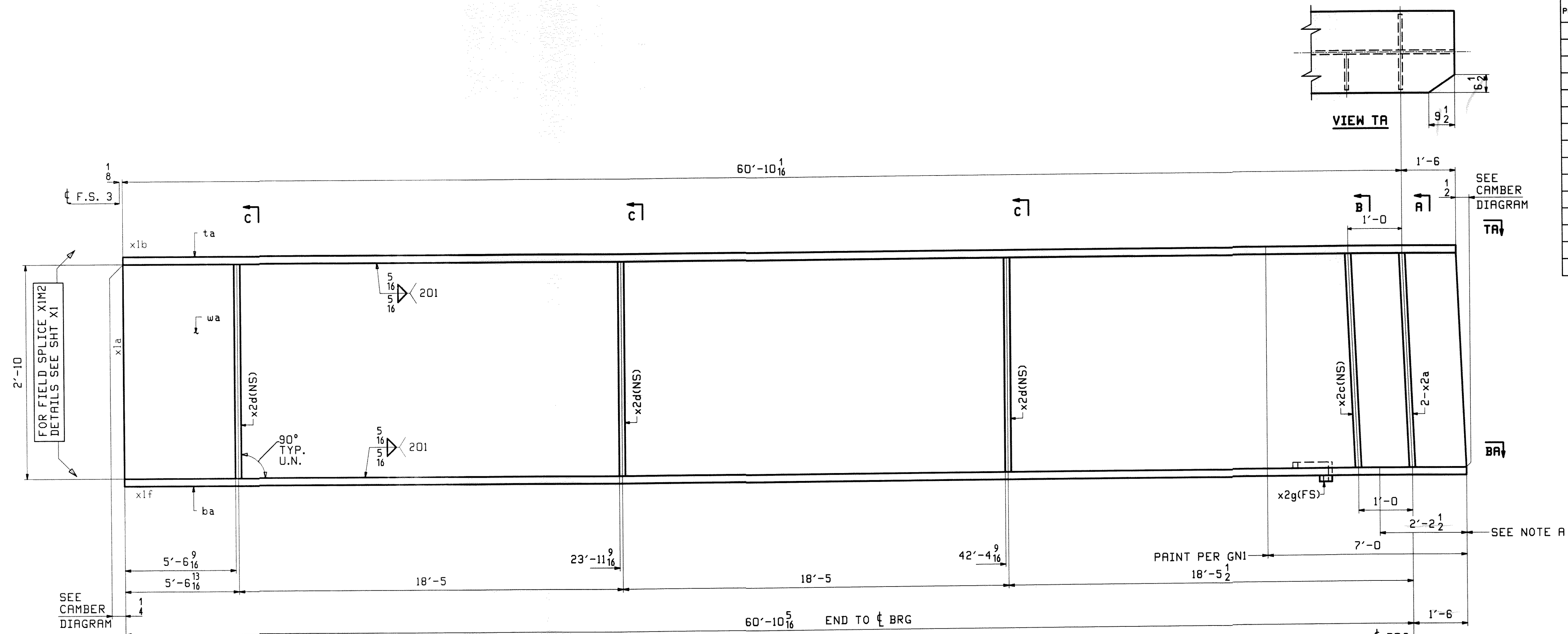


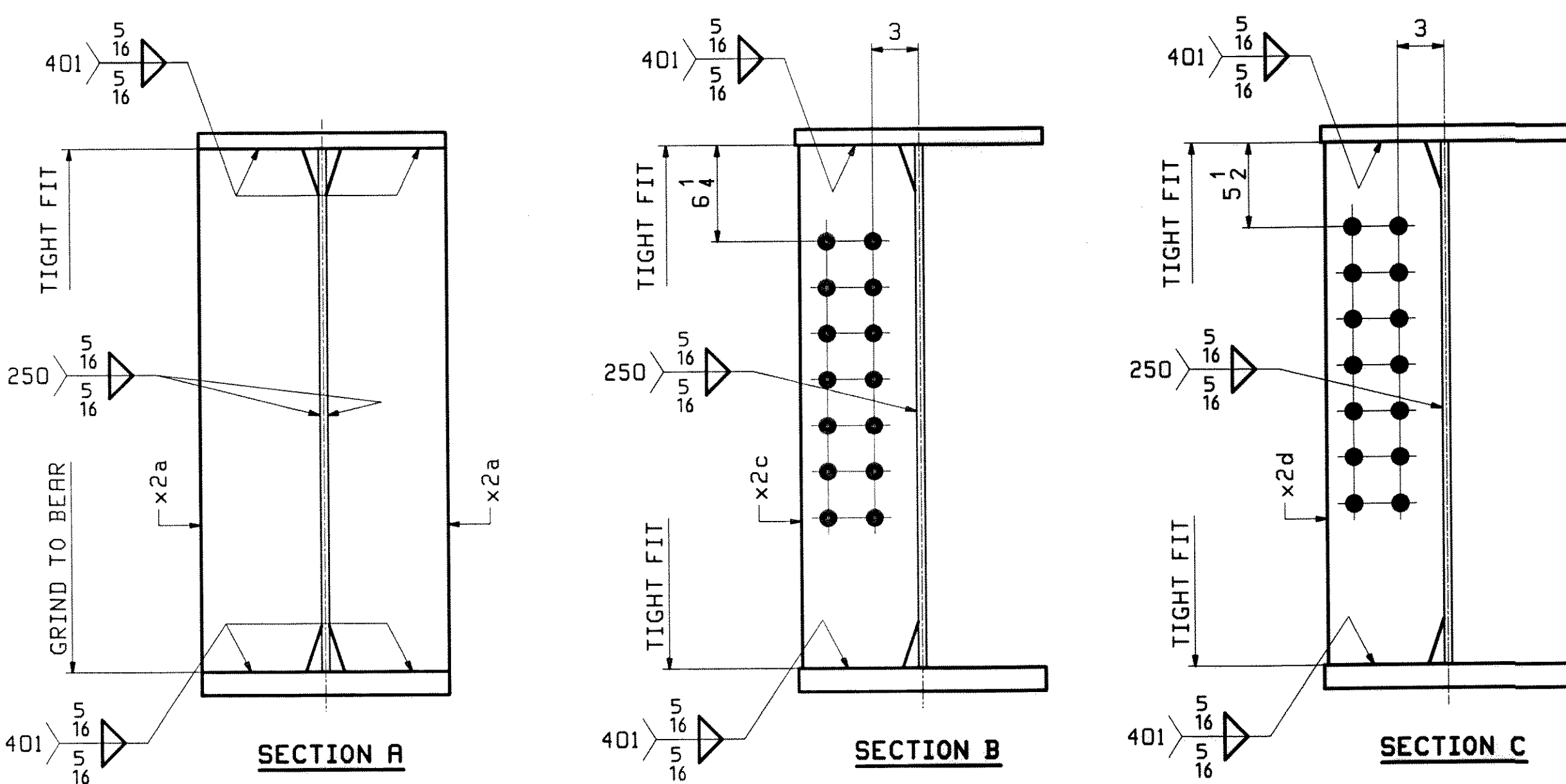
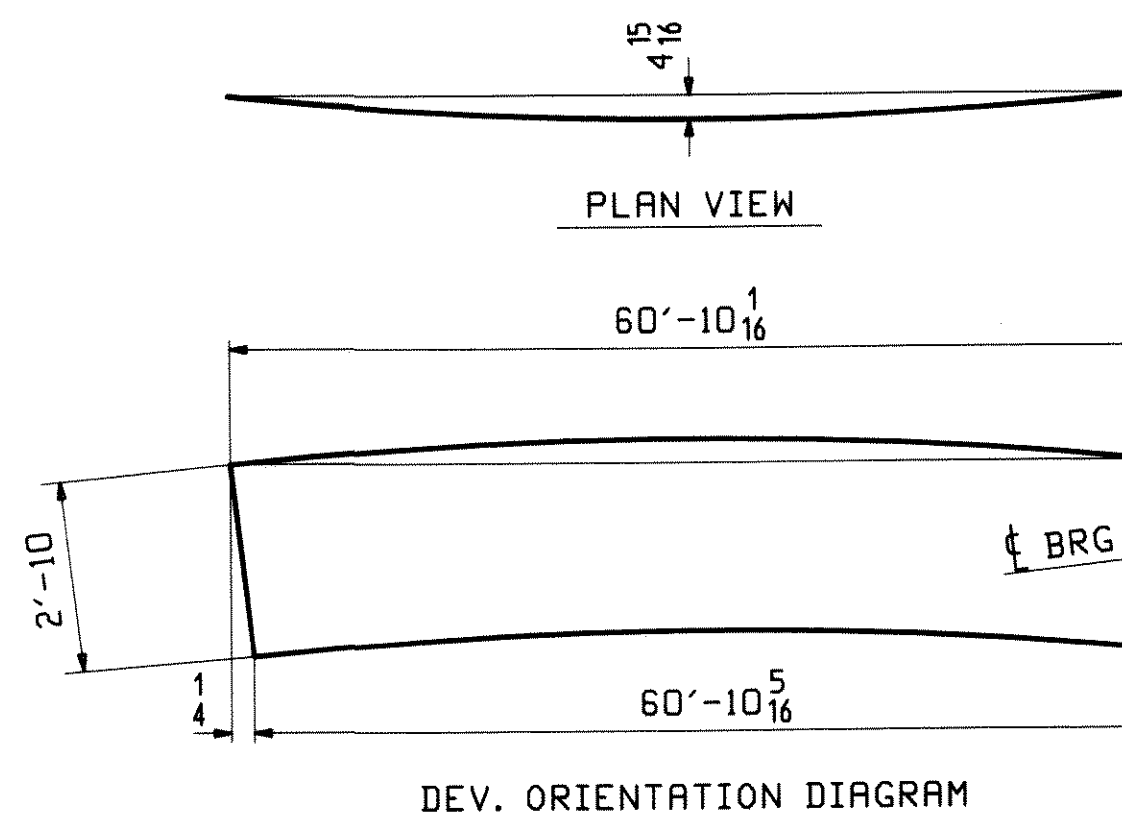
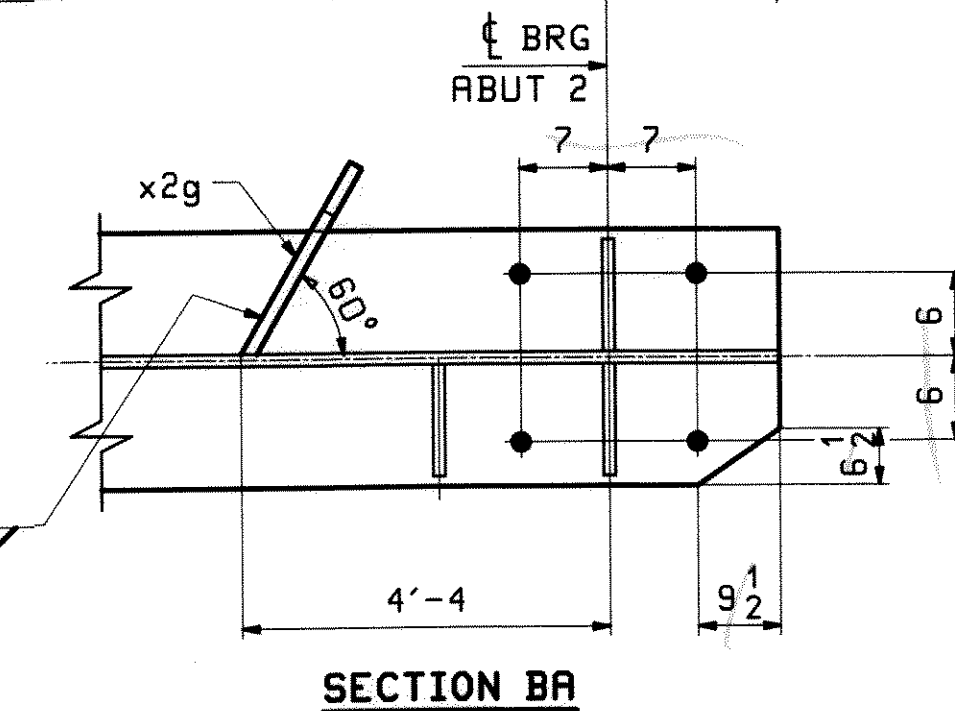
ABM INFO		BILL OF MATERIAL				JOB NO.	DRWING
						438	16
PAGE	LINE	MARK	QTY	MARK	MATERIAL	LENGTH FT INCHES	REMARKS
		16G1D	1		GIRDER		12373
4	J		1	wa	PL $\frac{1}{2}$ x 34	82 $\frac{4}{16}$	M270-SQHT2
2	N		1	ta	PL 1 x 18	62 $\frac{4}{16}$	M270-SQHT2
1	A		1	ba	PL $\frac{1}{2}$ x 15	62 $\frac{4}{16}$	M270-SQHT2
6	K		2	x2a	PL $\frac{7}{8}$ x 7 $\frac{1}{4}$	2 $\frac{10}{16}$	MIC
6	L		1	x2c	PL $\frac{1}{2}$ x 7 $\frac{1}{2}$	2 $\frac{10}{16}$	
6	L		3	x2d	PL $\frac{1}{2}$ x 7 $\frac{1}{2}$	2 $\frac{10}{16}$	
6	N		1	x2g	PL $\frac{1}{2}$ x 3 $\frac{1}{2}$	0 $\frac{11}{16}$	



ONE - GIRDER - 16G1D (DEV)

FOR FIELD SPLICE & STANDARD DETAILS SEE X SHEETS
 FOR CAMBER DIAGRAM SEE SHEET C2
 FOR FLANGE DIAGRAM SEE SHEET F1
 FOR GENERAL NOTES SEE SHEET GN1

TIGHT FIT TO FLG WITH SEAL WELD (TYP 401)



NOTE A:
NO PAINT BOTTOM AND EDGES OF BOTTOM FLANGE.

FOR OFFICIAL USE ONLY

DATE: 2/9/10

SIGNATURE: [Signature]

REV.	DATE	REMARKS	DWN	CHK	APVL
0					
MATERIAL:		SURFACE PREP. & PRINT:		HOLES:	
M270-SQW (UN)		SEE GN1		15/16" Ø U.N.	
DESCRIPTION: GIRDER - 16G1D					
CASCO BAY STEEL STRUCTURES, INC. 75 SPRING HILL ROAD SACO, MAINE 04072 PHONE (207) 282-7360 FAX. (207) 282-1179					
STRUCTURE: U.S. 5 over I-91 Bridge No. 19A Putney County of Windham					DRAWN: WJF CHKD: DO
LOCATION: Putney		JOB NO.			
PROJ NO. IM 091-1(31)		JOB NO.		438	
CUSTOMER: VT AOT					