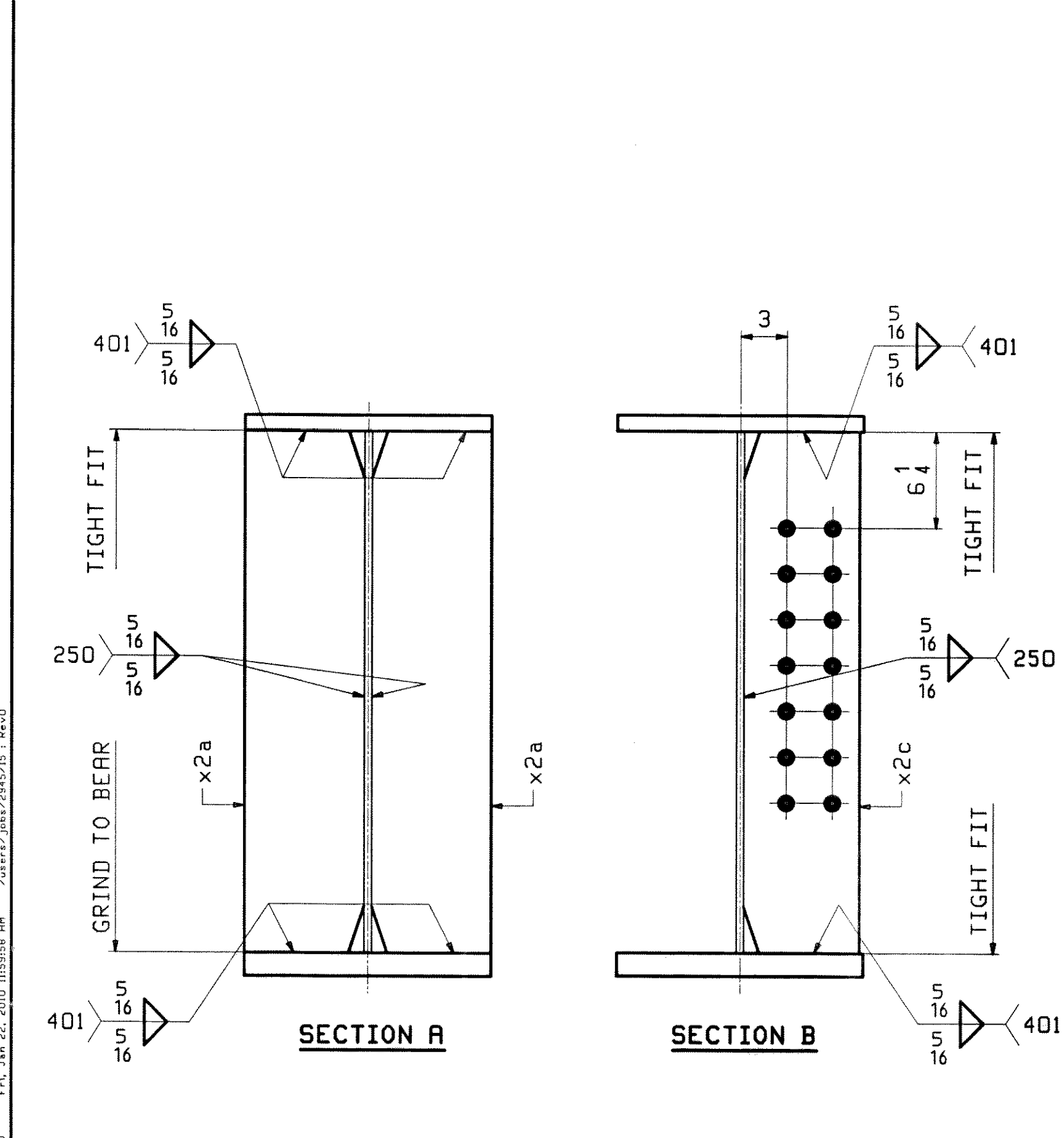
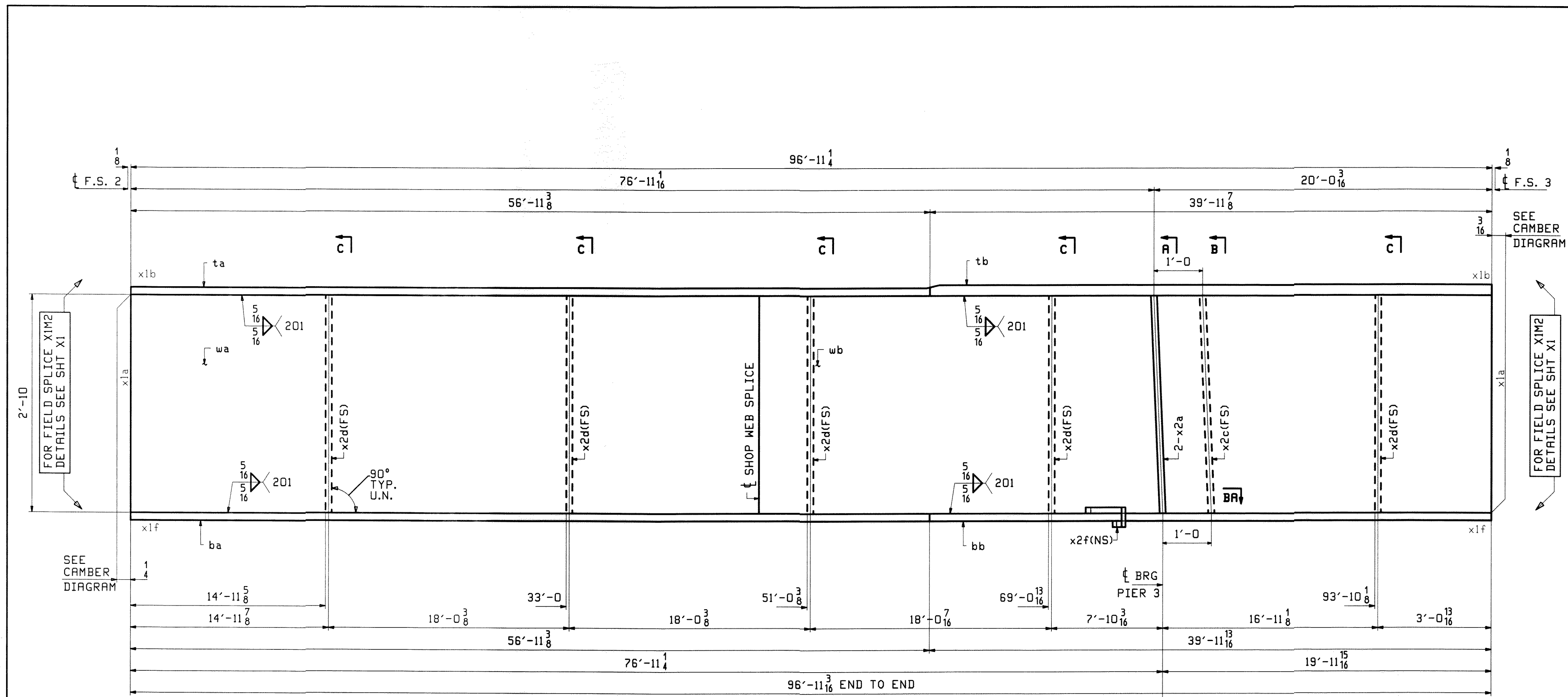
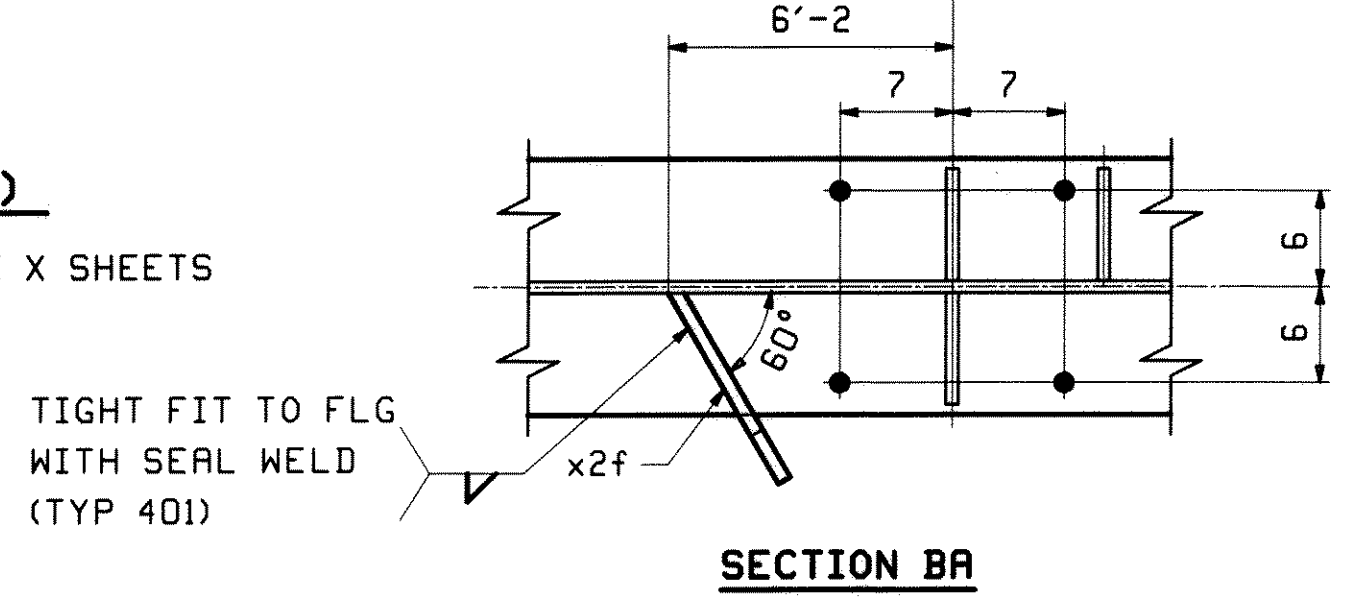


ABM INFO		BILL OF MATERIAL				JOB NO.	DRAWING	
PAGE	LINE	MARK	QTY	MARK	MATERIAL	LENGTH FT INCHES	REMARKS	WT
		15G5C	1		GIRDER			2024
5	J		1	wa	PL 1/2 x 34	46 11/8	M270-50WT2	
4	Y		1	wb	PL 1/2 x 34	49 11/8	M270-50WT2	
3	A		1	ta	PL 1 x 16	56 11/8	M270-50WT2	
2	L		1	tb	PL 1 1/2 x 16	39 11/8	M270-50WT2	
1	N		1	ba	PL 1 1/2 x 16	56 11/8	M270-50WT2	
2	L		1	bb	PL 1 1/2 x 16	39 11/8	M270-50WT2	
6	K		2	x2a	PL 7/8 x 7 3/4	2 - 10"	MIE	
6	L		1	x2c	PL 1/2 x 7 1/2	2 - 10"		
6	L		5	x2d	PL 1/2 x 7 1/2	2 - 10"		
6	N		1	x2f	PL 1/4 x 3 1/2	0 11/8		

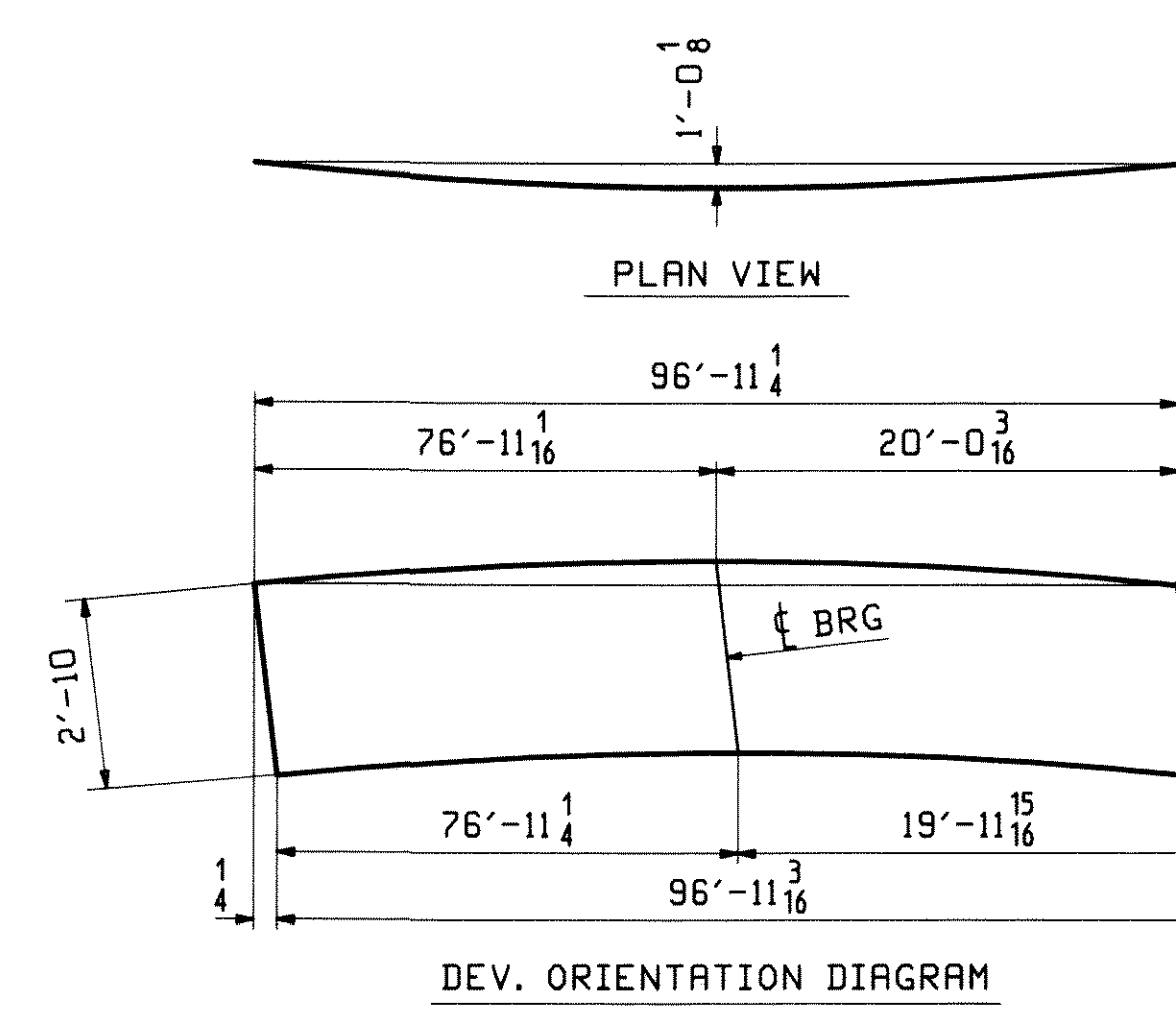


ONE - GIRDER - 15G5C (DEV)

FOR FIELD SPLICE & STANDARD DETAILS SEE X SHEETS
 FOR CAMBER DIAGRAM SEE SHEET C2
 FOR FLANGE DIAGRAM SEE SHEET F3
 FOR GENERAL NOTES SEE SHEET GNI



TIGHT FIT TO FLG WITH SEAL WELD (TYP 401)



REV.	DATE	REMARKS	DWN	CHK	APVL
0					

MATERIAL: M270-50W (UN) SURFACE PREP. & PAINT: SEE GNI HOLES: 15/16" Ø U.N. SHOP P

DESCRIPTION: GIRDER - 15G5C

CASCO BAY STEEL STRUCTURES, INC.
 75 SPRING HILL ROAD SACO, MAINE 04072
 PHONE (207) 282-7360 FAX: (207) 282-1179

STRUCTURE: U.S. 5 over I-91
 Bridge No. 19A
 Putney
 County of Windham

LOCATION: Putney JOB NO. 438
 PROJ NO. IM 091-1(31)
 CUSTOMER: VT ROT

DATE: 2/9/10
 SIGNATURE: [Signature]