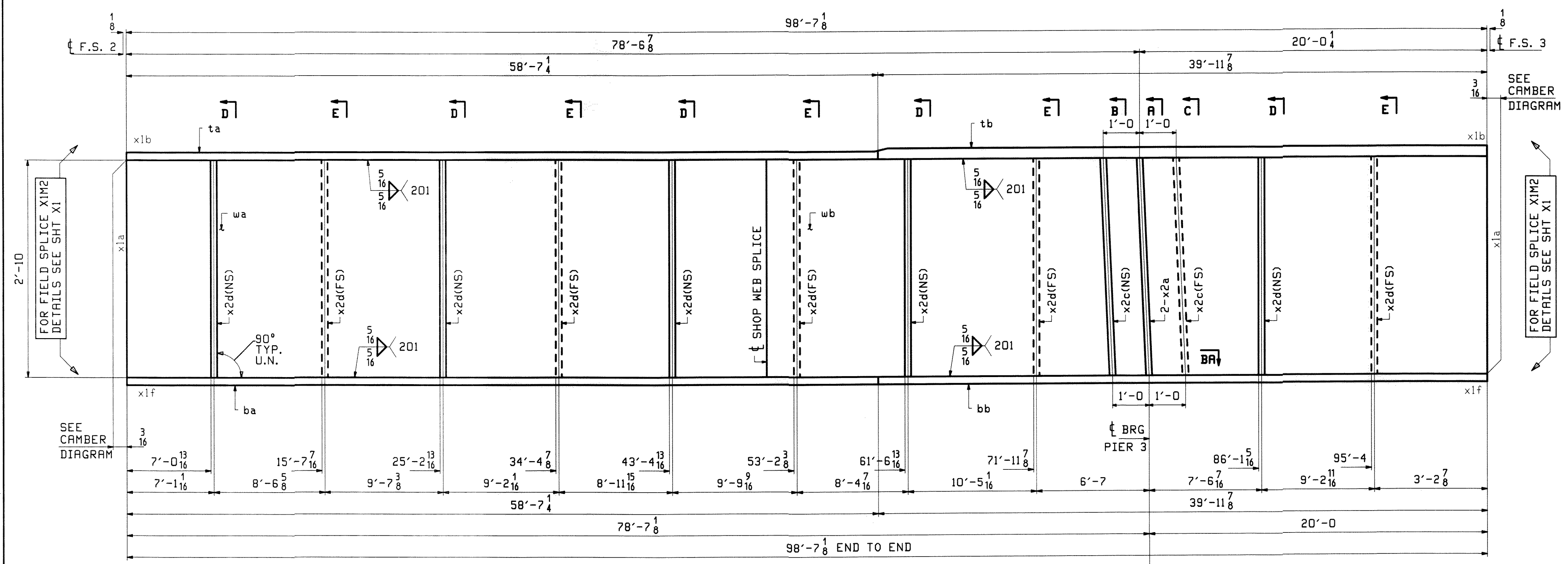
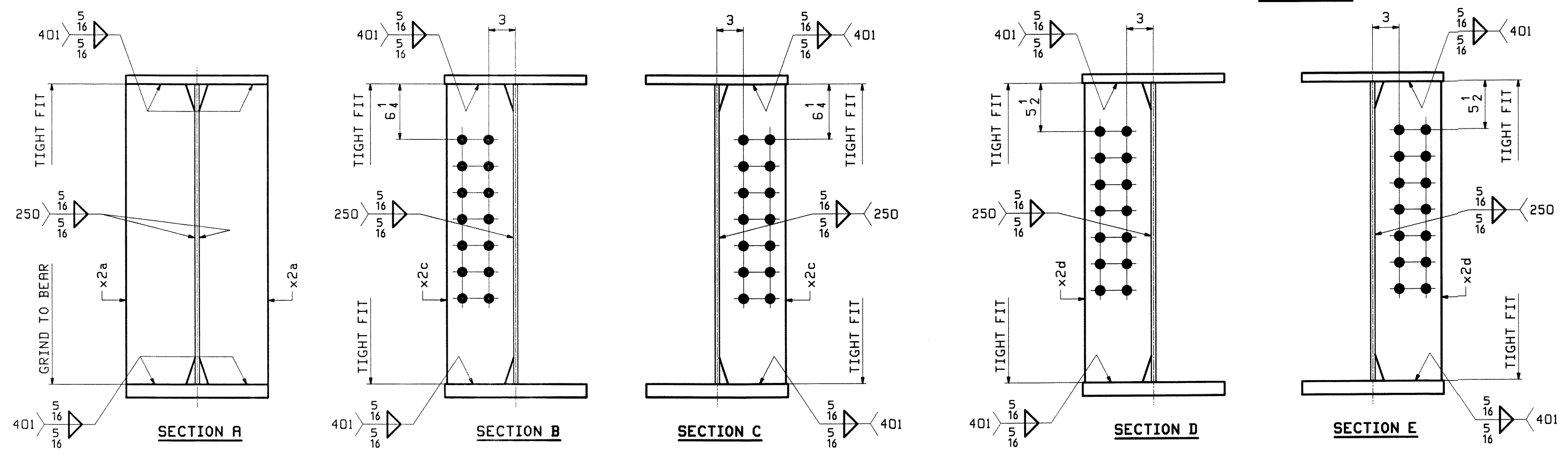
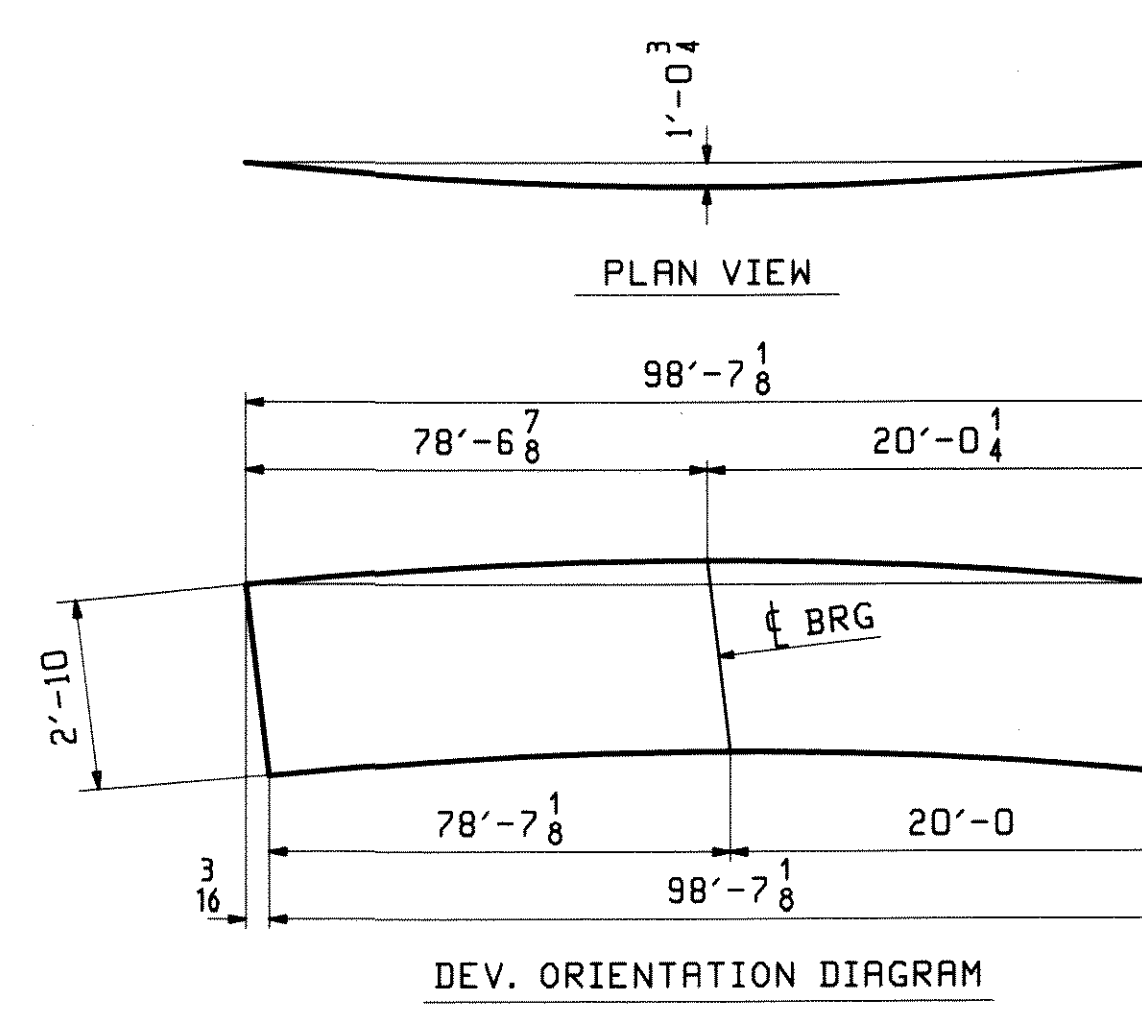
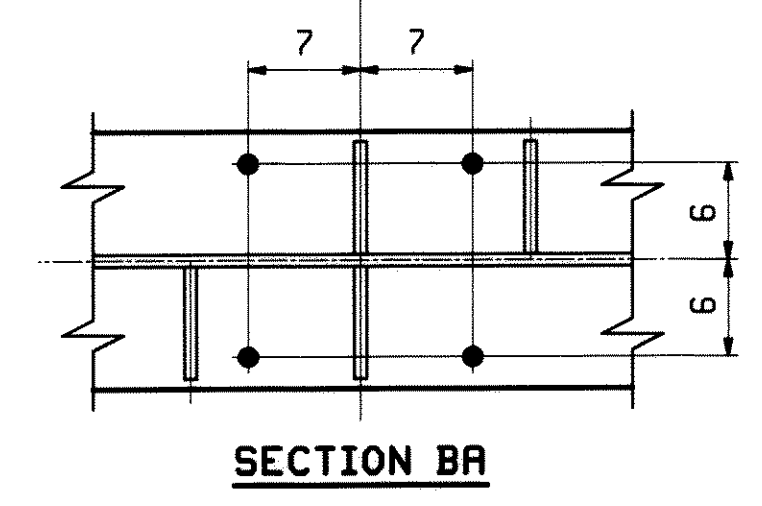


ABM INFO		BILL OF MATERIAL				JOB NO.		DRAWN	
PAGE	LINE	MARK	QTY	MARK	MATERIAL	LENGTH FT	INCHES	REMARKS	WT
		13G3C	1		GIRDER				2077
5	E		1	wa	PL 1/2 x 34	48	7/8	M270-50WT2	
5	C		1	wb	PL 1/2 x 34	50	0	M270-50WT2	
2	W		1	ta	PL 1 x 16	58	7/4	M270-50WT2	
2	L		1	tb	PL 1/2 x 16	39	11/8	M270-50WT2	
1	J		1	ba	PL 1/2 x 16	58	7/4	M270-50WT2	
2	L		1	bb	PL 1/2 x 16	39	11/8	M270-50WT2	
6	K		2	x2a	PL 1/2 x 7 1/2	2	10	MIE	
6	L		2	x2c	PL 1/2 x 7 1/2	2	10		
6	L		10	x2d	PL 1/2 x 7 1/2	2	10		



**ONE - GIRDER - 13G3C (DEV)**

FOR FIELD SPLICE & STANDARD DETAILS SEE X SHEETS  
 FOR CAMBER DIAGRAM SEE SHEET C2  
 FOR FLANGE DIAGRAM SEE SHEET F3  
 FOR GENERAL NOTES SEE SHEET GN1



DATE: 2/1/10  
 SIGNATURE: [Signature]  
 CHECKED BY: [Signature]  
 DESIGNED BY: [Signature]  
 DRAWN BY: [Signature]

REV.	DATE	REMARKS	DWN	CHK	APVL
0					

MATERIAL: M270-50W (UN) SURFACE PREP. & PAINT: SEE GN1 HOLES: 15-16 U.N. SHOP

DESCRIPTION: GIRDER - 13G3C

CASCO BAY STEEL STRUCTURES, INC.  
 75 SPRING HILL ROAD SACO, MAINE 04072  
 PHONE (207) 282-7360 FAX. (207) 282-1179

STRUCTURE: U.S. 5 over I-91  
 Bridge No. 19A  
 Putney  
 County of Windham

LOCATION: Putney  
 PROJ NO. IM 091-1(31)  
 CUSTOMER: VT ROT

DRAWN: WJF  
 CHKD: DO  
 JOB NO: 438