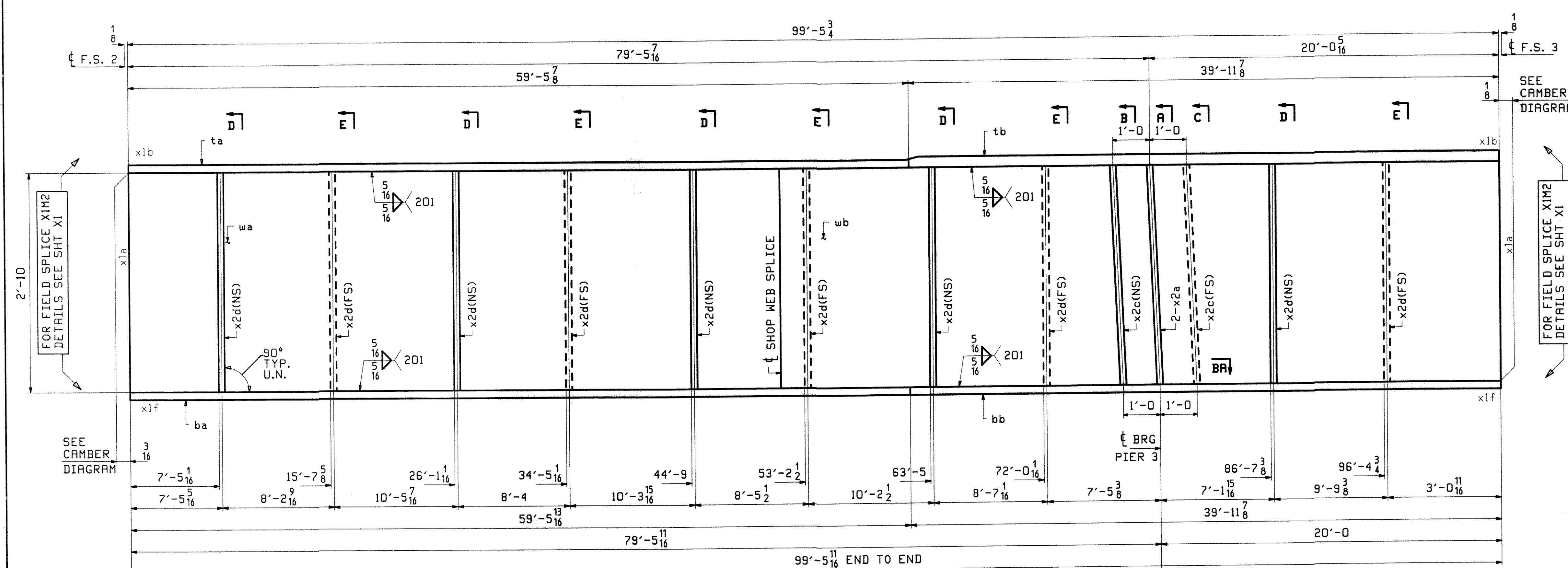
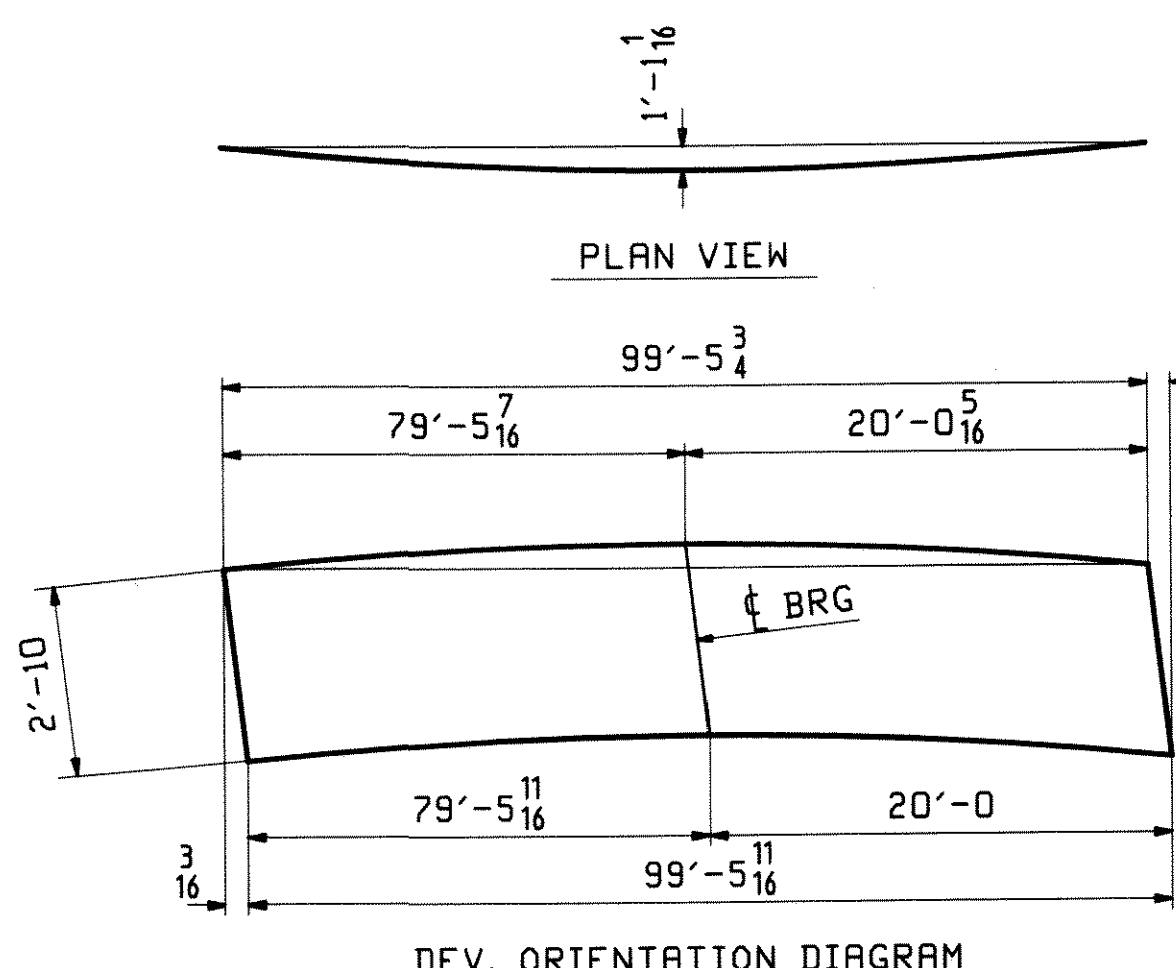
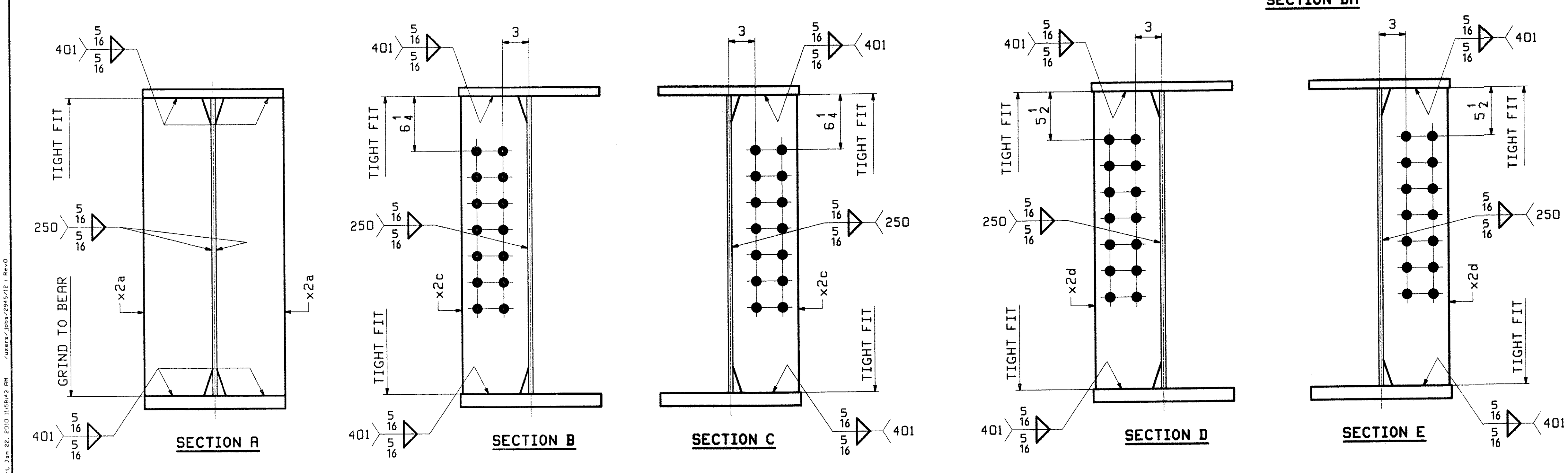
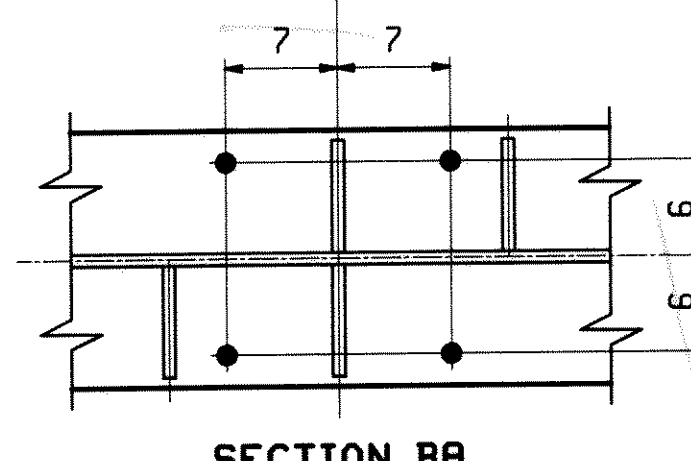


ABM INFO		BILL OF MATERIAL				JOB NO.	DRAWING NO.
PAGE	LINE	MARK	QTY	MARK	MATERIAL	REMARKS	WT
		12G2C	1		GIRDER		20945
5	A		1	wa	PL $\frac{1}{2}$ x 34	M270-50HT2	
5	C		1	wb	PL $\frac{1}{2}$ x 34	M270-50HT2	
2	U		1	ta	PL 1 x 16	M270-50HT2	
2	L		1	tb	PL $\frac{1}{2}$ x 16	M270-50HT2	
1	G		1	ba	PL $\frac{1}{2}$ x 16	M270-50HT2	
2	L		1	bb	PL $\frac{1}{2}$ x 16	M270-50HT2	
6	K		2	x2a	PL $\frac{7}{8}$ x 7 $\frac{1}{2}$	MIE	
6	L		2	x2c	PL $\frac{1}{2}$ x 7 $\frac{1}{2}$		
6	L		10	x2d	PL $\frac{1}{2}$ x 7 $\frac{1}{2}$		



**ONE - GIRDER - 12G2C (DEV)**  
 FOR FIELD SPLICE & STANDARD DETAILS SEE X SHEETS  
 FOR CAMBER DIAGRAM SEE SHEET C2  
 FOR FLANGE DIAGRAM SEE SHEET F3  
 FOR GENERAL NOTES SEE SHEET GN1



REV.	DATE	REMARKS	DWN	CHK	APVL
0					

MATERIAL: M270-50W (UN) SURFACE PREP. & PAINT: SEE GN1 HOLES: 15/16" Ø U.N. SHOP BO  
 DESCRIPTION: GIRDER - 12G2C  
**CASCO BAY STEEL STRUCTURES, INC.**  
 75 SPRING HILL ROAD SACO, MAINE 04072  
 PHONE (207) 282-7360 FAX. (207) 282-1179  
 STRUCTURE: U.S. 5 over I-91 Bridge No. 19A Putney County of Windham  
 LOCATION: Putney PROJ. NO. IM 091-1(31) CUSTOMER: VT ROT  
 DRAWN: WJF  
 CHKD: DO  
 JOB NO. 438

DATE: 2/9/10  
 SIGNATURE: [Signature]  
 REVIEW BY: [Signature]  
 CHECKED BY: [Signature]  
 DESIGNED BY: [Signature]  
 DRAWN BY: [Signature]